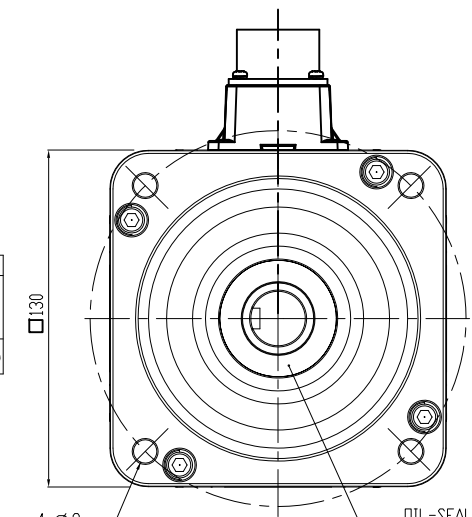
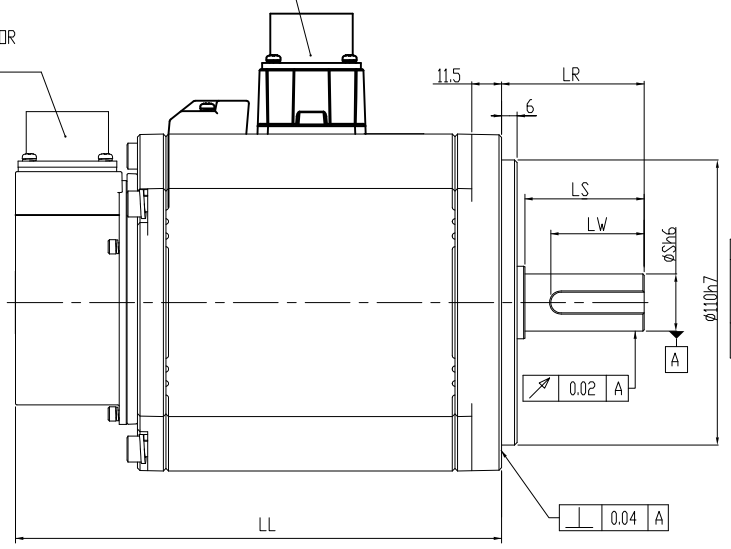


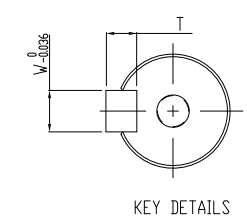
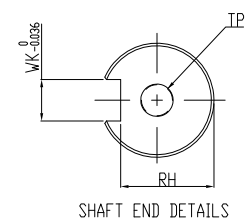
ENCODER CONNECTOR  
MS3102A20-29P

MOTOR CONNECTOR  
MS3102A20-18P



DIMENSION TABLE (MODEL WITH BRAKE)

MODEL	LL	LR	LS	S	LW	WK	W	T	RH	TP		
ECMA-M 1309BS	198.0				---	---	---	---	---	M6, Depth 20		
ECMA-M 1309DS					---	---	---	---	---	---	---	---
ECMA-M 1309FS					36	8	8	7	18	---	---	---
ECMA-M 1309HS					36	8	8	7	18	M6, Depth 20	---	---
ECMA-M 1309QS					---	---	---	---	---	---	---	---
ECMA-M 1309SS	183.5				---	---	---	---	---	M6, Depth 20		
ECMA-K 1310BS					---	---	---	---	---	---	---	---
ECMA-K 1310DS					36	8	8	7	18	---	---	---
ECMA-K 1310FS					36	8	8	7	18	M6, Depth 20	---	---
ECMA-K 1310HS					36	8	8	7	18	M6, Depth 20	---	---
ECMA-K 1310QS	202.0				---	---	---	---	---	M6, Depth 20		
ECMA-K 1310SS					---	---	---	---	---	---	---	---
ECMA-K 1315BS					36	8	8	7	18	---	---	---
ECMA-K 1315DS					36	8	8	7	18	M6, Depth 20	---	---
ECMA-K 1315FS					36	8	8	7	18	---	---	---
ECMA-K 1315HS	216.0				---	---	---	---	---	M6, Depth 20		
ECMA-K 1315QS					---	---	---	---	---	---	---	---
ECMA-K 1315SS					36	8	8	7	18	---	---	---
ECMA-K 1320BS					36	8	8	7	18	M6, Depth 20	---	---
ECMA-K 1320DS					36	8	8	7	18	---	---	---
ECMA-K 1320FS	216.0				---	---	---	---	---	M6, Depth 20		
ECMA-K 1320HS					36	8	8	7	18	---	---	---
ECMA-K 1320QS					36	8	8	7	18	M6, Depth 20	---	---
ECMA-K 1320SS	---	---	---	---	---	---	---	---	---			



台達電子工業股份有限公司 DELTA ELECTRONICS, INC.		DRAWN:	DESIGN:
THESE DRAWINGS AND SPECIFICATIONS ARE THE PROPERTY OF DELTA ELECTRONICS, INC. AND SHALL NOT BE REPRODUCED OR USED AS THE BASIS FOR THE MANUFACTURE OR SELL OF APPARATUS OR DEVICES WITHOUT PERMISSION.		APPROVE:	DATE: 10/21/2013
DIMENSIONAL TOLERANCES ( ) ( ) ( ) ( ) ANGLES DECIMALS <50 ±0.1 <50 ±0.15 <50 ±0.2 <30° ±0.1° X ±0.3 >50-100 ±0.15 >50-100 ±0.2 >50-100 ±0.25 >30°-60° ±0.3° X.X ±0.2 >100-200 ±0.2 >100-200 ±0.25 >100-200 ±0.3 >60°-90° ±0.5° X.XX ±0.1 >200 ±0.2 >200 ±0.25 >200 ±0.3		DESCRIPTION: CONFIDENTIAL MOTOR_F130_380V_BRAKE	
USED ON	UNIT mm	SCALE	SHEET 1 OF 1
PART NO.: 			REV. 00