

1

2

3

4

A

A

B

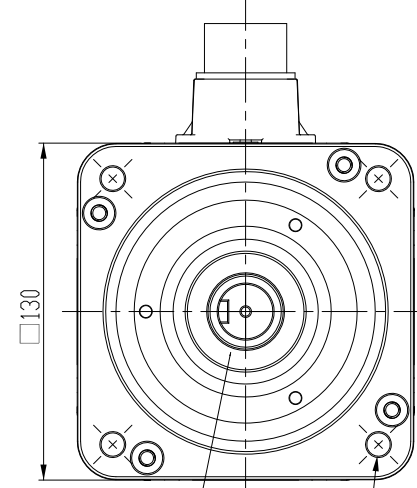
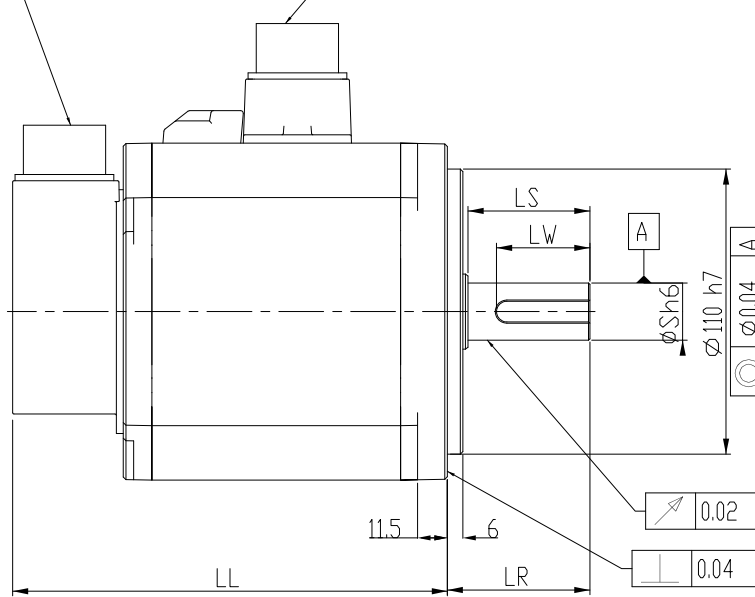
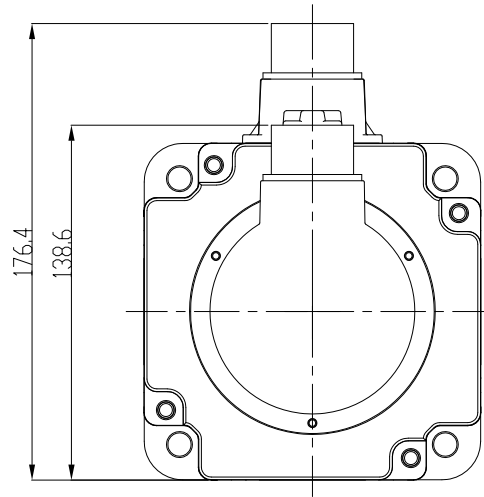
B

C

C

ENCODER CONNECTOR
MS3102A20-29P

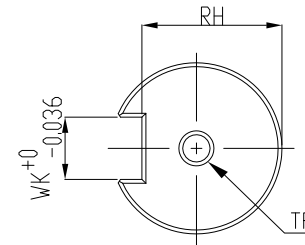
MOTOR CONNECTOR
MS3102A20-18P



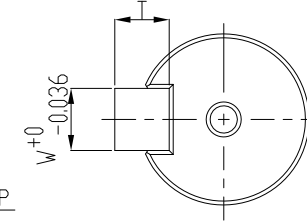
OIL_SEAL(TC TYPE)
ONLY FOR OIL-SEAL MODEL

DIMENSION TABLE (MODEL WITH BRAKE)

MODEL	LL	LR	LS	S	LW	WK	W	T	RH	TP
ECMA-F□1305FS	168	55	47	22	36	8	8	7	18	---
ECMA-F□1305QS										M6;Depth 20
ECMA-F□1305SS										---
ECMA-F□1308FS	181	55	47	22	36	8	8	7	18	---
ECMA-F□1308QS										M6;Depth 20
ECMA-F□1308SS										---
ECMA-F□1313FS	216	55	47	22	36	8	8	7	18	---
ECMA-F□1313QS										M6;Depth 20
ECMA-F□1313SS										---
ECMA-F□1318FS	230.7	55	47	22	36	8	8	7	18	---
ECMA-F□1318QS										M6;Depth 20
ECMA-F□1318SS										---



SHAFT END DETAILS
SCALE 1.500



KEY DETAILS
SCALE 1.500

REV.	ECN NO.
00	-----

		DRAWN:		DESIGN:			
THESE DRAWINGS AND SPECIFICATIONS ARE THE PROPERTY OF DELTA ELECTRONICS, INC. AND SHALL NOT BE REPRODUCED OR USED AS THE BASIS FOR THE MANUFACTURE OR SELL OF APPARATUS OR DEVICES WITHOUT PERMISSION.		APPROVE:		DATE: 11/15/2013			
DESCRIPTION: ECMA-FX13XX with brake		DIMENSIONAL TOLERANCES () () () () ANGLES DECIMALS <50 ±0.1 <50 ±0.15 <50 ±0.2 <30° ±0.1° X ±0.3 >50-100 ±0.15 >50-100 ±0.2 >50-100 ±0.25 >30°-60° ±0.3° X.X ±0.2 >100-200 ±0.2 >100-200 ±0.25 >100-200 ±0.3 >60°-90° ±0.5° X.XX ±0.1 >200- ±0.2% >200- ±0.25% >200- ±0.3%		PART NO.:		REV.	
USED ON:		UNIT: mm		SCALE: 0.500 SHEET 1 OF 1			

2

3

4