

INDUCTION MOTOR

150W

□90mm

LEAD WIRE TYPE TERMINAL BOX TYPE

K9IS150FH



K9IS150F□-T, T5



SPECIFICATIONS

150W continuous rating, four poles

Model		Voltage (V)	Frequency (Hz)	Current (A)	Start T. (N* m/Kgf*cm)	Rated T. (N* m/Kgf*cm)	Speed (rpm)	Condenser (μF)
K9I□150FT(-T, -T5)		three-phase	200	50	1,2	3,5/35	1,13/11,3	1300
	60			0,95	2,65/26,5	0,915/9,15	1600	
K9I□150FH(-T, -T5)	220		50	0,99	2,95/29,5	1,13/11,3	1300	-
	230			1,1	3/30			
	220		60	0,97	2,5/25	0,915/9,15	1600	-
	230			1,02	2,7/27			
K9I□150FM(-T, -T5)	380		50	0,57	3/30	1,13/11,3	1300	-
			60		2,25/22,5	0,915/9,15	1600	
K9I□150FV(-T, -T5)	400		50	0,6	3,5/35	1,13/11,3	1300	-
			60		2,5/25	0,915/9,15	1600	
K9I□150FQ(-T, -T5)	415		50	0,57	3,15/31,5	1,13/11,3	1300	-
			60	0,42	2,35/23,5	0,915/9,15	1600	
K9I□150FZ(-T, -T5)	440	50	0,53	3,3/33	1,085/10,85	1350	-	
		60	0,44	2,6/26	0,915/9,15	1600		

* □ : SHAFT SHAPE (S : STRAIGHT, P : PINION)

RATED TORQUE OF GEARHEAD

● 50Hz

unit = above : N · m / below : kgfcm

Model Motor/ Gearhead	Speed(rpm)	500	416	300	250	200	166	150	120	100	83	75	60	50	41	37	30	25	20	16	15	13	10	8,3	7,5
	Ratio	3	3,6	5	6	7,5	9	10	12,5	15	18	20	25	30	36	40	50	60	75	90	100	120	150	180	200
K9I□150F□(-T, -T5) K9P□B, BF		2,64	3,16	4,39	5,27	6,59	7,91	8,79	9,89	11,86	14,24	15,82	17,80	20	20	20	20	20	20	20	20	20	20	20	20
		26,4	31,6	43,9	52,7	65,9	79,1	87,9	98,9	118,6	142,4	158,2	178,0	200	200	200	200	200	200	200	200	200	200	200	200

● 60Hz

unit = above : N · m / below : kgfcm

Model Motor/ Gearhead	Speed(rpm)	600	500	360	300	240	200	180	144	120	100	90	72	60	50	45	36	30	24	20	18	15	12	10	9
	Ratio	3	3,6	5	6	7,5	9	10	12,5	15	18	20	25	30	36	40	50	60	75	90	100	120	150	180	200
K9I□150F□(-T, -T5) K9P□B, BF		2,22	2,67	3,71	4,45	5,56	6,67	7,41	8,34	10,01	12,01	13,34	15,01	18,01	20	20	20	20	20	20	20	20	20	20	20
		22,2	26,7	37,1	44,5	55,6	66,7	74,1	83,4	100,1	120,1	133,4	150,1	180,1	200	200	200	200	200	200	200	200	200	200	200

* Gearhead and decimal gearhead are sold separately.

* The code in □ of gearhead model is for gear ratio.

* ■ color indicates that the output shaft of the geared motor rotates in the same direction as the output shaft of the motor. Others indicate rotation in the opposite direction.

* If you are to have less ratio than the ratio in the table, you can install the decimal gearhead, which has one tenth of the ratio, between the gearhead and the motor. In this case, the permissible torque is 20N · m/200kgfcm.

* RPM is based on motor's synchronous rpm (50HZ:1500rpm, 60HZ:1800rpm) and calculated by dividing gear ratio. Actual rpm is 2~20% less than

indicating rpm according to load size.

GEARHEADS

RATED TORQUE OF GEARHEAD

● 50Hz

unit = above : N · m / below : kgfcm

Model Motor/ Gearhead	Speed(rpm)	500	416	300	250	200	166	150	120	100	83	75	60	50	41	37	30	25	20	16	15	13	10	8,3	7,5
	Ratio	3	3,6	5	6	7,5	9	10	12,5	15	18	20	25	30	36	40	50	60	75	90	100	120	150	180	200
K9I□150F□(-T, -T5) K9P□BU, BUF		2,64	3,16	4,39	5,27	6,59	7,91	8,79	9,89	11,86	14,24	15,82	17,80	21,36	25,63	28,47	30	30	30	30	30	30	30	30	30
		26,4	31,6	43,9	52,7	65,9	79,1	87,9	98,9	118,6	142,4	158,2	178,0	213,6	256,3	284,7	300	300	300	300	300	300	300	300	300

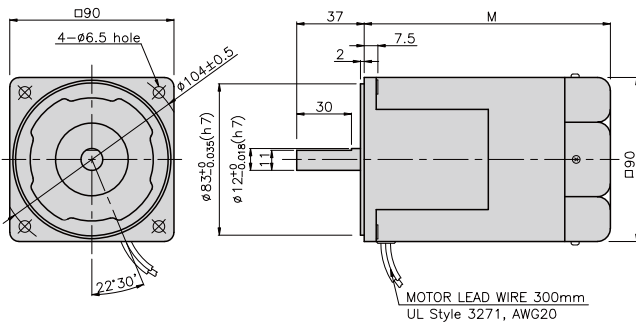
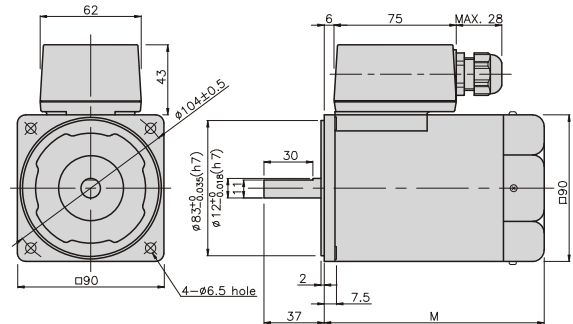
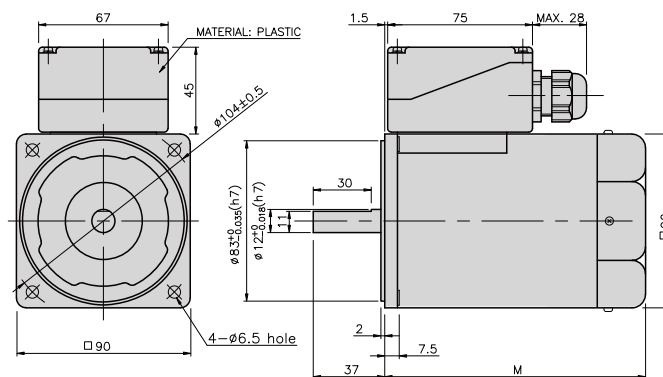
● 60Hz

unit = above : N · m / below : kgfcm

Model Motor/ Gearhead	Speed(rpm)	600	500	360	300	240	200	180	144	120	100	90	72	60	50	45	36	30	24	20	18	15	12	10	9
	Ratio	3	3,6	5	6	7,5	9	10	12,5	15	18	20	25	30	36	40	50	60	75	90	100	120	150	180	200
K9I□150F□(-T, -T5) K9P□BU, BUF		2,22	2,67	3,71	4,45	5,56	6,67	7,41	8,34	10,01	12,01	13,34	15,01	18,01	21,61	24,01	30	30	30	30	30	30	30	30	30
		22,2	26,7	37,1	44,5	55,6	66,7	74,1	83,4	100,1	120,1	133,4	150,1	180,1	216,1	240,1	300	300	300	300	300	300	300	300	300

- * Gearhead and decimal gearhead are sold separately.
- * The code in □ of gearhead model is for gear ratio.
- * color indicates that the output shaft of the geared motor rotates in the same direction as the output shaft of the motor. Others indicate rotation in the opposite direction.
- * If you are to have less ratio than the ratio in the table, you can install the decimal gearhead, which has one tenth of the ratio, between the gearhead and the motor. In this case, the permissible torque is 30N · m/300kgfcm.
- * RPM is based on motor's synchronous rpm (50HZ:1500rpm, 60HZ:1800rpm) and calculated by dividing gear ratio. Actual rpm is 2~20% less than indicating rpm according to load size.

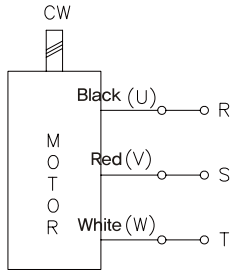
DIMENSIONS

K9IS150FH

K9IS150F□-T

K9IS150F□-T5


GEARHEADS

CONNECTION DIAGRAMS

K9IS150F □



connecting two leadwires of U,V,W in turns
The direction of motor rotation is as viewed from the front shaft end of the motor

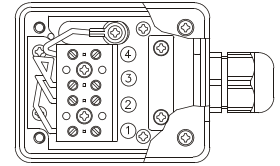
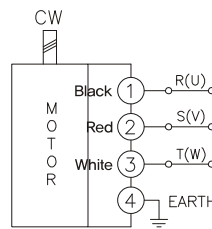
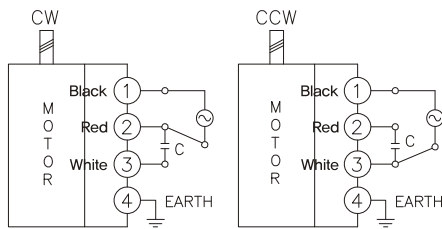
DIMENSION TABLE

PART No	M	Application Model
01	155	50Hz
02	135	60Hz

K9IS150F □-T

single phase motor

three phase motor

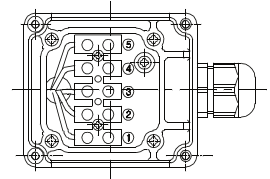
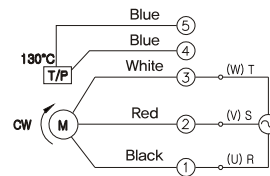
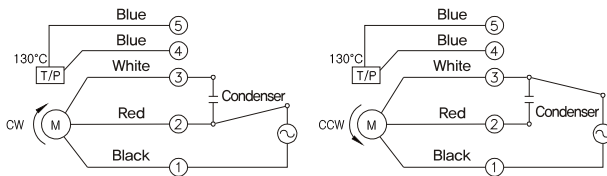


The direction of motor rotation is as viewed from the front shaft end of the motor

K9IS150F □-T5

single phase motor

three phase motor



connecting two leadwires of U,V,W in turns
The direction of motor rotation is as viewed from the front shaft end of the motor

GEARHEADS

DIMENSIONS

K9P□B



K9P□BF, BUF

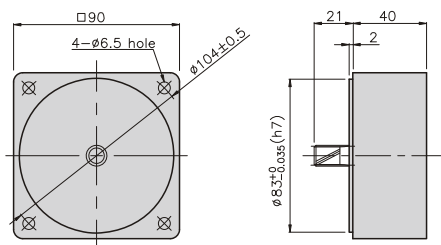


K9P□BU



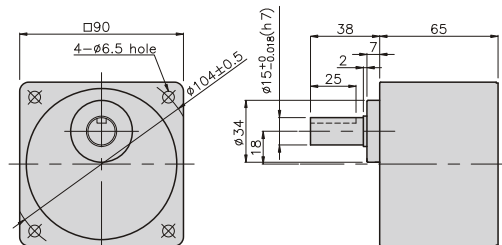
DECIMAL GEARHEAD

K9P10BX



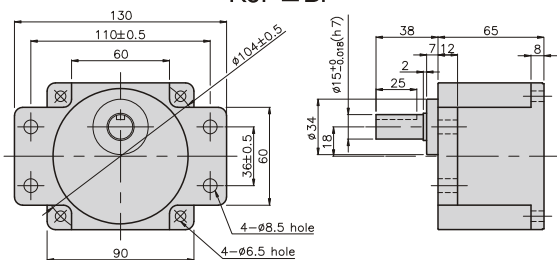
GEAR HEAD

K9P□B



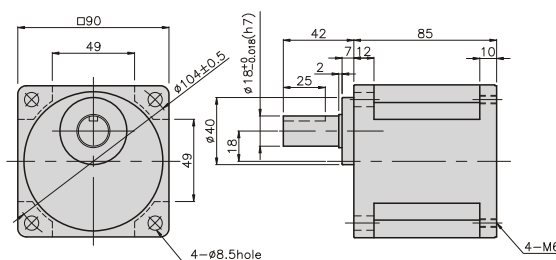
GEARHEAD

K9P□BF



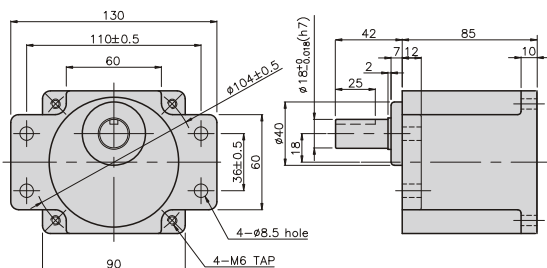
GEARHEAD

K9P□BU

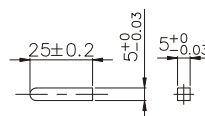


GEARHEAD

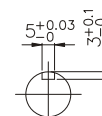
K9P□BUF



• KEY



• KEY GROOVE



GEARHEADS

DIMENSIONS

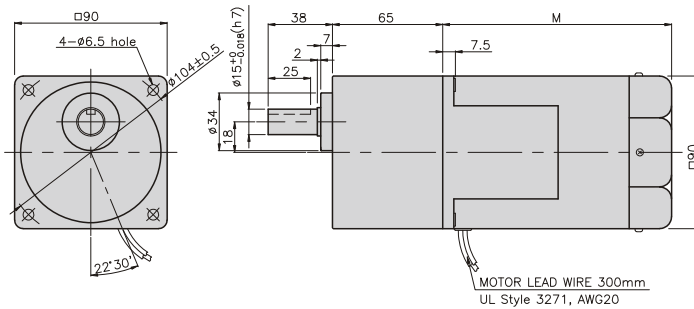
K9IP150F□ + K9P□B

K9IP150F□ + K9P□BF, BUF

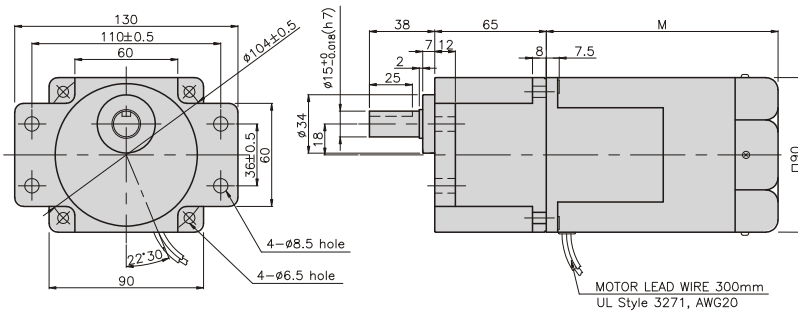
K9IP150F□ + K9P□BU



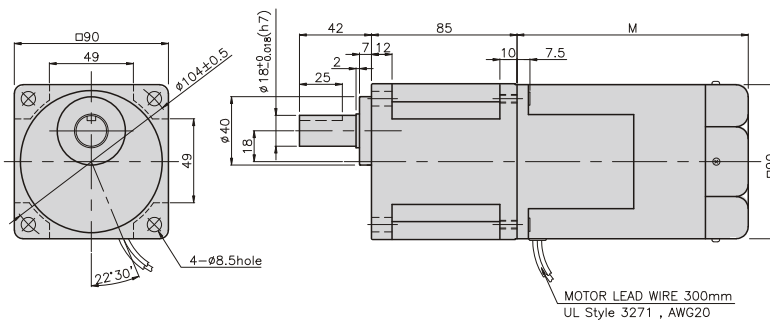
K9IP150F□ + K9P□B



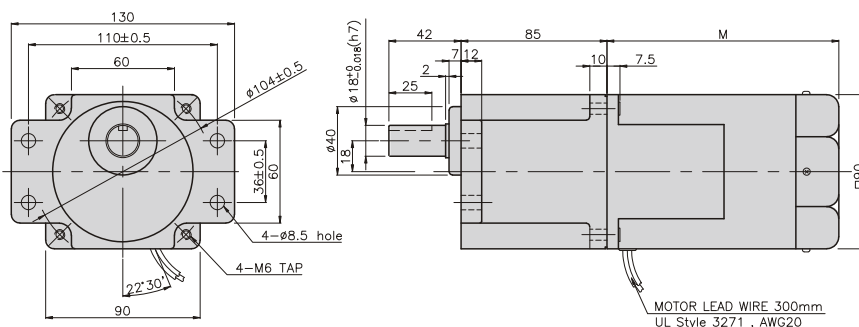
K9IP150F□ + K9P□BF



K9IP150F□ + K9P□BU



K9IP150F□ + K9P□BUF



WEIGHT

PART	WEIGHT(kg)
MOTOR	3,82
DECIMAL GEAR HEAD	0,62

DIMENSION TABLE

PART No	M	Application Model
01	155	50Hz
02	135	60Hz

DIMENSION TABLE

PART No	L	Application Model	Mounting BOLT
01	85	K9P3~200B	M6 P1,0 X 95
02	40	K9P10BX	M4 P1,0 X 60

WEIGHT

PART	WEIGHT(kg)
K9P3~10B	1,22
K9P12,5~20B	1,32
K9P25~60B	1,42
K9P75~200B	1,45

DIMENSION TABLE

PART No	L	Application Model	Mounting BOLT
01	85	K9P3~200BF	M6 P1,0 X 95
02	40	K9P10BX	M4 P1,0 X 60

WEIGHT

PART	WEIGHT(kg)
K9P3~10BF	1,22
K9P12,5~20BF	1,30
K9P25~60BF	1,42
K9P75~200BF	1,44

DIMENSION TABLE

PART No	L	Application Model	Mounting BOLT
01	85	K9P3~200BU	M6 P1,0 X 20
02	40	K9P10BX	M6 P1,0 X 60

WEIGHT

PART	WEIGHT(kg)
K9P3~10BU	1,44
K9P12,5~20BU	1,55
K9P25~60BU	1,69
K9P75~200BU	1,74

DIMENSION TABLE

PART No	L	Application Model	Mounting BOLT
01	85	K9P3~200BUF	M6 P1,0 X 20
02	40	K9P10BX	M6 P1,0 X 65

WEIGHT

PART	WEIGHT(kg)
K9P3~10BUF	1,50
K9P12,5~20BUF	1,62
K9P25~60BUF	1,76
K9P75~200BUF	1,82

GEARHEADS

DIMENSIONS

K9IP150F□-T + K9P□B



K9IP150F□-T + K9P□BF, BUF



K9IP150F□-T + K9P□BU



WEIGHT

PART	WEIGHT(kg)
MOTOR	3,24(3,90)
DECIMAL GEAR HEAD	0,62

DIMENSION TABLE

PART No	M	Application Model
01	155	50Hz
02	135	60Hz

DIMENSION TABLE

PART No	L	Application Model	Mounting BOLT
01	85	K9P3~200B	M6 P1,0 X 95
02	40	K9P10BX	M6 P1,0 X 140

WEIGHT

PART	WEIGHT(kg)
K9P3~10B	1,22
K9P12,5~20B	1,32
K9P25~60B	1,42
K9P75~200B	1,45

DIMENSION TABLE

PART No	L	Application Model	Mounting BOLT
01	85	K9P3~200BF	M6 P1,0 X 25
02	40	K9P10BX	M6 P1,0 X 65

WEIGHT

PART	WEIGHT(kg)
K9P3~10BF	1,22
K9P12,5~20BF	1,30
K9P25~60BF	1,42
K9P75~200BF	1,44

DIMENSION TABLE

PART No	L	Application Model	Mounting BOLT
01	85	K9P3~200BU	M6 P1,0 X 20
02	40	K9P10BX	M6 P1,0 X 60

WEIGHT

PART	WEIGHT(kg)
K9P3~10BU	1,44
K9P12,5~20BU	1,55
K9P25~60BU	1,69
K9P75~200BU	1,74

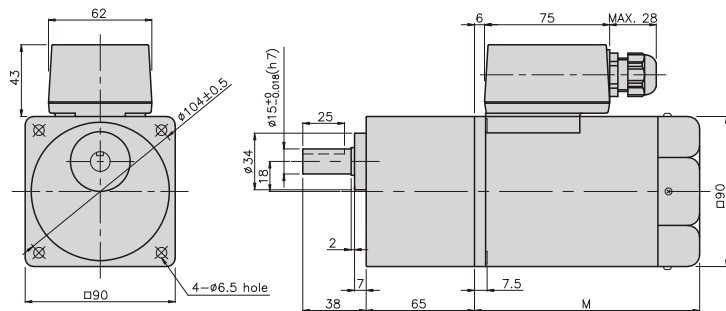
DIMENSION TABLE

PART No	L	Application Model	Mounting BOLT
01	85	K9P3~200BUF	M6 P1,0 X 20
02	40	K9P10BX	M6 P1,0 X 65

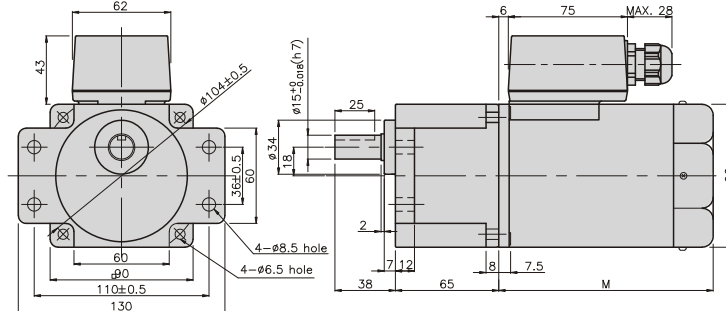
WEIGHT

PART	WEIGHT(kg)
K9P3~10BUF	1,50
K9P12,5~20BUF	1,62
K9P25~60BUF	1,76
K9P75~200BUF	1,82

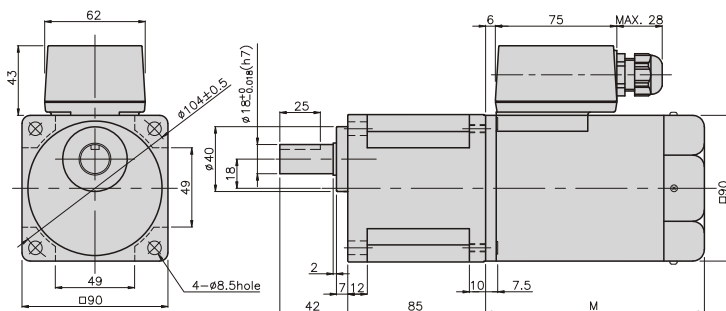
K9IP150F□-T + K9P□B



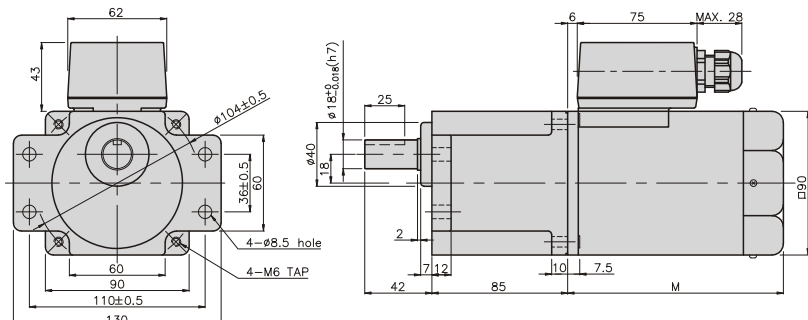
K9IP150F□-T + K9P□BF



K9IP150F□-T + K9P□BU



K9IP150F□-T + K9P□BUF



GEARHEADS

DIMENSIONS

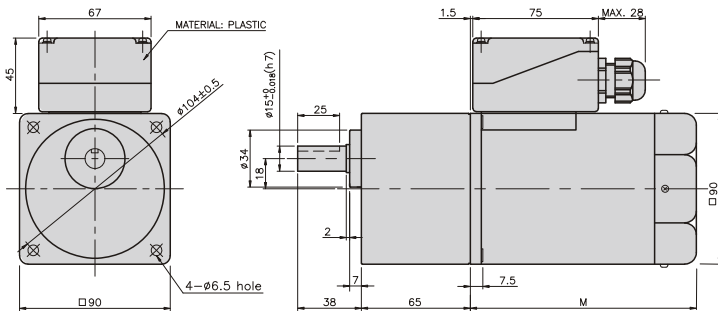
K9IP150F□-T5 + KP9□B

K9IP150F□-T5 + K9P□BF, BUF

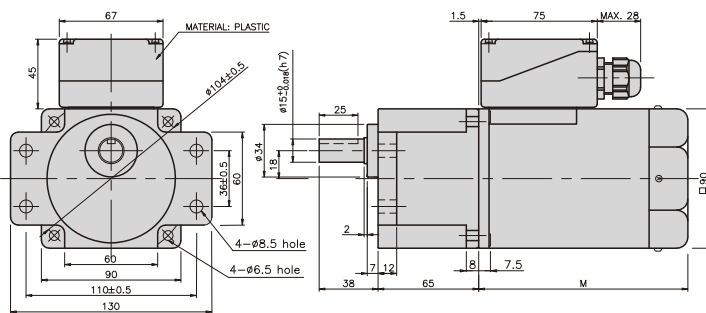
K9IP150F□-T5 + K9P□BU



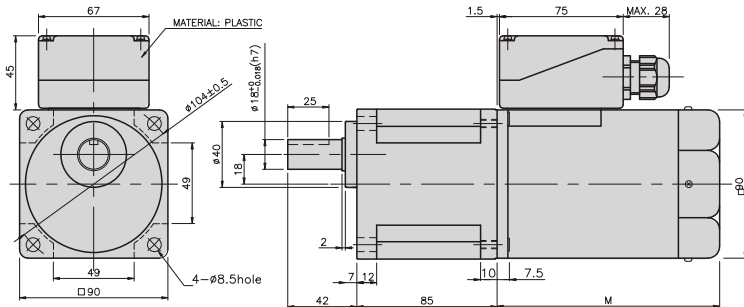
K9IP150F□-T5 + KP9□B



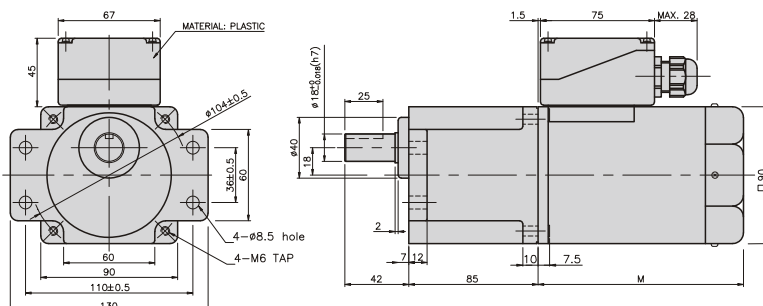
K9IP150F□-T5 + KP9□BF



K9IP150F□-T5 + KP9□BU



K9IP150F□-T5 + KP9□BUF



WEIGHT

PART	WEIGHT(kg)
MOTOR	3.24(3.90)
DECIMAL GEAR HEAD	0.62

DIMENSION TABLE

PART No	M	Application Model
01	155	50Hz
02	135	60Hz

DIMENSION TABLE

PART No	L	Application Model	Mounting BOLT
01	85	K9P3~200B	M6 P1.0 X 95
02	40	K9P10BX	M6 P1.0 X 140

WEIGHT

PART	WEIGHT(kg)
K9P3~10B	1.22
K9P12.5~20B	1.32
K9P25~60B	1.42
K9P75~200B	1.45

DIMENSION TABLE

PART No	L	Application Model	Mounting BOLT
01	85	K9P3~200BF	M6 P1.0 X 25
02	40	K9P10BX	M6 P1.0 X 65

WEIGHT

PART	WEIGHT(kg)
K9P3~10BF	1.22
K9P12.5~20BF	1.30
K9P25~60BF	1.42
K9P75~200BF	1.44

DIMENSION TABLE

PART No	L	Application Model	Mounting BOLT
01	85	K9P3~200BU	M6 P1.0 X 20
02	40	K9P10BX	M6 P1.0 X 60

WEIGHT

PART	WEIGHT(kg)
K9P3~10BU	1.44
K9P12.5~20BU	1.55
K9P25~60BU	1.69
K9P75~200BU	1.74

DIMENSION TABLE

PART No	L	Application Model	Mounting BOLT
01	85	K9P3~200BUF	M6 P1.0 X 20
02	40	K9P10BX	M6 P1.0 X 65

WEIGHT

PART	WEIGHT(kg)
K9P3~10BUF	1.50
K9P12.5~20BUF	1.62
K9P25~60BUF	1.76
K9P75~200BUF	1.82