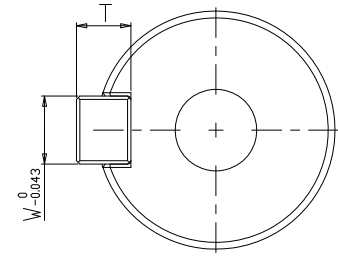
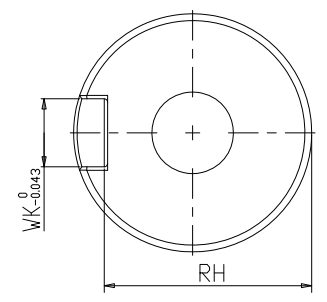


DIMENSION TABLE (MODEL WITH BRAKE)

MODEL	LL	LR	LS	LW	S	WK	W	T	RH	TP
ECMA-□221BS3	434.4	116	110	90	42 ⁰ _{-0.016}	12	12	8	37	M16,DEPTH 32
ECMA-□221FSS	513.4	116	110	90	55 ^{+0.03} _{+0.011}	16	16	10	49	M20,DEPTH 40



KEY DETAILS



SHAFT END DETAILS

台達電子工業股份有限公司 DELTA ELECTRONICS, INC.	DRAWN:	DESIGN:
	DATE: 05/12/2016	ECN NO.:
THESE DRAWINGS AND SPECIFICATIONS ARE THE PROPERTY OF DELTA ELECTRONICS, INC. AND SHALL NOT BE REPRODUCED OR USED AS THE BASIS FOR THE MANUFACTURE OR SELL OF APPARATUS OR DEVICES WITHOUT PERMISSION.	DIMENSIONAL TOLERANCES () () () ANGLES DECIMALS 0-4 ±0.05 <50 ±0.1 <50 ±0.5 <30° ±0.1° X ±0.3 4-16 ±0.08 >50-100 ±0.15 >50-100 ±1.0 >30°-60° ±0.3° X.X ±0.2 16-63 ±0.12 >100-200 ±0.2 >100-200 ±1.5 >60°-90° ±0.5° X.XX ±0.1 63-200 ±0.2 >200° ±0.2% >200° ±0.3%	
DRAWING NAME:	A3	PART NO.:
MOTOR F220	SIZE THIRD ANGLE PROJECTION	REV.:
USED ON	UNIT mm	SCALE 0.280 SHEET 1 OF 1