

REVERSIBLE MOTOR

25W

□80mm

LEAD WIRE TYPE
TERMINAL BOX TYPE

K8RS25N□



K8RS25N□-T, T5



SPECIFICATIONS

25W continuous rating, four poles

Model	Voltage (V)	Frequency (Hz)	Current (A)	Start T. (N*m/Kgf*cm)	Rated T. (N*m/Kgf*cm)	Speed (rpm)	Condenser (μF)
K8R□25NJ(-T, -T5)	100	50	0,65	0,15/1,5	0,195/1,95	1250	10
		60	0,74			1500	
K8R□25NU(-T, -T5)	110	60	0,51	0,13/1,3	0,165/1,65	1500	6
	115		0,54				
K8R□25NL(-T, -T5)	200	50	0,33	0,16/1,6	0,195/1,95	1250	2,5
		60	0,37			1550	
K8R□25NC(-T, -T5)	220	50	0,29	0,15/1,5	0,195/1,95	1250	2
		60	0,34			1500	
	230	50	0,35	0,165/1,65	0,195/1,95	1250	
		60	0,34			1500	
K8R□25ND(-T, -T5)	240	50	0,32	0,15/1,5	0,19/1,9	1300	1,5

* □ : SHAFT SHAPE (S : STRAIGHT, G : PINION)

RATED TORQUE OF GEARHEAD

● 50Hz

unit = above : N · m / below : kgfcm

Model	Speed(rpm)	500	416	300	250	200	166	150	120	100	83	75	60	50	41	37	30	25	20	16	15	12,5	10	8,3	7,5	6
Motor/ Gearhead	Ratio	3	3,6	5	6	7,5	9	10	12,5	15	18	20	25	30	36	40	50	60	75	90	100	120	150	180	200	250
K8R□25N□(-T, -T5) K8G□B(C)	0,46	0,55	0,77	0,92	1,15	1,39	1,54	1,92	2,31	2,77	2,77	3,46	4,16	4,99	5,54	6,23	7,48	8	8	8	8	8	8	8	8	8
	4,6	5,5	7,7	9,2	11,5	13,9	15,4	19,2	23,1	27,7	27,7	34,6	41,6	49,9	55,4	62,3	74,8	80	80	80	80	80	80	80	80	80

● 60Hz

unit = above : N · m / below : kgfcm

Model	Speed(rpm)	600	500	360	300	240	200	180	144	120	100	90	72	60	50	45	36	30	24	20	18	15	12	10	9	7,2
Motor/ Gearhead	Ratio	3	3,6	5	6	7,5	9	10	12,5	15	18	20	25	30	36	40	50	60	75	90	100	120	150	180	200	250
K8R□25N□(-T, -T5) K8G□B(C)	0,39	0,47	0,65	0,78	0,97	1,17	1,30	1,62	1,94	2,33	2,33	2,92	3,50	4,20	4,67	5,25	6,30	7,87	8	8	8	8	8	8	8	8
	3,9	4,7	6,5	7,8	9,7	11,7	13,0	16,2	19,4	23,3	23,3	29,2	35,0	42,0	46,7	52,5	63,0	78,7	80	80	80	80	80	80	80	80

* Gearhead and decimal gearhead are sold separately.

* The code in □ of gearhead model is for gear ratio.

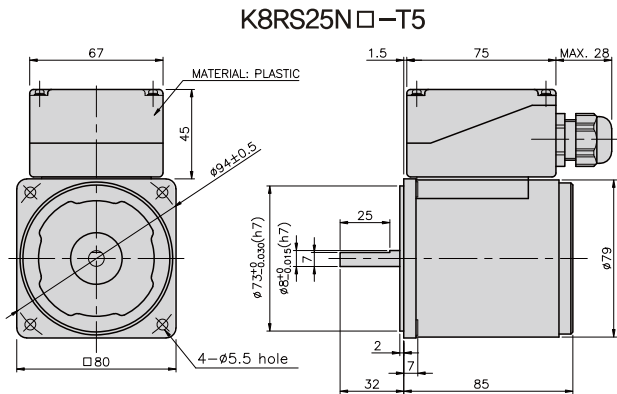
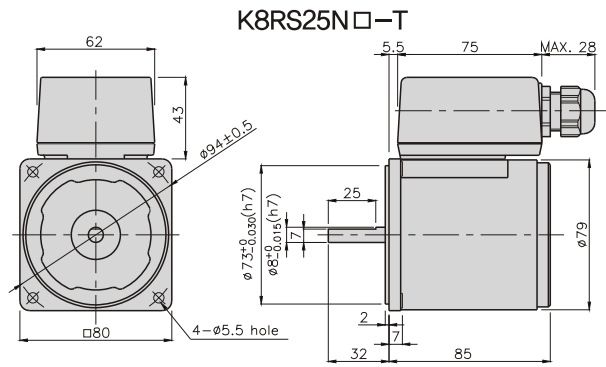
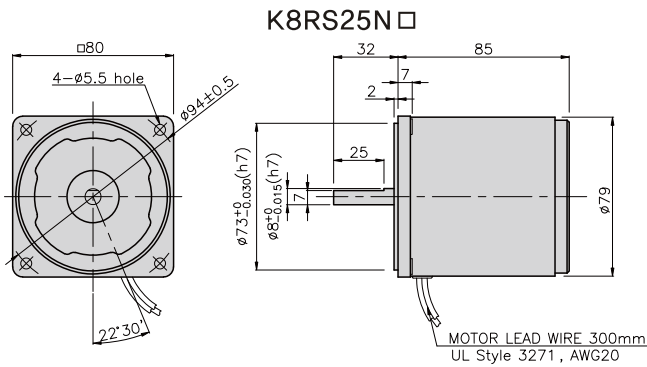
* color indicates that the output shaft of the geared motor rotates in the same direction as the output shaft of the motor. Others indicate rotation in the opposite direction.

* If you are to have less ratio than the ratio in the table, you can install the decimal gearhead, which has one tenth of the ratio, between the gearhead and the motor. In this case, the permissible torque is 8N · m/80kgfcm. But, if you install 1/25~1/40 gearhead, the permissible torque is 6N · m/60kgfcm.

* RPM is based on motor's synchronous rpm (50HZ:1500rpm, 60HZ:1800rpm) and calculated by dividing gear ratio. Actual rpm is 2~20% less than indicating rpm according to load size.

GEARHEADS

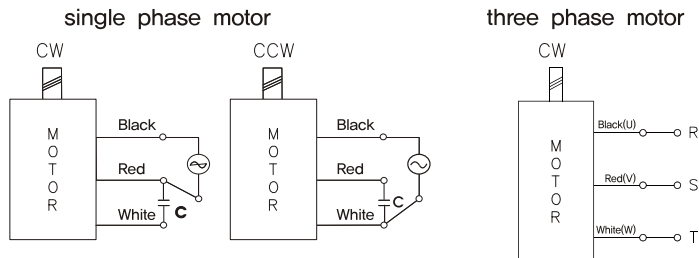
DIMENSIONS



REVERSIBLE MOTORS

CONNECTION DIAGRAMS

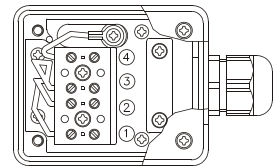
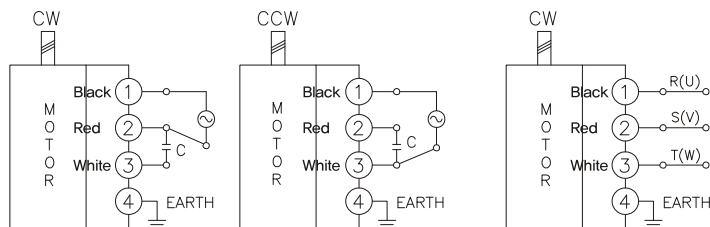
K8RS25N□



connecting two leadwires of U,V,W in turns

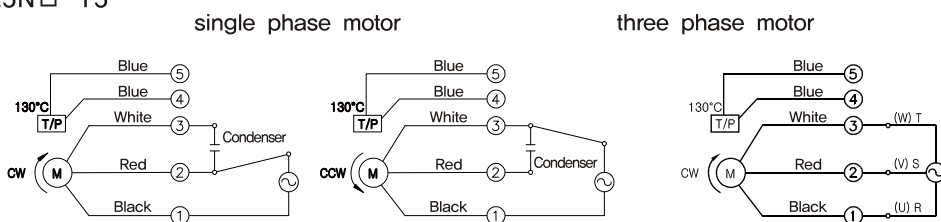
The direction of motor rotation is as viewed from the front shaft end of the motor

K8RS25N□-T



The direction of motor rotation is as viewed from the front shaft end of the motor

K8RS25N□-T5



connecting two leadwires of U,V,W in turns

The direction of motor rotation is as viewed from the front shaft end of the motor

GEARHEADS

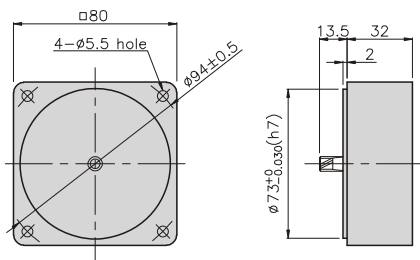
DIMENSIONS

K8G□B(C)



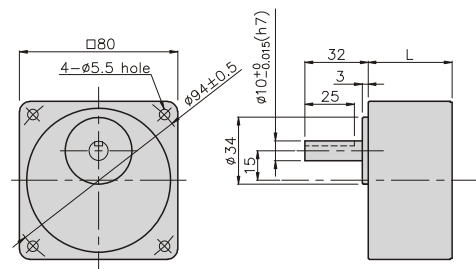
DECIMAL GEARHEAD

K8G10BX



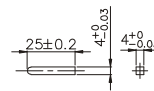
GEAR HEAD

K8G□B(C)



• KEY

• KEY GROOVE



GEARHEADS

DIMENSIONS

K8RG25N□ + K8G□B(C)



K8RG25N□-T(-T5) + K8G□B(C)



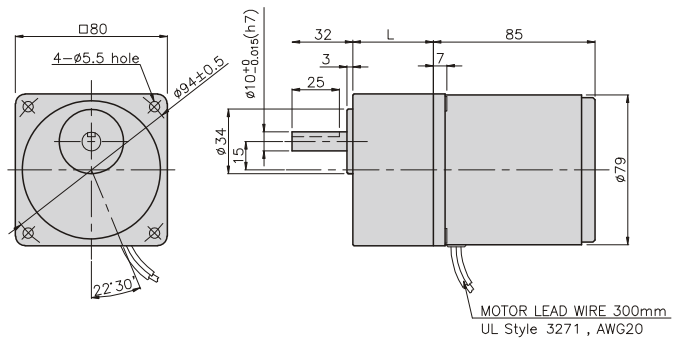
DIMENSION TABLE

PART No	L	Application Model	Mounting BOLT
01	32	K8G3~18B(C)	M5 P0,8 X 50
02	42,5	K8G20~250B(C)	M5 P0,8 X 65
03	32	K8G10BX	M5 P0,8 X 95

WEIGHT

PART	WEIGHT(kg)	
MOTOR	1,58	
DECIMAL GEAR HEAD	0,46	
GEAR HEAD	K8G3~18B(C)	0,51
	K8G20~40B(C)	0,64
	K8G50~250B(C)	0,70

K8RG25N□ + K8G□B(C)



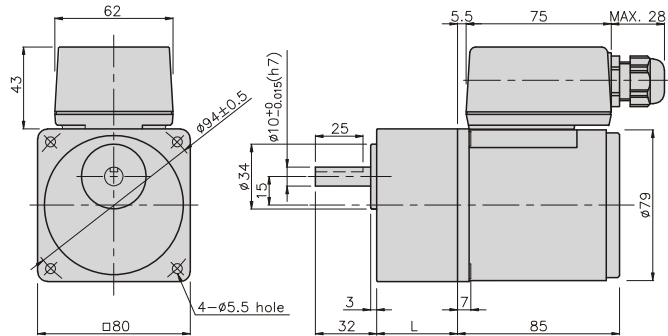
DIMENSION TABLE

PART No	L	Application Model	Mounting BOLT
01	32	K8G3~18B(C)	M5 P0,8 X 50
02	42,5	K8G20~250B(C)	M5 P0,8 X 60
03	32	K8G10BX	M5 P0,8 X 95

WEIGHT

PART	WEIGHT(kg)	
MOTOR	1,76	
DECIMAL GEAR HEAD	0,46	
GEAR HEAD	K8G3~18B(C)	0,51
	K8G20~40B(C)	0,64
	K8G50~250B(C)	0,70

K8RG25N□-T + K8G□B(C)



DIMENSION TABLE

PART No	L	Application Model	Mounting BOLT
01	32	K8G3~18B(C)	M5 P0,8 X 50
02	42,5	K8G20~250B(C)	M5 P0,8 X 60
03	32	K8G10BX	M5 P0,8 X 95

WEIGHT

PART	WEIGHT(kg)	
MOTOR	1,76	
DECIMAL GEAR HEAD	0,46	
GEAR HEAD	K8G3~18B(C)	0,51
	K8G20~40B(C)	0,64
	K8G50~250B(C)	0,70

K8RG25N□-T5 + K8G□B(C)

