

1

2

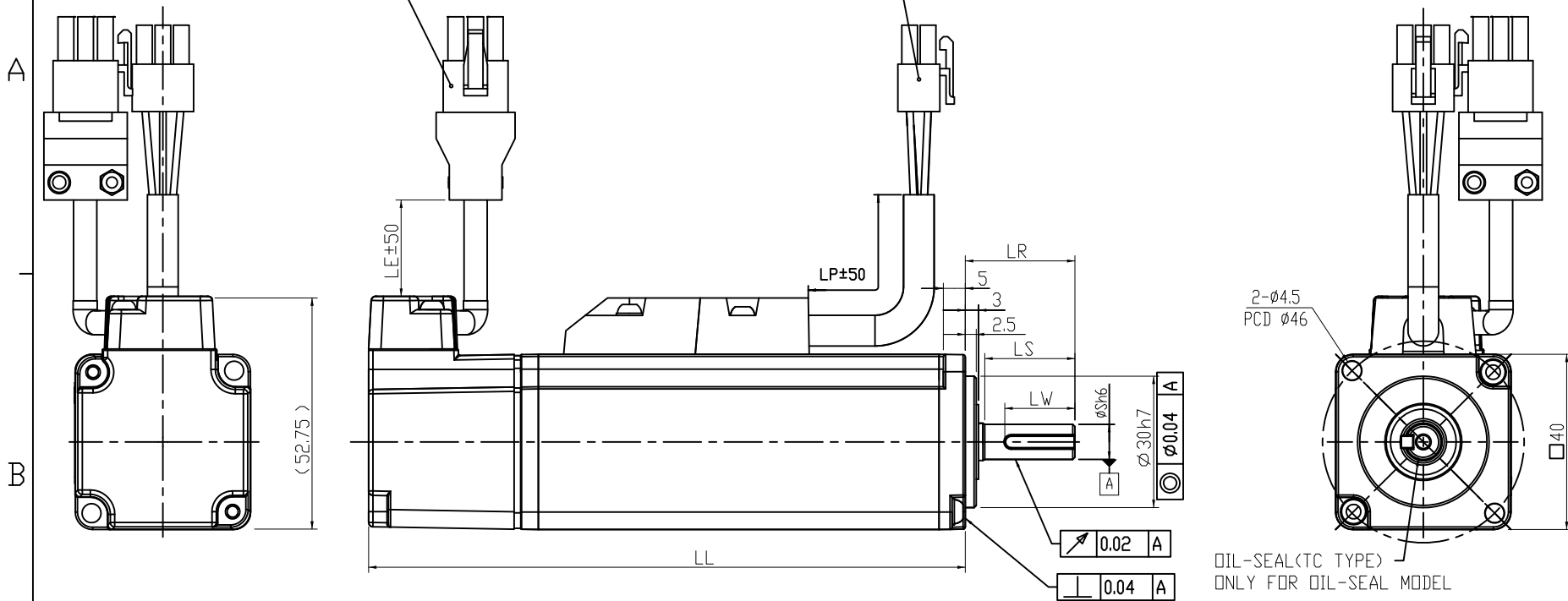
3

4

REV. ECN NO.

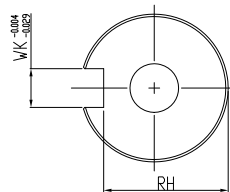
ENCODER CONNECTOR
AMP 1-172169-9

MOTOR CONNECTOR
CP-01106011

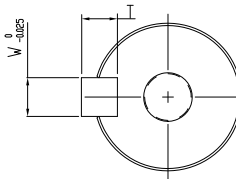


DIMENSION TABLE (MODEL WITH BRAKE)

MODEL	LL	LR	LS	S	LW	WK	W	T	RH	TP	LP	LE		
ECMA-CL0401BS	136.6	25	20	8	—	—	—	—	—	M3, Depth 8	300	300		
ECMA-CL0401DS					—	—	—	—	—	—			—	
ECMA-CL0401FS					—	—	—	—	—	—			—	—
ECMA-CL0401HS					—	—	—	—	—	—			—	—
ECMA-CL0401QS					—	—	—	—	—	—			—	—
ECMA-CL0401SS	—	—	—	—	16	3	3	3	6.2	M3, Depth 8	—	—		



SHAFT END DETAILS



KEY DETAILS

台達電子工業股份有限公司 DELTA ELECTRONICS, INC.	DRAWN:	DESIGN:
	APPROVE:	DATE: 10/21/2013
THESE DRAWINGS AND SPECIFICATIONS ARE THE PROPERTY OF DELTA ELECTRONICS, INC. AND SHALL NOT BE REPRODUCED OR USED AS THE BASIS FOR THE MANUFACTURE OR SELL OF APPARATUS OR DEVICES WITHOUT PERMISSION.	DIMENSIONAL TOLERANCES () () () ANGLES DECIMALS <50 ±0.1 <50 ±0.15 <50 ±0.2 <30° ±0.1° X ±0.3 >50-100 ±0.15 >50-100 ±0.2 >50-100 ±0.25 >30°-60° ±0.3° X.X ±0.2 >100-200 ±0.2 >100-200 ±0.25 >100-200 ±0.3 >60°-90° ±0.5° X.XX ±0.1 >200° ±0.2% >200° ±0.25% >200° ±0.3%	
	DESCRIPTION: CONFIDENTIAL MOTOR_F40_BRAKE	PART NO.:
USED ON	UNIT mm	SHEET 1 OF 1

1

2

3

4