

REVERSIBLE MOTOR

40W

□90mm

LEAD WIRE TYPE
TERMINAL BOX TYPE

K9RS40N□



K9RS40N□-T, T5



SPECIFICATIONS

40W continuous rating, four poles

Model	Voltage (V)	Frequency (Hz)	Current (A)	Start T. (N*m/Kgf*cm)	Rated T. (N*m/Kgf*cm)	Speed (rpm)	Condenser (μF)
single-phase							
K9R□40NJ(-T, -T5)	100	50	1	0,3/3	0,315/3,15	1250	16
		60	1,13	0,33/3,3	0,255/2,55	1550	
K9R□40NU(-T, -T5)	110	60	0,8	0,2/2	0,26/2,6	1500	10
	115		0,83	0,22/2,2			
K9R□40NL(-T, -T5)	200	50	0,45	0,3/3	0,315/3,15	1250	4
		60	0,57		0,26/2,6	1500	
K9R□40NC(-T, -T5)	220	50	0,46	0,3/3	0,315/3,15	1250	3,5
		60	0,55	0,32/3,2	0,26/2,6	1500	
	230	50	0,55	0,4/4	0,315/3,15	1250	
		60	0,58	0,36/3,6	0,26/2,6	1500	
K9R□40ND(-T, -T5)	240	50	0,41	0,34/3,4	0,3/3	1300	3

□ : SHAFT SHAPE (S : STRAIGHT, G : PINION)

RATED TORQUE OF GEARHEAD

● 50Hz

unit = above : N · m / below : kgfcm

Model	Speed(rpm)	500	416	300	250	200	166	150	120	100	83	75	60	50	41	37	30	25	20	16	15	12,5	10	8,3	7,5
Motor/ Gearhead	Ratio	3	3,6	5	6	7,5	9	10	12,5	15	18	20	25	30	36	40	50	60	75	90	100	120	150	180	200
K9R□40N□(-T, -T5) K9G□B(C)	0,73	0,87	1,22	1,46	1,82	2,19	2,43	3,04	3,65	4,37	4,37	5,47	6,56	7,87	8,75	10	10	10	10	10	10	10	10	10	10
	7,3	8,7	12,2	14,6	18,2	21,9	24,3	30,4	36,5	43,7	43,7	54,7	65,6	78,7	87,5	100	100	100	100	100	100	100	100	100	100

● 60Hz

unit = above : N · m / below : kgfcm

Model	Speed(rpm)	600	500	360	300	240	200	180	144	120	100	90	72	60	50	45	36	30	24	20	18	15	12	10	9
Motor/ Gearhead	Ratio	3	3,6	5	6	7,5	9	10	12,5	15	18	20	25	30	36	40	50	60	75	90	100	120	150	180	200
K9R□40N□(-T, -T5) K9G□B(C)	0,62	0,74	1,03	1,24	1,55	1,86	2,07	2,58	3,10	3,72	3,72	4,65	5,58	6,69	7,44	8,37	10	10	10	10	10	10	10	10	10
	6,2	7,4	10,3	12,4	15,5	18,6	20,7	25,8	31,0	37,2	37,2	46,5	55,8	66,9	74,4	83,7	100	100	100	100	100	100	100	100	100

* Gearhead and decimal gearhead are sold separately.

* The code in □ of gearhead model is for gear ratio.

* color indicates that the output shaft of the geared motor rotates in the same direction as the output shaft of the motor. Others indicate rotation in the opposite direction.

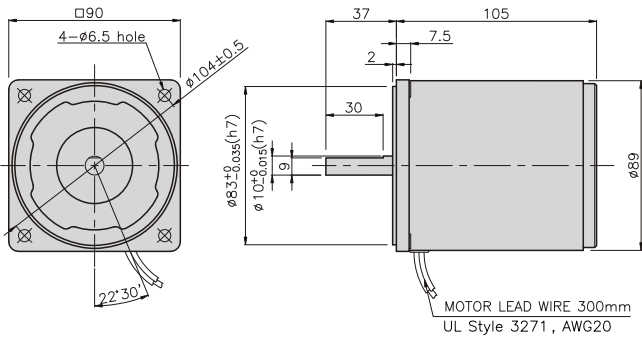
* If you are to have less ratio than the ratio in the table, you can install the decimal gearhead, which has one tenth of the ratio, between the gearhead and the motor. In this case, the permissible torque is 10N · m/100kgfcm.

* RPM is based on motor's synchronous rpm (50HZ:1500rpm, 60HZ:1800rpm) and calculated by dividing gear ratio. Actual rpm is 2~20% less than indicating rpm according to load size.

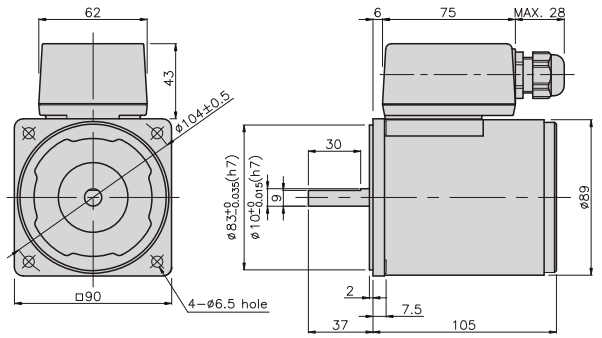
GEARHEADS

DIMENSIONS

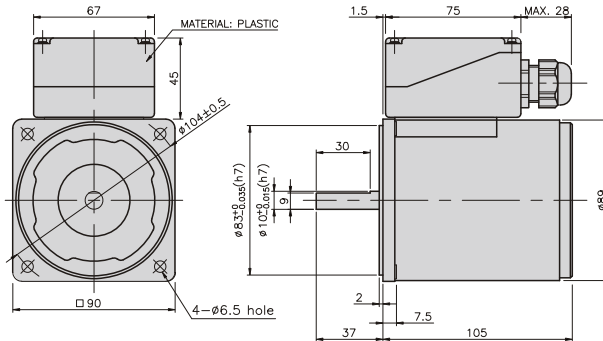
K9RS40N □



K9RS40N □-T



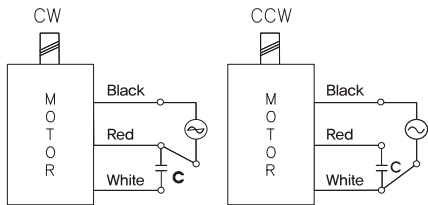
K9RS40N □-T5



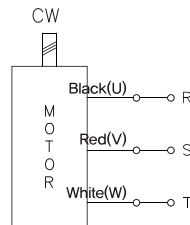
CONNECTION DIAGRAMS

K9RS40N □

single phase motor



three phase motor

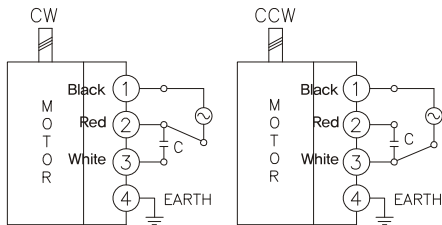


connecting two leadwires of U,V,W in turns

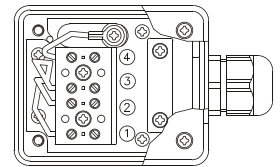
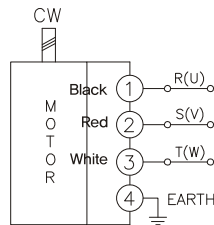
The direction of motor rotation is as viewed from the front shaft end of the motor

K9RS40N □-T

single phase motor



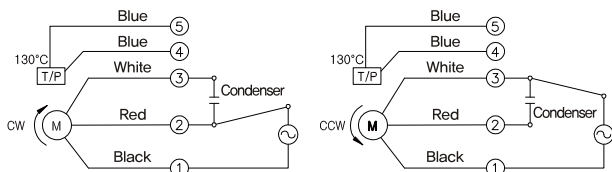
three phase motor



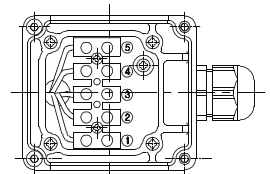
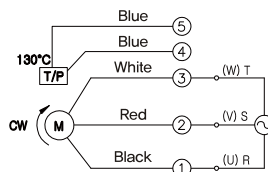
The direction of motor rotation is as viewed from the front shaft end of the motor

K9RS40N □-T5

single phase motor



three phase motor



connecting two leadwires of U,V,W in turns

The direction of motor rotation is as viewed from the front shaft end of the motor

GEARHEADS

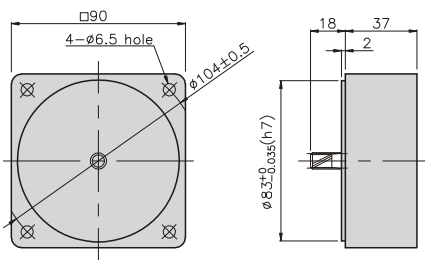
DIMENSIONS

K9G□B(C)



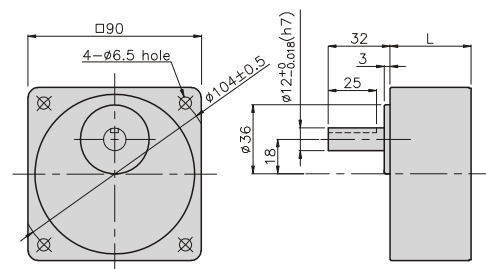
DECIMAL GEARHEAD

K9G10BX



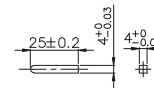
GEAR HEAD

K9G□B(C)



• KEY

• KEY GROOVE



GEARHEADS

DIMENSIONS

K9RG40N□ + K9G□B(C)



K9RG40N□-T(-T5) + K9G□B(C)



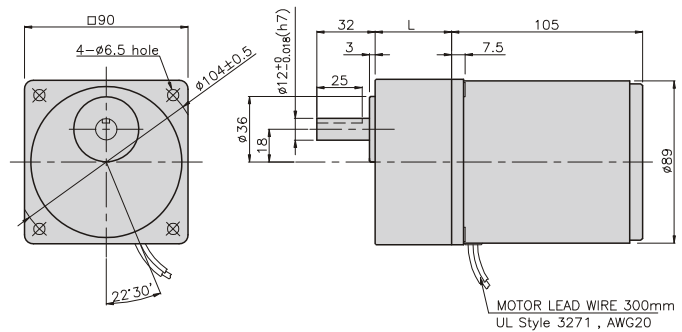
DIMENSION TABLE

PART No	L	Application Model	Mounting BOLT
01	42	K9G3~18B(C)	M6 P1,0 X 65
02	60	K9G20~200B(C)	M6 P1,0 X 80
03	37	K9G10BX	M6 P1,0 X 120

WEIGHT

PART	WEIGHT(kg)	
MOTOR	2,36	
DECIMAL GEAR HEAD	0,60	
GEAR HEAD	K9G3~18B(C)	0,78
	K9G20~40B(C)	1,04
	K9G50~200B(C)	1,14

K9RG40N□ + K9G□B(C)



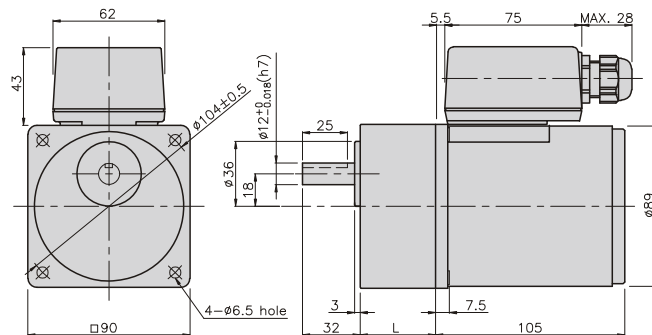
DIMENSION TABLE

PART No	L	Application Model	Mounting BOLT
01	42	K9G3~18B(C)	M5 P1,0 X 65
02	60	K9G20~200B(C)	M5 P1,0 X 80
03	37	K9G10BX	M5 P1,0 X 120

WEIGHT

PART	WEIGHT(kg)	
MOTOR	2,52	
DECIMAL GEAR HEAD	0,60	
GEAR HEAD	K9G3~18B(C)	0,78
	K9G20~40B(C)	1,04
	K9G50~200B(C)	1,14

K9RG40N□-T + K9G□B(C)



DIMENSION TABLE

PART No	L	Application Model	Mounting BOLT
01	42	K9G3~18B(C)	M5 P1,0 X 65
02	60	K9G20~200B(C)	M5 P1,0 X 80
03	37	K9G10BX	M5 P1,0 X 120

WEIGHT

PART	WEIGHT(kg)	
MOTOR	2,52	
DECIMAL GEAR HEAD	0,60	
GEAR HEAD	K9G3~18B(C)	0,78
	K9G20~40B(C)	1,04
	K9G50~200B(C)	1,14

K9RG40N□-T5 + K9G□B(C)

