

1

2

3

4

A

A

B

B

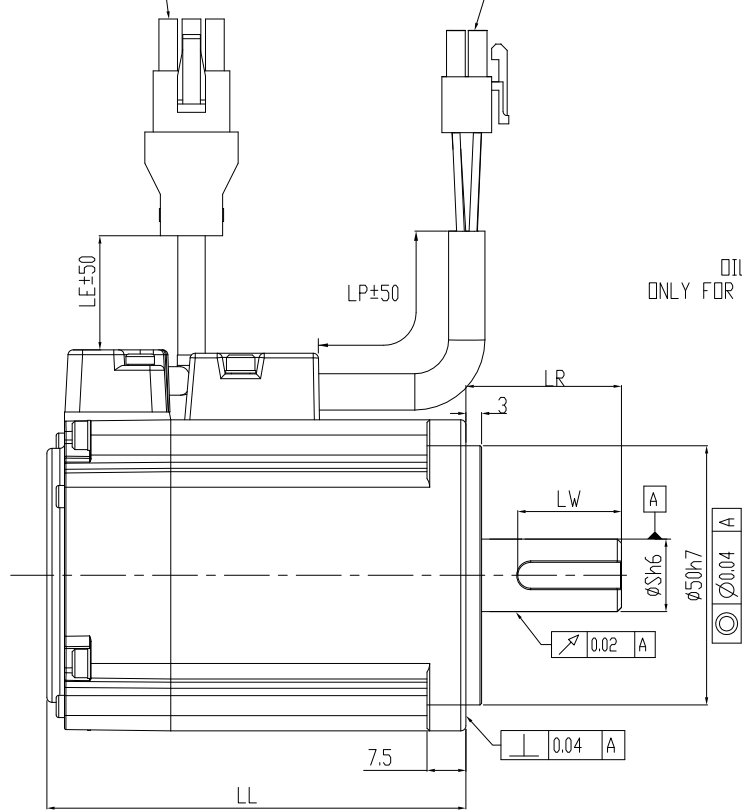
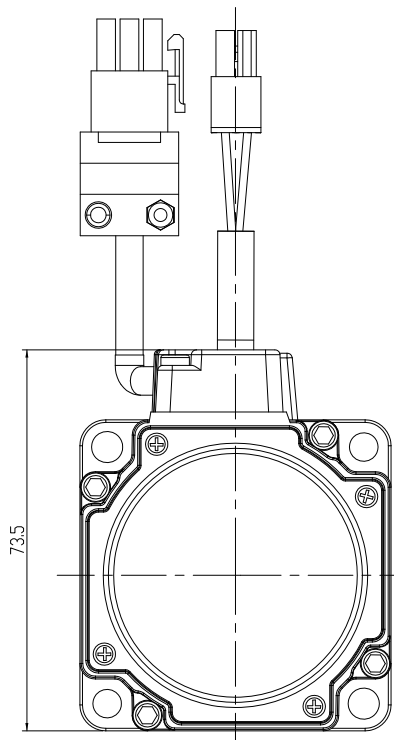
C

C

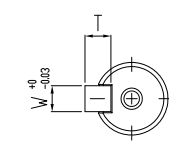
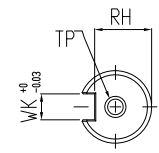
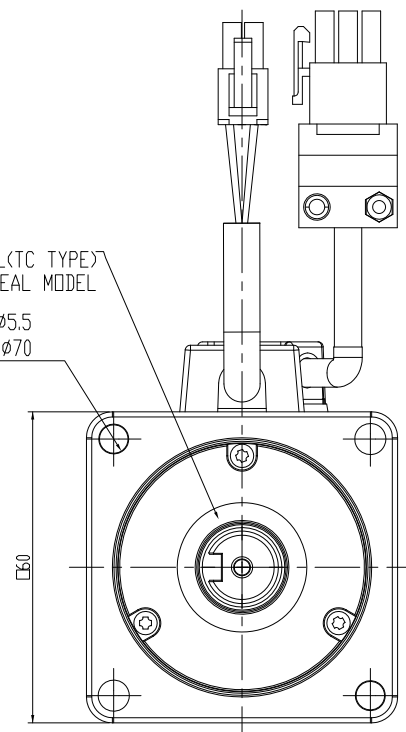
REV.	ECN NO.
00	-----

ENCODER CONNECTOR
AMP 1-172169-9

MOTOR CONNECTOR
CP-01104011



OIL-SEAL(TC TYPE)
ONLY FOR OIL-SEAL MODEL
4- $\phi 5.5$
PCD $\phi 70$



SHAFT END DETAILS

KEY DETAILS

DIMENSION TABLE (MODEL WITHOUT BRAKE)

MODEL	LL	LR	S	LW	WK	W	T	RH	TP	LE	LP
ECM-A3H-CX0602RSX	84	30	14	20	5	5	5	11	M4, Depth 8	300	300
ECM-A3L-CX0602RSX	84	30	14	20	5	5	5	11	M4, Depth 8	300	300
ECM-A3H-CX0604RSX	106	30	14	20	5	5	5	11	M4, Depth 8	300	300
ECM-A3L-CX0604RSX	106	30	14	20	5	5	5	11	M4, Depth 8	300	300

台達電子工業股份有限公司 DELTA ELECTRONICS, INC.		DRAWN:	DESIGN:
THESE DRAWINGS AND SPECIFICATIONS ARE THE PROPERTY OF DELTA ELECTRONICS, INC. AND SHALL NOT BE REPRODUCED OR USED AS THE BASIS FOR THE MANUFACTURE OR SELL OF APPARATUSSES OR DEVICES WITHOUT PERMISSION.		APPROVE:	DATE: 06/05/2017
DIMENSIONAL TOLERANCES () () () ANGLES DECIMALS ≤ 50 ± 0.1 <math>< 50</math> ± 0.15 ≤ 50 ± 0.2 $> 30'$ $\pm 0.1'$ X ± 0.3 $> 50-100$ ± 0.15 $> 50-100$ ± 0.2 $> 50-100$ ± 0.25 $> 30'$ $\pm 0.3'$ X.X ± 0.2 $> 100-200$ ± 0.2 $> 100-200$ ± 0.25 $> 100-200$ ± 0.3 $> 60'$ $\pm 0.5'$ X.XX ± 0.1 $> 200-$ $\pm 0.2%$ $> 200-$ $\pm 0.25%$ $> 200-$ $\pm 0.3%$		DESCRIPTION: CONFIDENTIAL ECM-A3X-F60	
USED ON	UNIT mm	SCALE 1,000	SHEET 1 OF 1
PART NO.:			REV. 00

1

2

3

4