

1

2

3

4

A

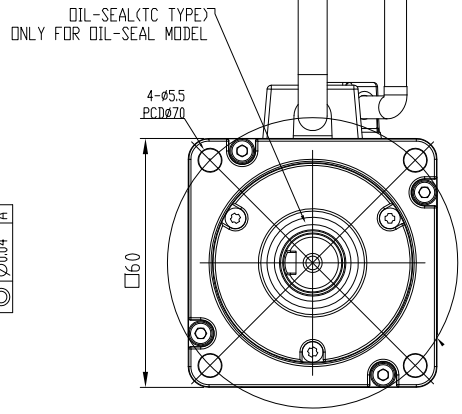
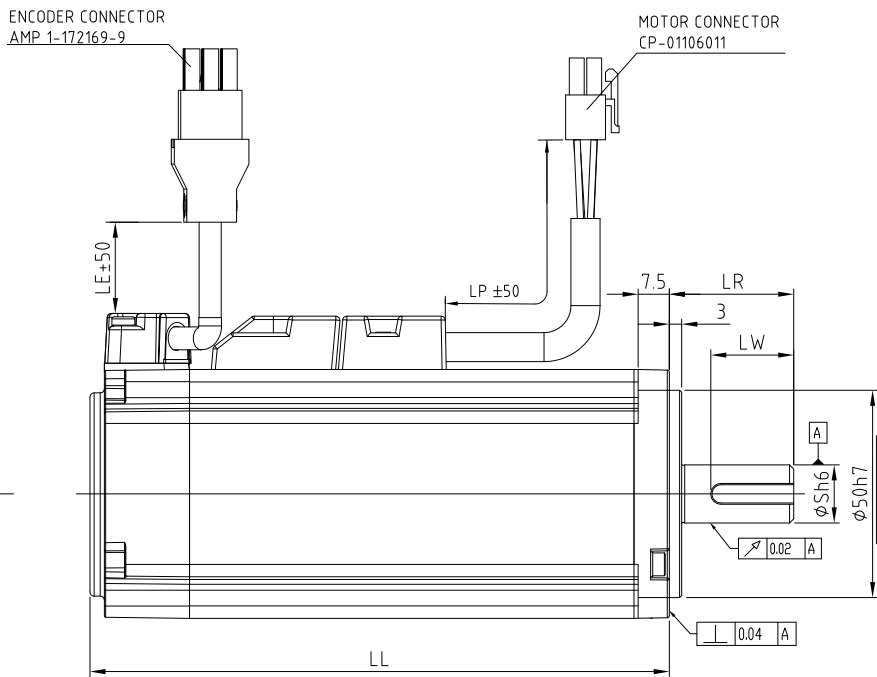
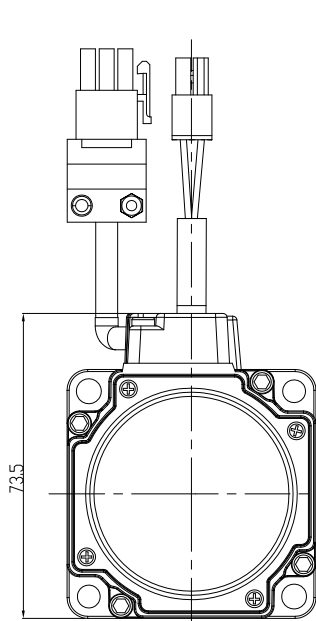
A

B

B

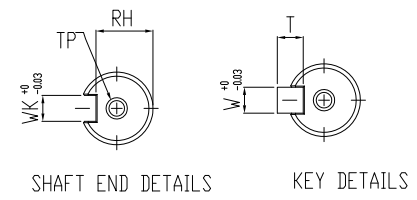
C

C



DIMENSION TABLE (MODEL WITH BRAKE)

MODEL	LL	LR	S	LW	WK	W	T	RH	TP	LE	LP
ECM-A3H-CX0602SSX	117.6	30	14	20	5	5	5	11	M4, Depth 8	300	300
ECM-A3L-CX0602SSX	117.6	30	14	20	5	5	5	11	M4, Depth 8	300	300
ECM-A3H-CX0604SSX	139.7	30	14	20	5	5	5	11	M4, Depth 8	300	300
ECM-A3L-CX0604SSX	139.7	30	14	20	5	5	5	11	M4, Depth 8	300	300



REV.	ECN NO.
00	-----

台達電子工業股份有限公司 DELTA ELECTRONICS, INC.		DRAWN:	DESIGN:
THESE DRAWINGS AND SPECIFICATIONS ARE THE PROPERTY OF DELTA ELECTRONICS, INC. AND SHALL NOT BE REPRODUCED OR USED AS THE BASIS FOR THE MANUFACTURE OR SELL OF APPARATUSSES OR DEVICES WITHOUT PERMISSION.		APPROVE:	DATE: 06/05/2017
DIMENSIONAL TOLERANCES (V) () ANGLES DECIMALS ±50 ±0.1 <50 ±0.15 <50 ±0.2 <30' ±0.1' X ±0.3 >50-100 ±0.15 >50-100 ±0.2 >50-100 ±0.25 >30'-60' ±0.3' X.X ±0.2 >100-200±0.2 >100-200±0.25 >100-200±0.3 >60'-90' ±0.5' X.XX±0.1 >200- ±0.2% >200- ±0.25% >200- ±0.3%		DESCRIPTION: CONFIDENTIAL ECM-A3X-F60-BRAKE	
USED ON:	A3 SIZE THIRD ANGLE PROJECTION	PART NO.:	REV. 00
UNIT: mm	SCALE: 0.750	SHEET 1 OF 1	

1

2

3

4