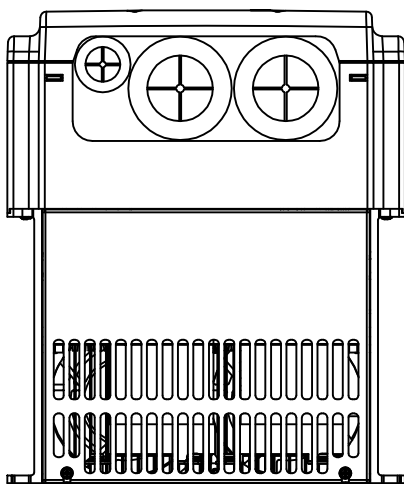
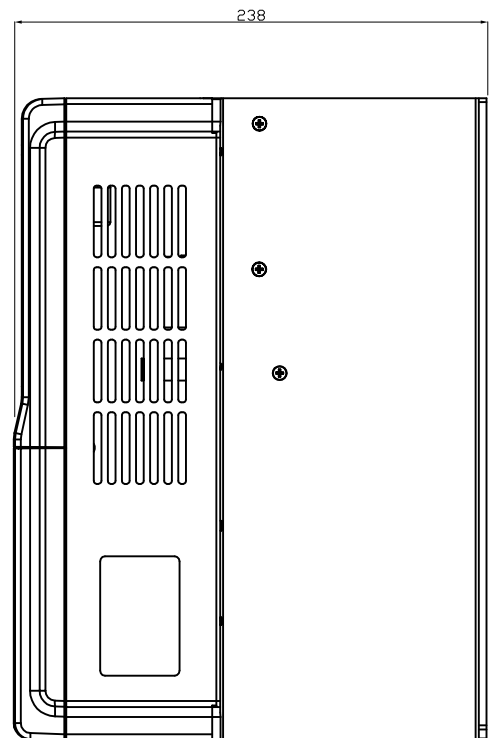
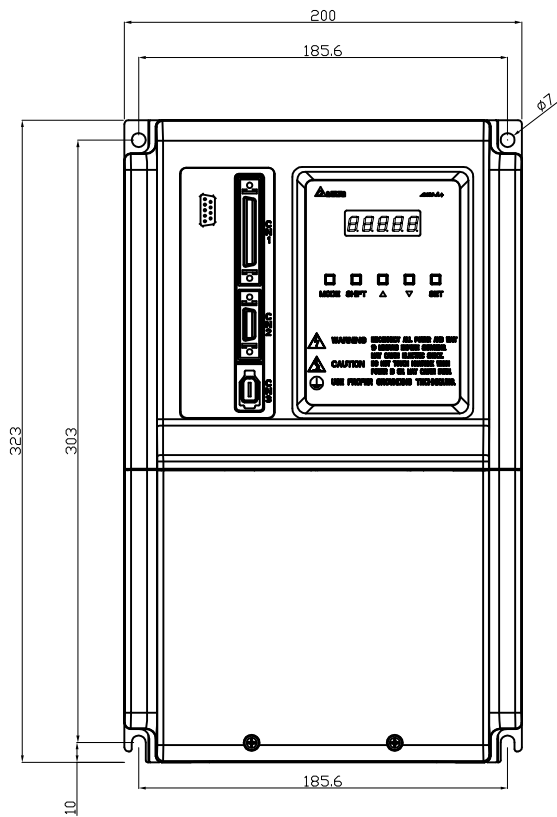


DRAWING_1

FRAME E

PHYSICAL DIMENSION

UNITS:mm(inch)



台達電子工業股份有限公司
DELTA DELTA ELECTRONICS, INC.

THESE DRAWINGS AND SPECIFICATIONS ARE THE PROPERTY OF DELTA ELECTRONICS, INC. AND SHALL NOT BE REPRODUCED OR USED AS THE BASIS FOR THE MANUFACTURE OR SELL OF APPARATUSES OR DEVICES WITHOUT PERMISSION.

DOCUMENT NAME

ASD_ASD-A&AB_FRAME-E_DWG00

DRAWING_2

A+ SERIES:
ASD-A7523-B

04		
03		
02		
01		
00	ISSUE	20141215
REV.	DESCRIPTION	DATE
DRAWN	Welly	DESIGN Welly