



Automation for a Changing World

Delta Machine Vision System DMV1000 Series

Delta Machine Vision Solution

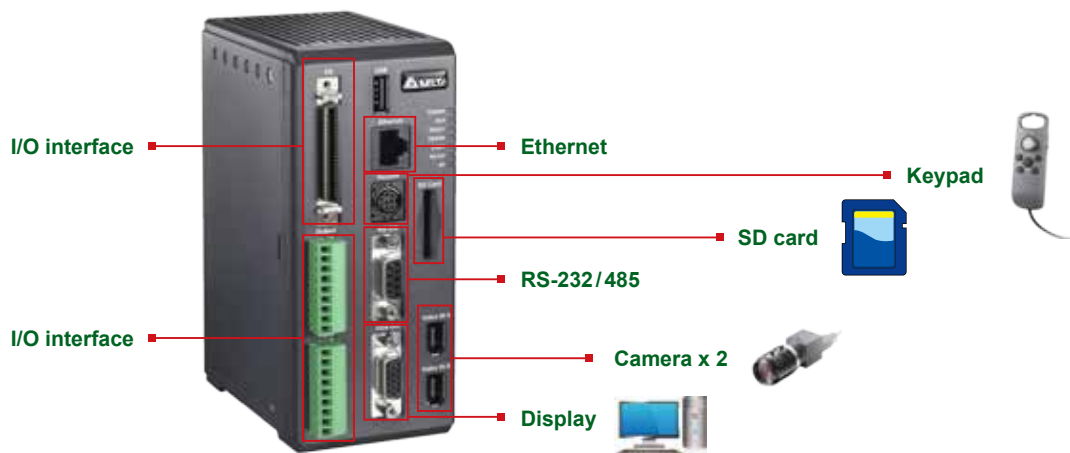
Intelligent Human Visual Inspection System for a Variety of Applications

DMV1000 - Industrial Machine Vision System

Delta's DMV1000 Series Machine Vision System provides a user-friendly interface that with just a few simple steps, can simulate the visual quality inspection process on a production line by capturing clear images of moving objects using an IEEE 1394 series high-speed digital camera. Detection, measuring, counting, identification, comparing, alignment, coordination and positioning take only one pass to fulfill the total inspection requirement for a variety of applications.

The DMV1000 series is equipped with built-in camera flash control and dual cameras simultaneous control functions. The built-in camera flash is triggered at fixed times and operates synchronously with two cameras, which reduces the hardware cost spent on flash controllers and the machine vision system. It also supports Ethernet, serial communication and multiple I/O interfaces for rapid data transmission to a PLC and other kinds of host controllers. High speed, high precision and multi-processing capabilities make the DMV1000 series an intelligent, user-friendly, and reliable machine vision system ideal for any automation system.

Part Names and Functions



- **I/O Interface 1:** Parallel I/O interface, one 50-pin mixed input/output terminal block
- **I/O Interface 2:** Input/Output European-type terminal blocks, one 9-pin output terminal block and one 9-pin input terminal block
- **Ethernet:** Connects to PC for images transfer and process
- **Keypad:** Special keypad used to setup and operate with the DMV1000 system
- **SD card:** Stores programs, parameters, records and images of the DMV1000 system
- **RS-232/485:** Connects to Delta's PLC or other brands of controllers rapidly through standard RS-232 communication without complicated user-defined programs
- **Camera:** Connects to two standard 1394a cameras
- **Display:** Standard SVGA output interface


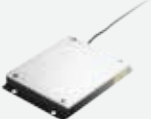




DMV1000 System Features

- ▶ Built-in multi-functional developing tools
- ▶ New user-friendly operation interface
- ▶ High specification hardware with performance better than comparable products
- ▶ Ethernet, RS-232 and RS-485 interfaces for data output
- ▶ Passes high industrial standards superior to PC-based systems
- ▶ Built-in camera flash control function
- ▶ Built-in PLC communication reduces program compilations
- ▶ Displays the images, inspection records and data in real time
- ▶ Provides a complete product line-up
- ▶ Supports SD card (16 GB)
- ▶ Flowchart programming interface saves development time
- ▶ Versatile digital I/O interface
- ▶ Compact and light, saves wiring and space easily

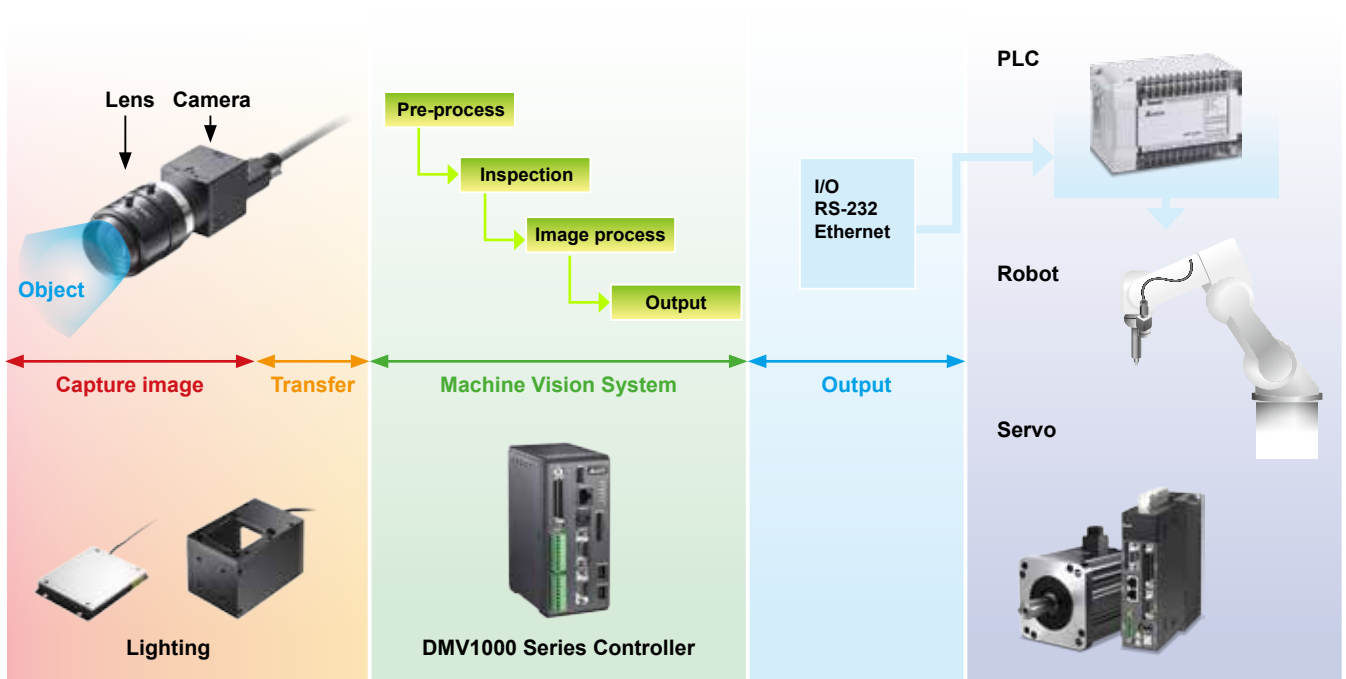
Controller and Optional Accessories

Controller	Keypad	Camera	Cable
			
DMV1000-80GXC	DMV1000-KEY	DMV-CDA80GS (Grey scale, standard) DMV-CDA30GS (Grey scale, standard)	DMV-CA45 (4.5m standard)

Lighting			
			
DMV-PS12C1 DMV-PS12C2 DMV-CA30P	DMV-BL60R	DMV-CX40W	DMV-DR6736R DMV-DR6736W DMV-DR6736D

Specific Lenses for Industrial Cameras					
					
DMV-LN08M (focal length: 8 mm, Mega-pixel)	DMV-LN12M (focal length: 12 mm, Mega-pixel)	DMV-LN16M (focal length: 16 mm, Mega-pixel)	DMV-LN25M (focal length: 25 mm, Mega-pixel)	DMV-LN35M (focal length: 35 mm, Mega-pixel)	DMV-LN50M (focal length: 50 mm, Mega-pixel)

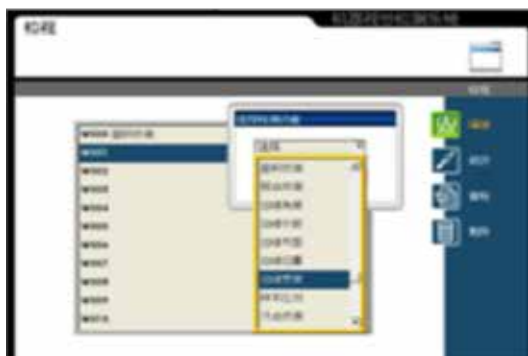
System Configuration



New User-Friendly Flowchart Interface

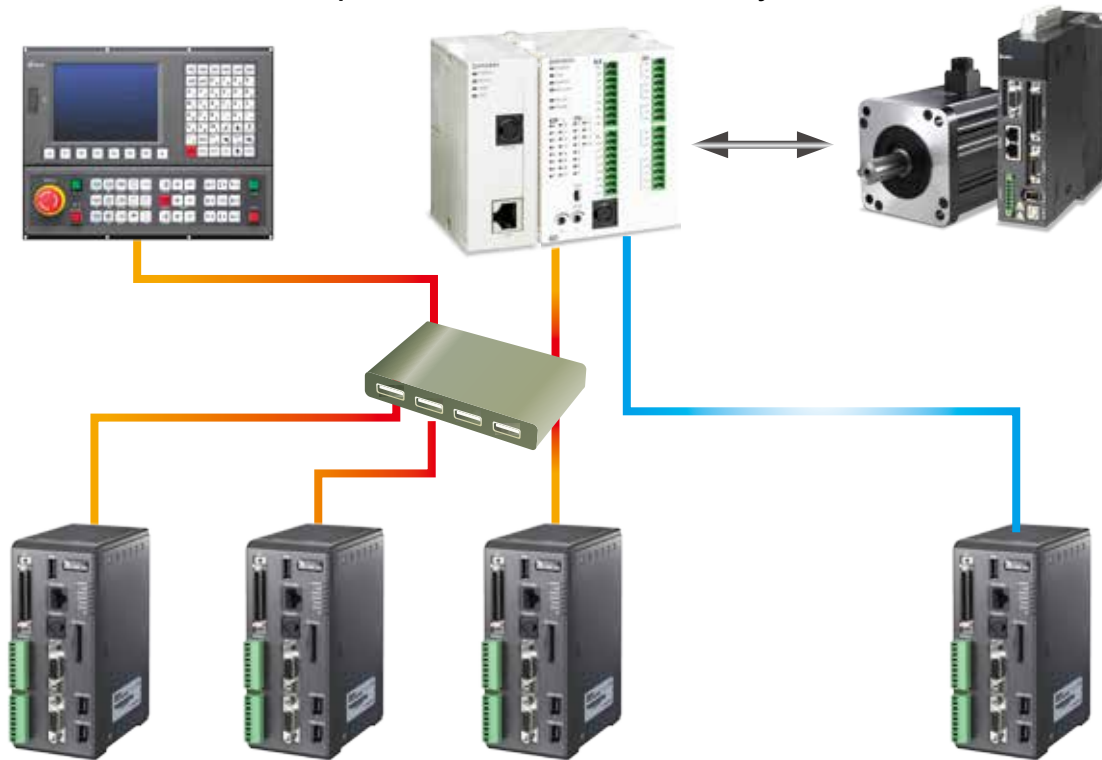
- ▶ Sets up camera related parameters
- ▶ Selects inspection mode
- ▶ Edits image processing results
- ▶ Sets output mode and content

Easy to Use!
Simple to Start!



Ethernet, RS-232 Communication Interfaces

Rapid Connection to External Control System.



“Goalkeeper” on Production Line

- ▶ **High Precision:** Provides high-resolution visual control for accurate and stable inspection
- ▶ **Continuity:** Replaces labor and provides uninterrupted service
- ▶ **Flexibility:** Offers convenient software setting for objects inspection
- ▶ **Repeatability:** Non-contact, no abrasion or damage

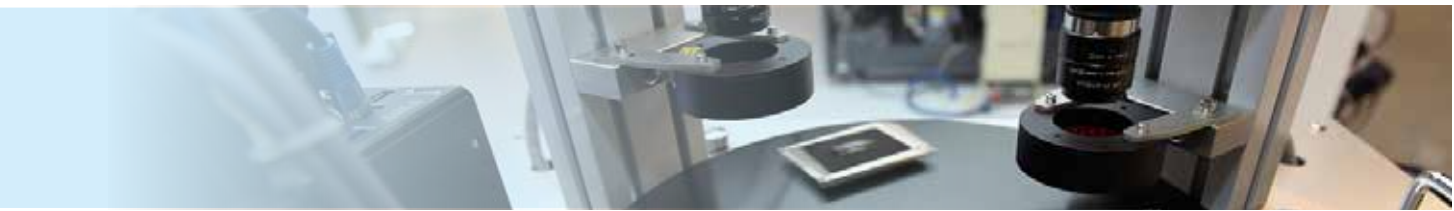
Improve quality, reduce RMA returns
Increase production capacity, lower labor costs





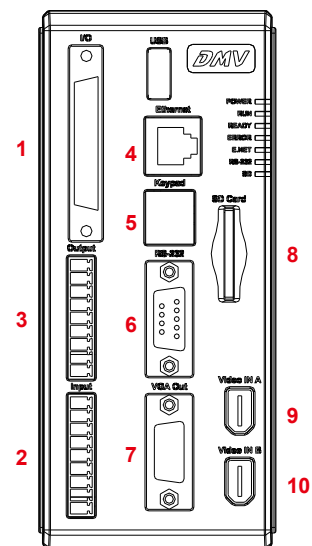
Specifications

General Specifications	<ul style="list-style-type: none"> ▶ Power supply: 24 V_{DC} ▶ Operation voltage range: 21.6~26.4 V ▶ Rated consumption current: 1A below ▶ Battery life: 5 years ▶ Vibration resistance: 10~55 Hz 10 m/s, 3-axis direction for 10 min ▶ Shock resistance: max. 300 m/s, 3-axis (6 directions), each 3 times ▶ Operating ambient temperature: 0°C~+50°C ▶ Storage temperature: -20°C~+65°C ▶ Operating relative humidity: 35%~65% RH (non-condensing) ▶ Altitude : under 2000 m
Camera	<ul style="list-style-type: none"> ▶ Model: IEEE 1394a digital gray scale ▶ Pixel: 640 × 480 (300,000-pixel)/80 fps, 1024 x 768 (800,000-pixel) / 30 fps ▶ Qty: Max. 2 ▶ Shutter speed: 0.05 ms~1 s or user-defined (16 kinds of speeds) ▶ Interface: C mount
Number of Projects	<ul style="list-style-type: none"> ▶ 32 projects in internal memory, 968 projects in SD Card
Inspection Window	<ul style="list-style-type: none"> ▶ Qty: 128/project ▶ Functions: Area, Edge position, Edge count, Edge width, Edge pitch, Edge angle, Pattern matching, Shape matching, Image intensity, Blob, Stain, Edge tracking, Width tracking ▶ ROI type: Rectangle, Circle, Polygon, Ellipse, Ring, Sector, Rotated Rectangle ▶ Mask number: 4/inspection window
Preprocess	<ul style="list-style-type: none"> ▶ Setup: 6 types ▶ Type: Gray out, Dilation, Erosion, Averaging, Median, Sharpen, Laplacian, SobelX, SobelY, Sobel, Prewitt, Roberts, Subtract (total 13 types)
Execution Mode	<ul style="list-style-type: none"> ▶ Always Execute, Never Execute, Reference Execute
Numerical Calculation	<ul style="list-style-type: none"> ▶ Qty: 32 ▶ Four arithmetic operations: Plus, Subtract, Multiply, Divide ▶ Functions (36 types): MAX, MIN, AVG, ABS, MOD, POW, SQR, SQRT, INT, ROUND, SIN, COS, TAN, ASIN, ACOS, ATAN, DIST, ISECT_X, ISECT_Y, LINE_DIST, LINE_DIST_X, LINE_DIST_Y, ANGLE, LINE_ANGLE, D_LINE_ANGLE, CIRCLE_X, CIRCLE_Y, CIRCLE_R, PANEL_ANGLE, PANEL_DIST, NOT, RAD, DEG, PI, LE, EQ
Boolean Calculation	<ul style="list-style-type: none"> ▶ Qty: 32 ▶ Type: AND, OR, XOR, NOT
Communication Interface	<ul style="list-style-type: none"> ▶ RS-232 (Max.115200 bps), Ethernet (10/100BASE-T), RS-485
Display	<ul style="list-style-type: none"> ▶ Screen display: SVGA 800 × 600 output ▶ Display scale: 20%~200% adjustable ▶ Language: Traditional Chinese, Simple Chinese, English
Camera Flash Control	<ul style="list-style-type: none"> ▶ Mode: I/O control, 2 lights independent setting
Memory Card	<ul style="list-style-type: none"> ▶ SD Card (Max. 16GB)



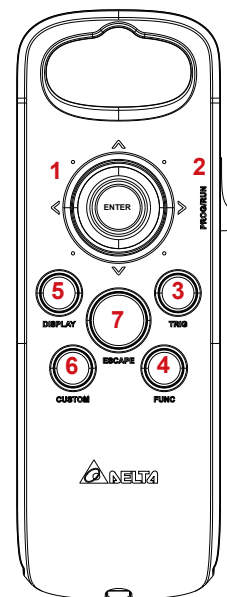
Controller Parts

NO.	Name	Description
1	Parallel I/O interface	Input/Output
2	Input terminal	Input
3	Output terminal	Output
4	Ethernet	10/100BASE-T communication
5	Keypad connector	Connect to keypad
6	RS-232/RS-485 serial port	Supports Master, Slave serial communication
7	VGA output port	Connects to external VGA monitor made by other manufacturers
8	SD memory card	Stores the project settings and images backup
9	Camera 1 connector	Resolution: 1024 × 768, 640 × 480
10	Camera 2 connector	Resolution: 1024 × 768, 640 × 480



Keypad Parts

NO.	Name	Description
1	Move and Enter	8 directions selectable and enter setting
2	PROG/RUN	Switches between programming mode and run mode
3	TRIG	Inspection trigger
4	FUNC	Selects different modes during RUN operation
5	DISPLAY	Switches screen between camera 1 and camera 2
6	CUSTOM	Image preprocessing select
7	ESCAPE	Exit key

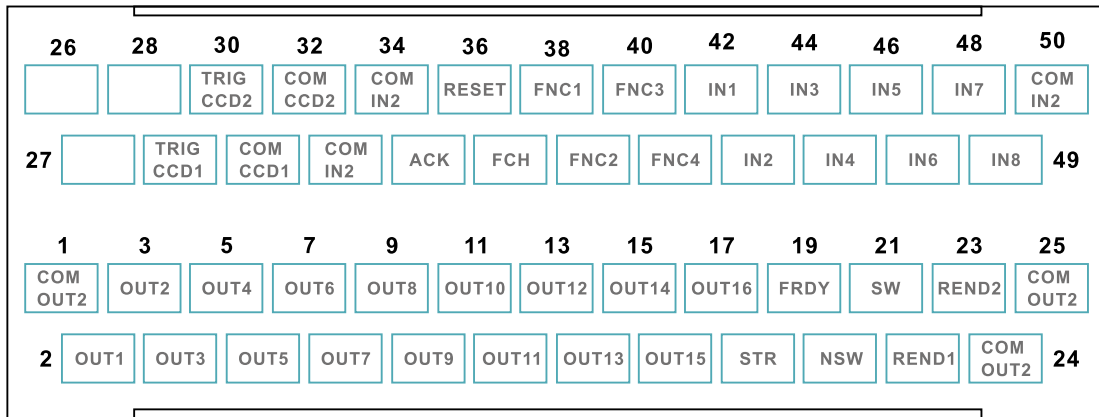


Built-in Multi-Functional Vision Development Tools

- ▶ Area measuring
- ▶ Detection of edge position, distance, counter, angle
- ▶ Stain and blob detection
- ▶ Shape Finder
- ▶ Coordinate and angle calculation
- ▶ Edge and image tracing measurement



50-pin I/O Mixed Terminal



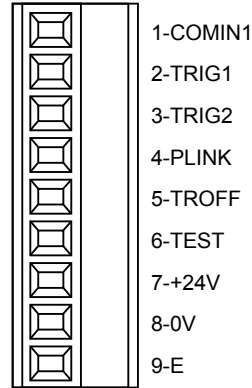
Signal Identification for Wiring

Pin	Name	Description	Status
1	COMOUT2	50-pin output COM	Output
2	OUT1	Parallel output 1	Output
3	OUT2	Parallel output 2	Output
4	OUT3	Parallel output 3	Output
5	OUT4	Parallel output 4	Output
6	OUT5	Parallel output 5	Output
7	OUT6	Parallel output 6	Output
8	OUT7	Parallel output 7	Output
9	OUT8	Parallel output 8	Output
10	OUT9	Parallel output 9	Output
11	OUT10	Parallel output 10	Output
12	OUT11	Parallel output 11	Output
13	OUT12	Parallel output 12	Output
14	OUT13	Parallel output 13	Output
15	OUT14	Parallel output 14	Output
16	OUT15	Parallel output 15	Output
17	OUT16	Parallel output 16	Output
18	STR	Parallel output handshaking sign	Output
19	FRDY	Enable function switch sign	Output
20	NSW	Fail function switch sign	Output
21	SW	Success function switch sign	Output
22	REND1	Camera 1 capture image	Output
23	REND2	Camera 2 capture image	Output
24	COMOUT2	50-pin output COM	Output
25	COMOUT2	50-pin output COM	Output

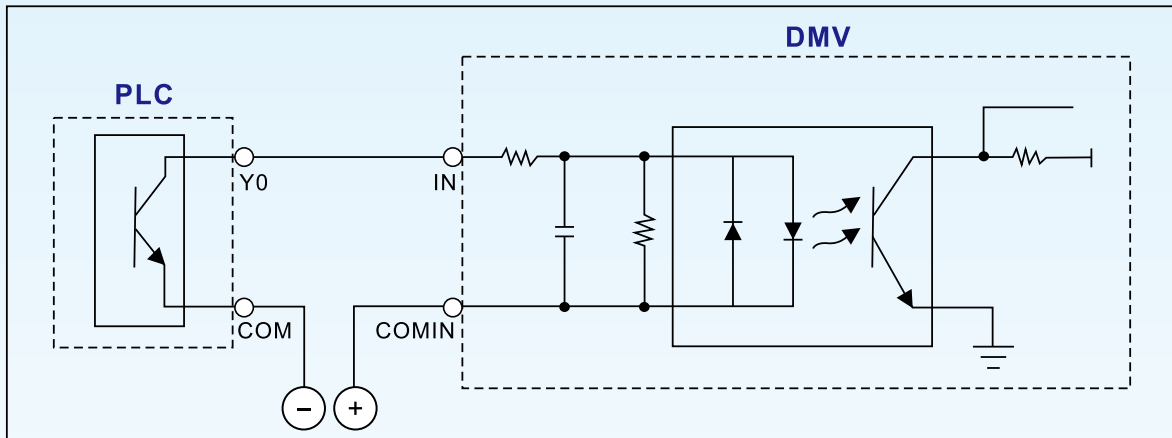
Pin	Name	Description	Status
26		No use	---
27		No use	---
28		No use	---
29	TRIGCCD1	Camera 1 image capture internal trigger	Internal
30	TRIGCCD2	Camera 2 image capture internal trigger	Internal
31	COMCCD1	TRIGCCD 1 specific COM	Internal
32	COMCCD2	TRIGCCD 2 specific COM	Internal
33	COMIN2	50-pin input COM	Input
34	COMIN2	50-pin input COM	Input
35	ACK	Parallel output handshaking sign	Input
36	RESET	System reset	Input
37	FCH	Function select start trigger	Input
38	FNC1	Function 1	Input
39	FNC2	Function 2	Input
40	FNC3	Function 3	Input
41	FNC4	Function 4	Input
42	IN1	Input 1	Input
43	IN2	Input 2	Input
44	IN3	Input 3	Input
45	IN4	Input 4	Input
46	IN5	Input 5	Input
47	IN6	Input 6	Input
48	IN7	Input 7	Input
49	IN8	Input 8	Input
50	COMIN2	50-pin input COM	Input

9-pin Input Terminal Block

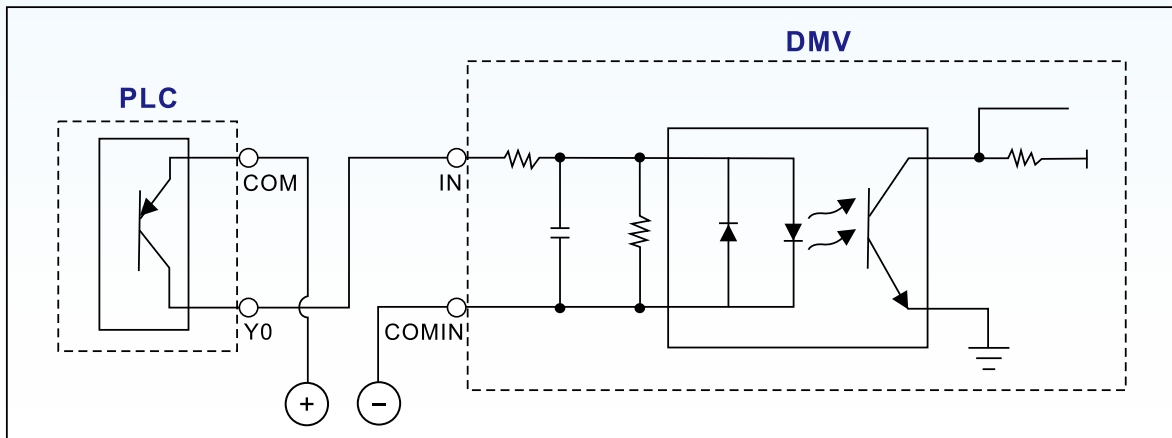
NO.	Name	Description
1	COMIN1	9-pin input COM
2	TRIG1	Camera 1 image capture trigger
3	TRIG2	Camera 2 image capture trigger
4	PLINK	PLC communication link start sign
5	TROFF	Disable image capture trigger
6	TEST	Test condition (no data output)
7	+24V	Power positive input
8	0V	Power negative input
9	E	Grounding



Input Circuit (NPN)

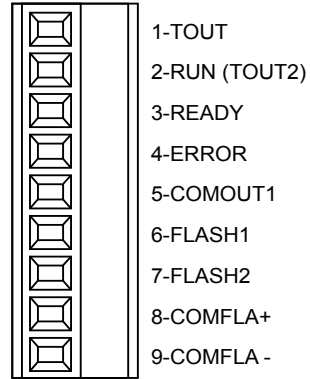


Input Circuit (PNP)

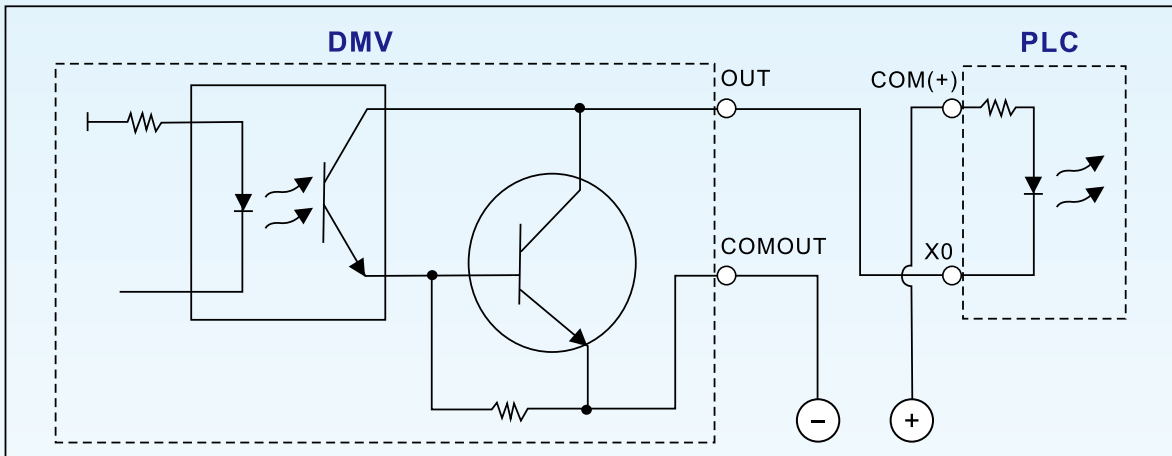


9-pin Output Terminal Block

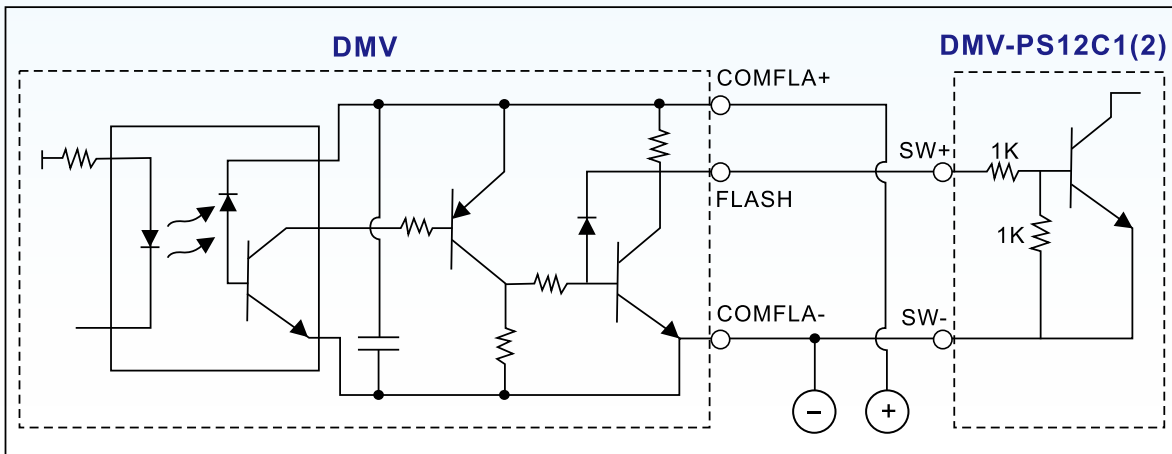
NO.	Name	Description
1	TOUT	Final result output
2	RUN (TOUT2)	RUN status indication (Final result output 2)
3	READY	Controller is ready for outputting the required images
4	ERROR	Error indication
5	COMOUT1	9-pin output COM
6	FLASH1	Camera 1 Flash output
7	FLASH2	Camera 2 Flash output
8	COMFLA+	Flash output positive COM
9	COMFLA-	Flash output negative COM



Output Circuit (NPN output) (FLASH1 and FLASH2 exclusive)



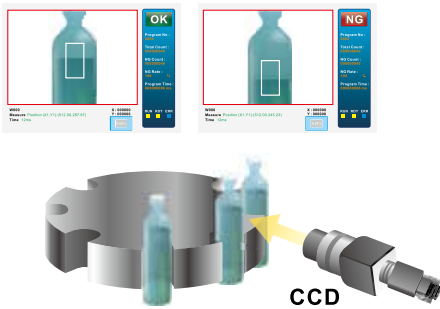
FLASH 1&2 Output Circuit (NPN output)



Applications

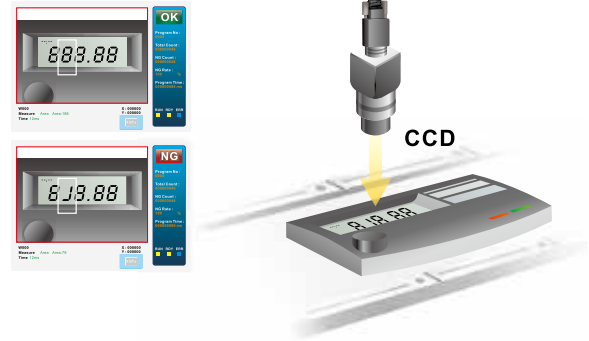
Beverage Packing Inspection

Inspects the liquid level of each bottle



Character Inspection

Inspects the characters on electronic devices



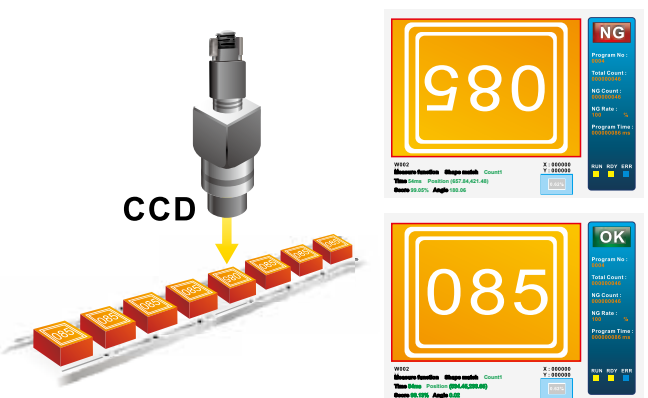
Bottle Cap Position Identification

Identifies the bottle capping position



Direction Identification

Inspects the direction of work pieces conveyed on a production line



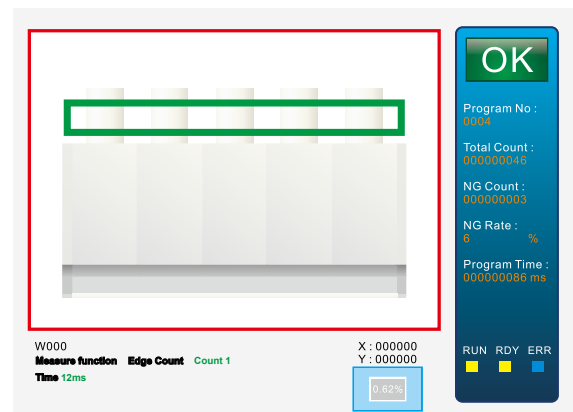
Positioning

Positionings control integrated with robot



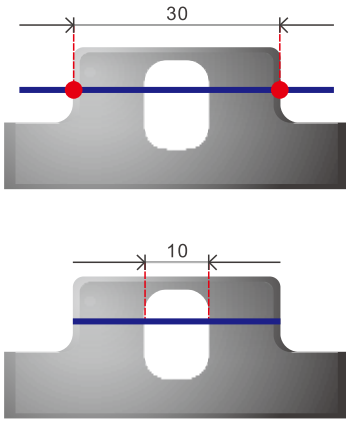
Pin Number Counting

Counts connector pin numbers automatically



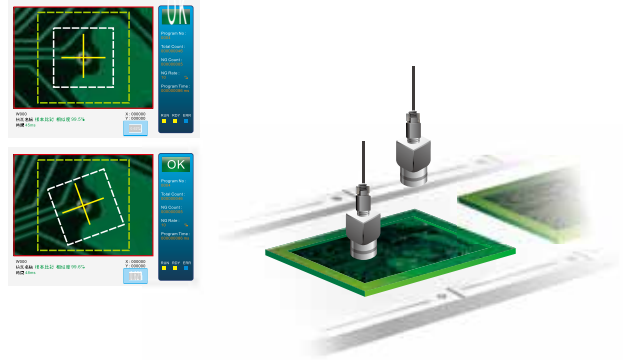
Dimensions Measurement

Measures the dimensions of components automatically



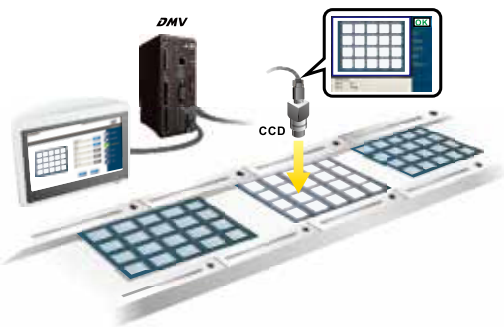
Alignment System

Aligns the positions of PCB and TFT panels automatically



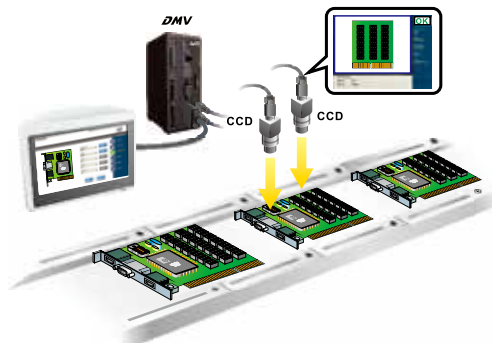
Luminance Inspection

Inspects LED luminance automatically



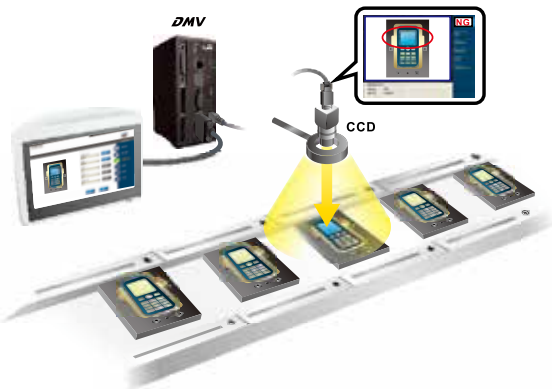
Position Identification

Inspects the position of IC components on PCB boards



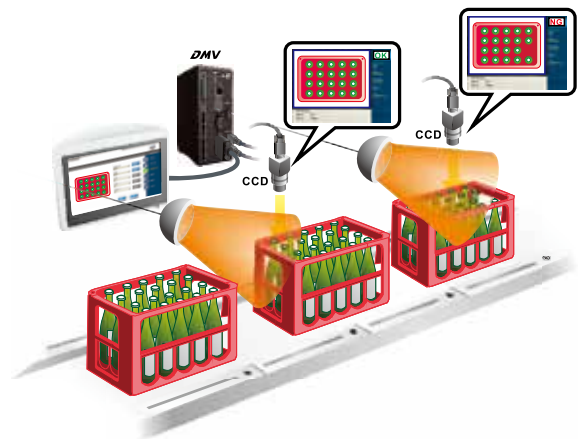
Module Inspection

Inspects the normality of mobile phone modules, such as touchscreens and push buttons



Object Counting

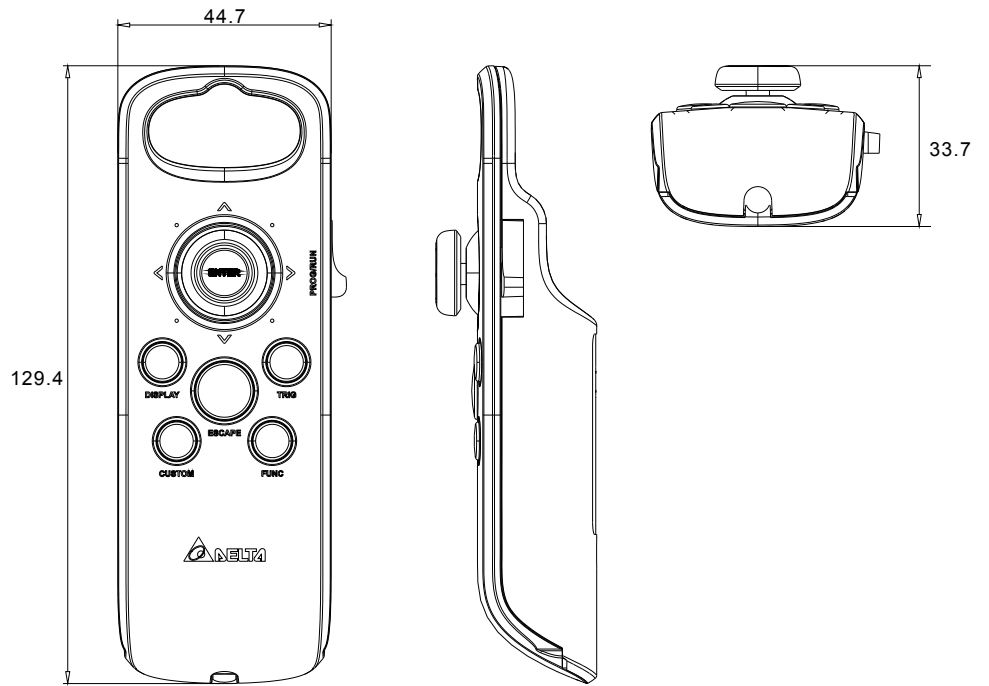
Counts the quantity of objects in a basket or carton





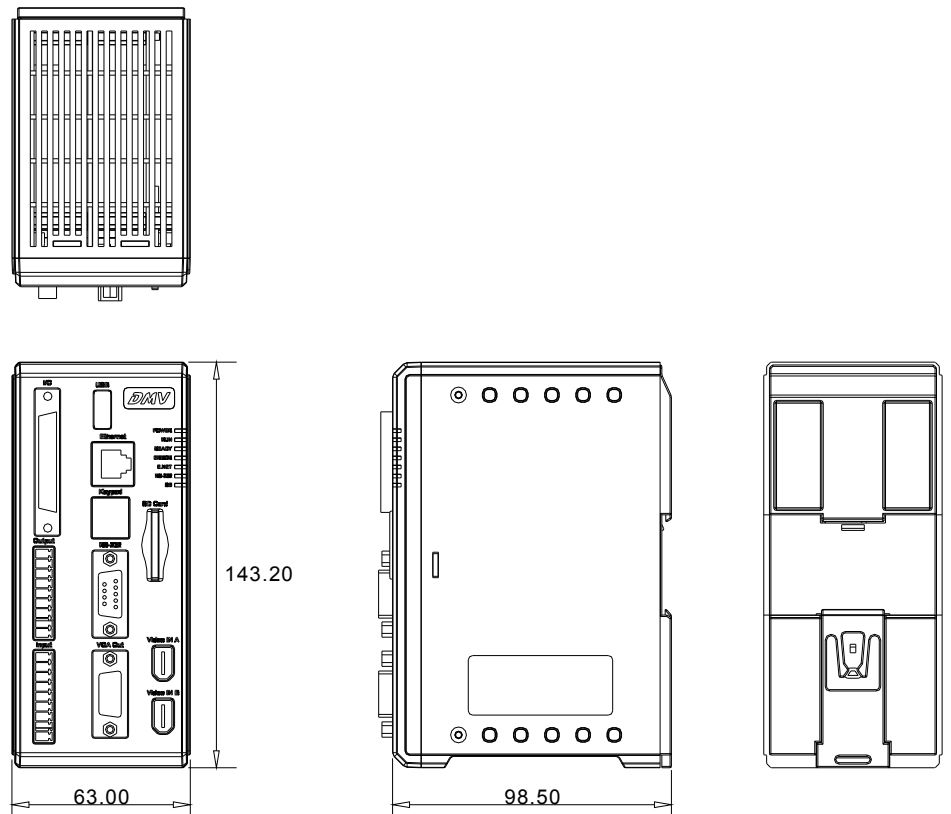
Keypad Dimensions

Dimensions are in mm

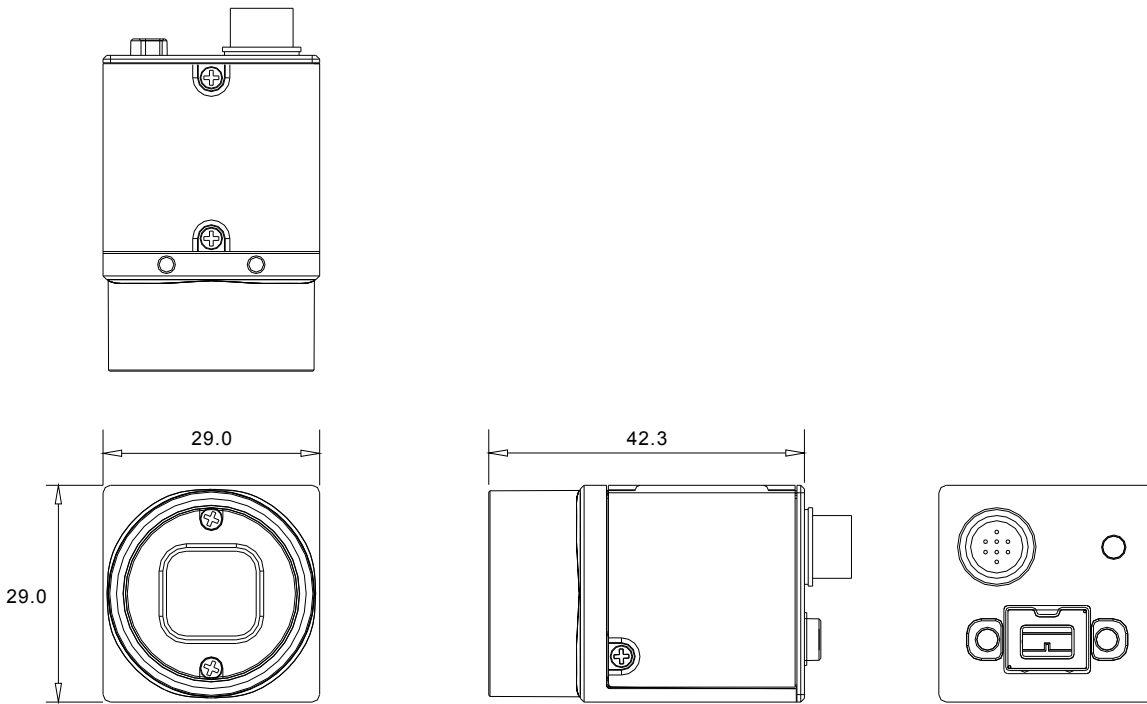


Controller Dimensions

Dimensions are in mm



Camera Dimensions Dimensions are in mm



Ordering Information

DMV1000 System	<p>DMV1000-80GX (Controller, Keypad, a 800,000-pixel camera and 4.5 m cable included)</p> <p>DMV1000-30GX (Controller, Keypad, a 300,000-pixel camera and 4.5 m cable included)</p>	
Image Process Controller	DMV-80GXC	
Keypad	DMV1000-KEY	
CCD	<p>1/3 inch, 800,000 pixel, monochrome camera</p> <ul style="list-style-type: none"> ■ DMV-CDA80GS (a 800,000-pixel camera and CCD cable included) ■ DMV-CDA30GS (a 300,000-pixel camera and CCD cable included) ■ 4.5 m 1394b Cable DMV-CA45 (4.5m standard) ■ 1 m 1394b Trigger Cable DMV-CA10T (1 m) 	
Lens	<ul style="list-style-type: none"> ■ Mega pixels, focal point: 8,12,16,25,35,50 DMV-LN08M (focal point: 8 mm, Mega-pixel) DMV-LN12M (focal point: 12 mm, Mega-pixel) DMV-LN16M (focal point: 16 mm, Mega-pixel) DMV-LN25M (focal point: 25 mm, Mega-pixel) DMV-LN35M (focal point: 35 mm, Mega-pixel) DMV-LN50M (focal point: 50 mm, Mega-pixel) ■ Telecentric lens DMV-LN50T (Telecentric) 	
Illumination	<ul style="list-style-type: none"> ■ Coaxial DMV-CX40W (Coaxial white light) ■ Direct Ring DMV-DR6736R (Red) DMV-DR6736W (White) Diffusion board: DMV-DR6736D (Diffusion) ■ Back light DMV-BL60R (White) ■ Power supply DMV-PS12C1 (Power Supply) DMV-PS12C2 DMV-CA30P 	



Smarter. Greener. Together.

Industrial Automation Headquarters

Delta Electronics, Inc.

Taoyuan Technology Center
No.18, Xinglong Rd., Taoyuan District,
Taoyuan City 33068, Taiwan
TEL: 886-3-362-6301 / FAX: 886-3-371-6301

Asia

Delta Electronics (Shanghai) Co., Ltd.

No.182 Minyu Rd., Pudong Shanghai, P.R.C.
Post code : 201209
TEL: 86-21-6872-3988 / FAX: 86-21-6872-3996
Customer Service: 400-820-9595

Delta Electronics (Japan), Inc.

Tokyo Office
Industrial Automation Sales Department
2-1-14 Shibadaimon, Minato-ku
Tokyo, Japan 105-0012
TEL: 81-3-5733-1155 / FAX: 81-3-5733-1255

Delta Electronics (Korea), Inc.

Seoul Office
1511, 219, Gasan Digital 1-Ro., Geumcheon-gu,
Seoul, 08501 South Korea
TEL: 82-2-515-5305 / FAX: 82-2-515-5302

Delta Energy Systems (Singapore) Pte Ltd.

4 Kaki Bukit Avenue 1, #05-04, Singapore 417939
TEL: 65-6747-5155 / FAX: 65-6744-9228

Delta Electronics (India) Pvt. Ltd.

Plot No.43, Sector 35, HSIIDC Gurgaon,
PIN 122001, Haryana, India
TEL: 91-124-4874900 / FAX : 91-124-4874945

Delta Electronics (Thailand) PCL.

909 Soi 9, Moo 4, Bangpoo Industrial Estate (E.P.Z),
Pattana 1 Rd., T.Phraksa, A.Muang,
Samutprakarn 10280, Thailand
TEL: 66-2709-2800 / FAX : 662-709-2827

Delta Energy Systems (Australia) Pty Ltd.

Unit 20-21/45 Normanby Rd., Notting Hill Vic 3168, Australia
TEL: 61-3-9543-3720

Americas

Delta Electronics (Americas) Ltd.

Raleigh Office
P.O. Box 12173, 5101 Davis Drive,
Research Triangle Park, NC 27709, U.S.A.
TEL: 1-919-767-3813 / FAX: 1-919-767-3969

Delta Greentech (Brasil) S/A

São Paulo Office
Rua Itapeva, 26 – 3° Andar - Bela Vista
CEP: 01332-000 – São Paulo – SP - Brasil
TEL: 55-11-3530-8642 / 55-11-3530-8640

Delta Electronics International Mexico S.A. de C.V.

Mexico Office
Vía Dr. Gustavo Baz No. 2160, Colonia La Loma,
54060 Tlalnepantla Estado de Mexico
TEL: 52-55-2628-3015 #3050/3052

EMEA

Delta Electronics (Netherlands) BV

Eindhoven Office
De Witbogt 20, 5652 AG Eindhoven, The Netherlands
MAIL: Sales.IA.EMEA@deltaww.com
MAIL: Sales.IA.Benelux@deltaww.com

Delta Electronics (France) S.A.

ZI du bois Chaland 2 15 rue des Pyrénées,
Lisses 91056 Evry Cedex, France
MAIL: Sales.IA.FR@deltaww.com

Delta Electronics Solutions (Spain) S.L.U

Ctra. De Villaverde a Vallecas, 265 1° Dcha Ed.
Hormigueras – P.I. de Vallecas 28031 Madrid
C/Llull, 321-329 (Edificio CINC) | 22@Barcelona, 08019 Barcelona
MAIL: Sales.IA.Iberia@deltaww.com

Delta Electronics (Italy) Srl

Ufficio di Milano Via Senigallia 18/2 20161 Milano (MI)
Piazza Grazioli 18 00186 Roma, Italy
MAIL: Sales.IA.Italy@deltaww.com

Delta Electronics (Germany) GmbH

Coesterweg 45, D-59494 Soest, Germany
MAIL: Sales.IA.DACH@deltaww.com

Delta Energy Systems LLC (CIS)

Vereyskaya Plaza II, office 112 Vereyskaya str.
17 121357 Moscow, Russia
MAIL: Sales.IA.RU@deltaww.com

Delta Greentech Ltd. (Turkiye)

Serifali Mevkii Barbaros Bulvari Soylesi Sok
No 19 34775, Y.Dudullu-Umraniye/Istanbul
MAIL: Sales.IA.Turkey@delta-emea.com

Delta Energy Systems AG (Dubai BR)

P.O. Box 185668, Gate 7, 3rd Floor, Hamarain Centre,
Dubai, United Arab Emirates
MAIL: Sales.IA.MEA@deltaww.com

*We reserve the right to change the information in this catalogue without prior notice.