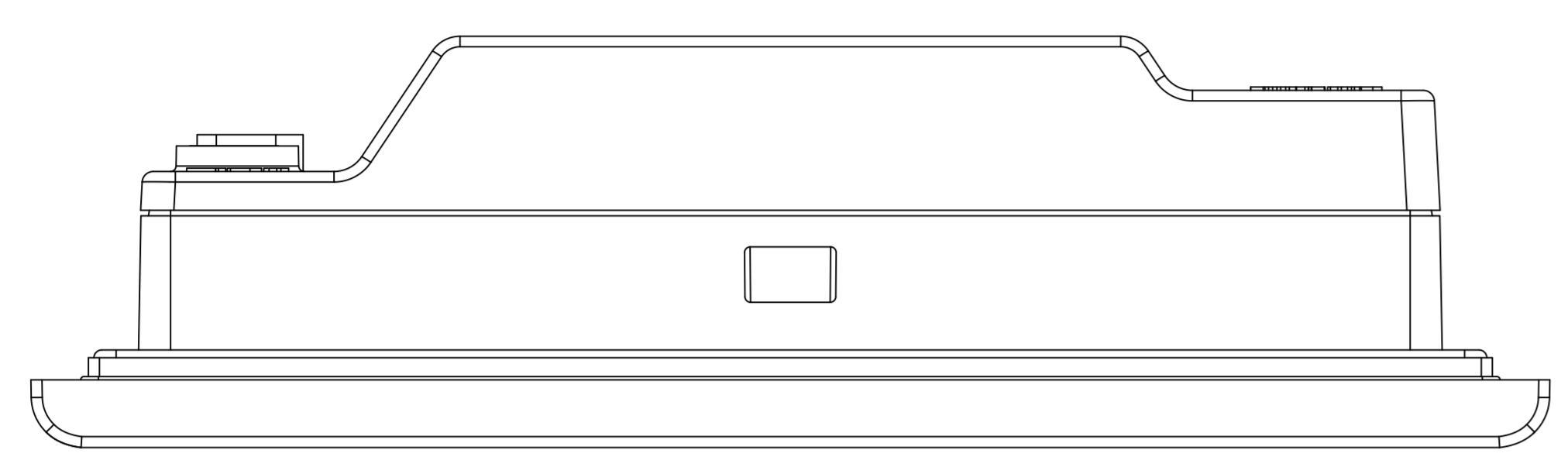


1 2 3 4 5 6 7 8

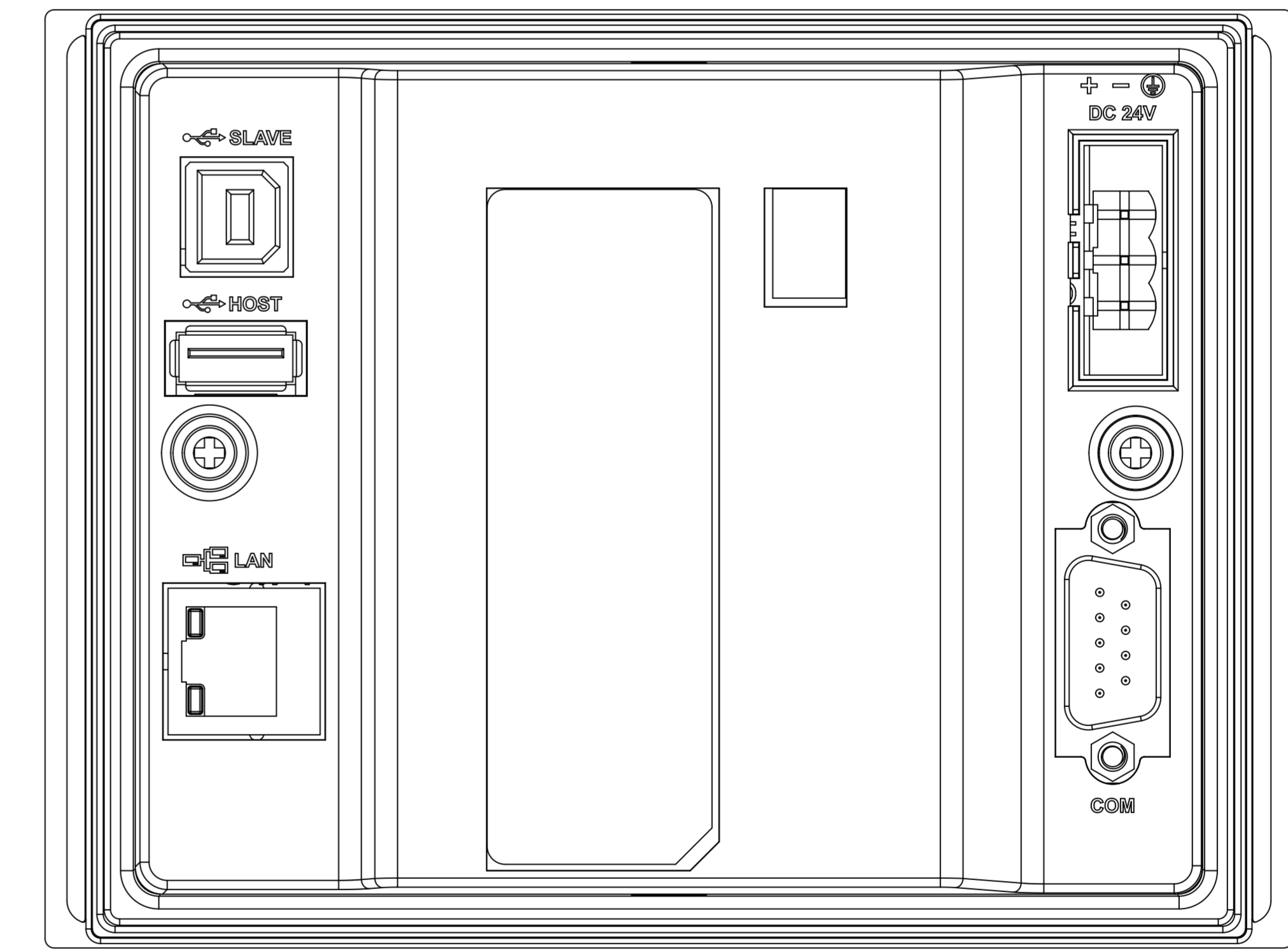
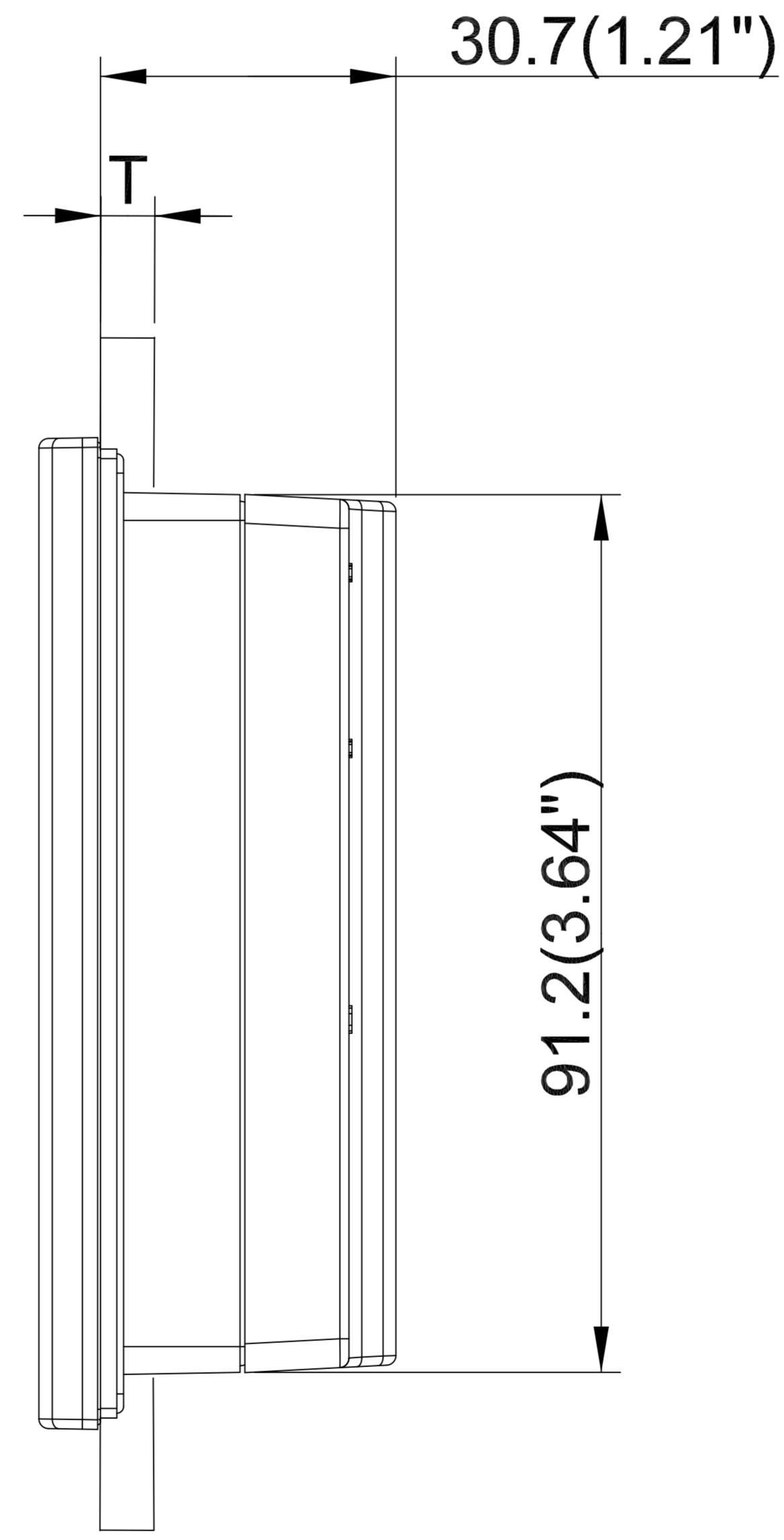
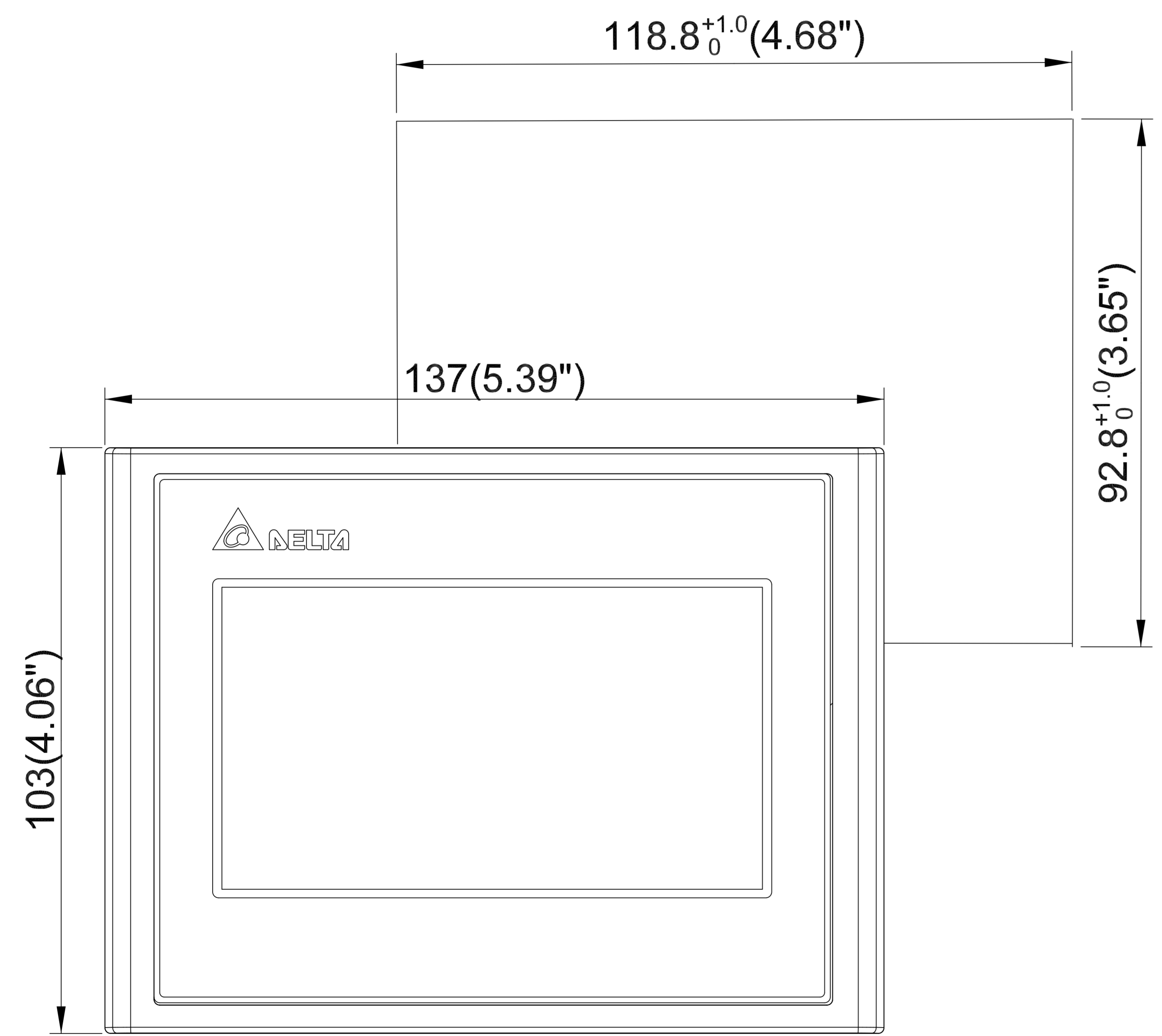
A
B
C
D
E
F
G
H

A
B
C
D
E
F
G
H

REV.	ECN NO.
00	-----



NOTE:
T=1.6mm(0.063")~6mm(0.24")



台達電子工業股份有限公司 DELTA ELECTRONICS, INC.		DRAWN:	DESIGN:
THESE DRAWINGS AND SPECIFICATIONS ARE THE PROPERTY OF DELTA ELECTRONICS, INC. AND SHALL NOT BE REPRODUCED OR USED AS THE BASIS FOR THE MANUFACTURE OR SELL OF APPARATUS OR DEVICES WITHOUT PERMISSION.		APPROVE:	DATE: 07/15/2016
DIMENSIONAL TOLERANCES (V) () () () ANGLES DECIMALS <50 ±0.1 <50 ±0.15 <50 ±0.2 <30° ±0.1° X ±0.3 >50-100 ±0.15 >50-100 ±0.2 >50-100 ±0.25 >30°-60° ±0.3° XX ±0.2 >100-200 ±0.2 >100-200 ±0.25 >100-200 ±0.3 >60°-90° ±0.5° XXX ±0.1 >200~ ±0.2% >200~ ±0.25% >200~ ±0.3%		PART NO.:	
DESCRIPTION: PD CONFIDENTIAL		A2 SIZE THIRD ANGLE PROJECTION	REV.
USED ON	DOP-103WQ	UNIT	SCALE 1.000 SHEET 1 OF 1