

Automation for a Changing World

# Delta Multifunction Pressure Sensor DPA Series



[www.deltaww.com](http://www.deltaww.com)

 **DELTA**  
Smarter. Greener. Together.

## Multifunction Pressure Sensor DPA Series

- ▶ Energy-saving mode
- ▶ Various unit conversion
- ▶ Analog output function
- ▶ Various output modes
- ▶ 10 sets of output response time setup
- ▶ 3 sets of color display
- ▶ Fast zero reset
- ▶ Safety control function
- ▶ Easy code display
- ▶ Parameter copy function



### Various Unit Conversion

The DPA Series offers 6 kinds of globally adopted pressure units for measurement and display.



### Fast Parameter Copy

The DPA Series fast copies the internal parameters to other slaves and saves repeated parameter setup time.



### 3-Color LCD Display (Green, Red, Orange)

The large LCD with a green, red and orange 3-color LCD display allows users to set the display color according to the ambient environment, such as when the pressure is within normal range or exceeds the allowed range. The display's color is orange when in parameter setup mode. This makes it easy for reading and reduces operation errors.

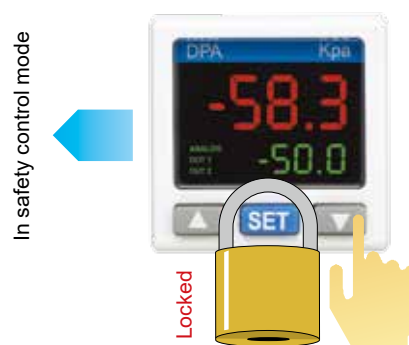


Color for upper / lower limit display (green / red)

Parameter set up (orange)

### Safety Control Mode

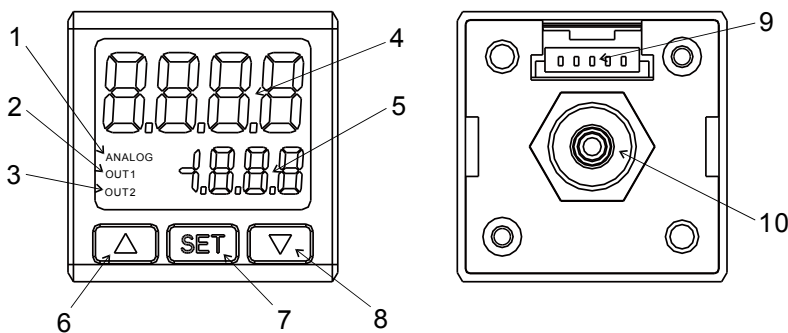
The safety control mode prevents operators from carelessly touching relevant parameters and affecting the operation and production of the equipment.



# Specifications

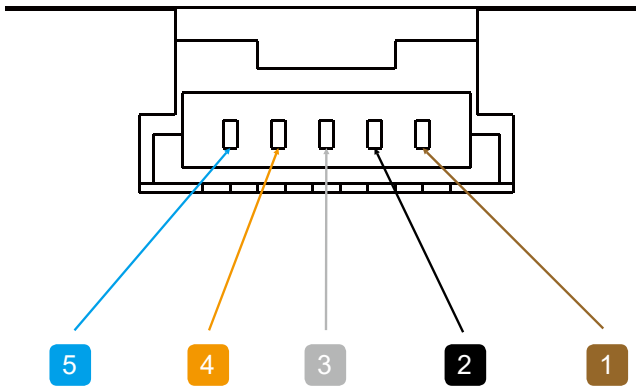
Power Supply	Voltage range	12 ~ 24 V <sub>DC</sub> ± 10% no isolation
	Power consumption	40 mA Max.; current output type 60 mA Max.
Pressure Measurement	Pressure type	Non-corrosive gas, gauge type
	Measurable range	DPA01: -100 kPa ~ 100 kPa DPA10: -100 kPa ~ 1,000 kPa
	Max. durable pressure	DPA01: 200 kPa DPA10: 1,500 kPa
	Measurement accuracy	± 3% entire process
	Temperature inaccuracy	± 2% entire process
Display	Setup display	2-line LCD display, 4 digits for measured value and 3.5 digits for setup display
	Status display	LCD output status display
	Display mode	3 colors for different modes
	Cycle	250 ms, 500 ms, 1,000 ms
Output	Number of outputs	Built-in 2 NPN or PNP transistor digital outputs and 1 analog output
	Transistor output	NPN: Max. durable pressure 30V / 100 mA, residual voltage 1.5V PNP: Max. durable pressure 30V / 100 mA, residual voltage 1.5V
	Analog output	1 ~ 5V: Min. output load resistance 1,000 Ω 4 ~ 20 mA: Max. output load resistance 400 Ω; linear inaccuracy < 2% entire process
	Response time	2 ms, 4 ms, 10 ms, 30 ms, 50 ms, 100 ms, 250 ms, 500 ms, 1,000 ms, 5,000 ms
	Output inaccuracy	Linear inaccuracy: < ± 2% entire process
Pore Size	P	Outer diameter PT1/8, inner diameter M5
	N	Outer diameter NPT1/8, inner diameter M5
	R	Outer diameter Rc1/8, inner diameter M5
Shock Resistance		10 ~ 550 Hz, 100 mm, 3 axes for 2 hours
Vibration Resistance		Max. 100 m/s <sup>2</sup> , 3 axes 6 directions, 3 times each
Operating Ambient Temperature		0°C ~ +50°C
Storage Temperature		-20°C ~ +65°C
Altitude		< 2,000 m
Operating Relative Humidity		35% ~ 80% RH (non-condensing)

# Product Profile & Outline



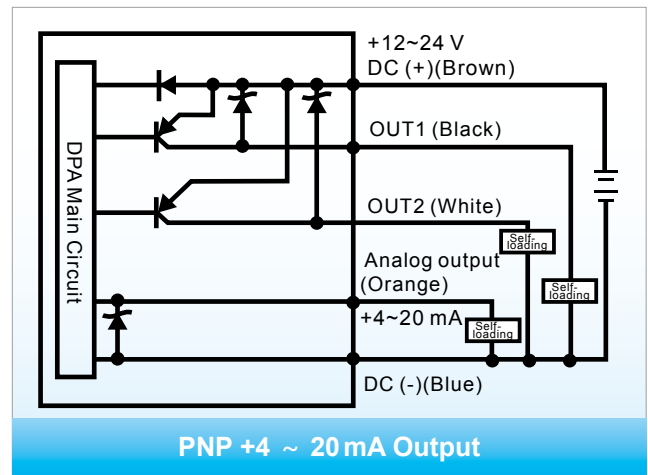
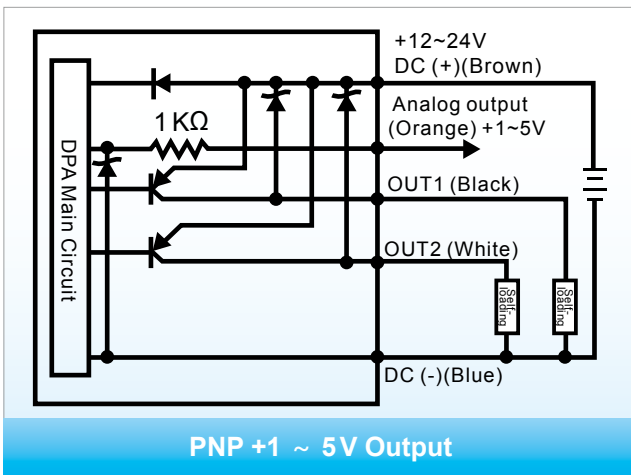
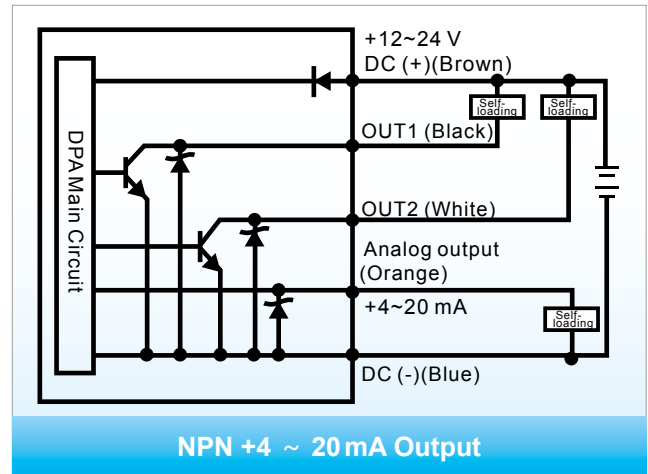
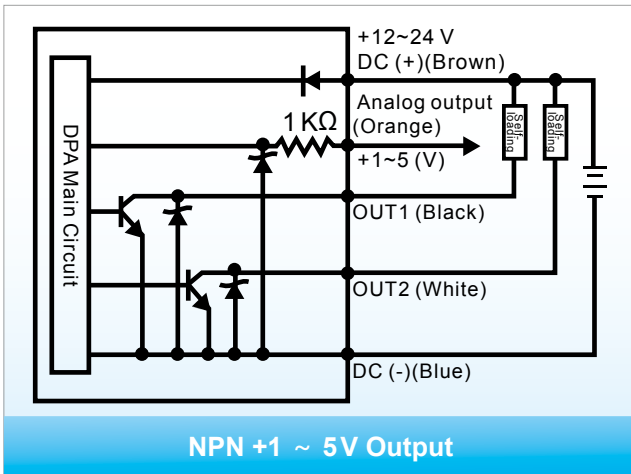
- 1 Analog output indicator
- 2 Digital output 1 indicator
- 3 Digital output 2 indicator
- 4 Pressure / parameter display
- 5 SV / setup item display
- 6 UP key
- 7 SET key
- 8 DOWN key
- 9 Power supply and output terminals
- 10 Pressure input pore

# Terminals



- 1 Positive power supply input (Brown)
- 2 Digital output 1 signal (Black)
- 3 Digital output 2 signal (White)
- 4 Analog output signal (Orange)
- 5 Negative power supply input (Blue)

# Various Output Control Modes



# Ordering Information

**DPA** **0** **1** **N** - **P**

### Range for Pressure Measurement

- 01** -100 kPa ~ 100 kPa
- 10** -100 kPa~1,000 kPa

### Pressure Pore Type

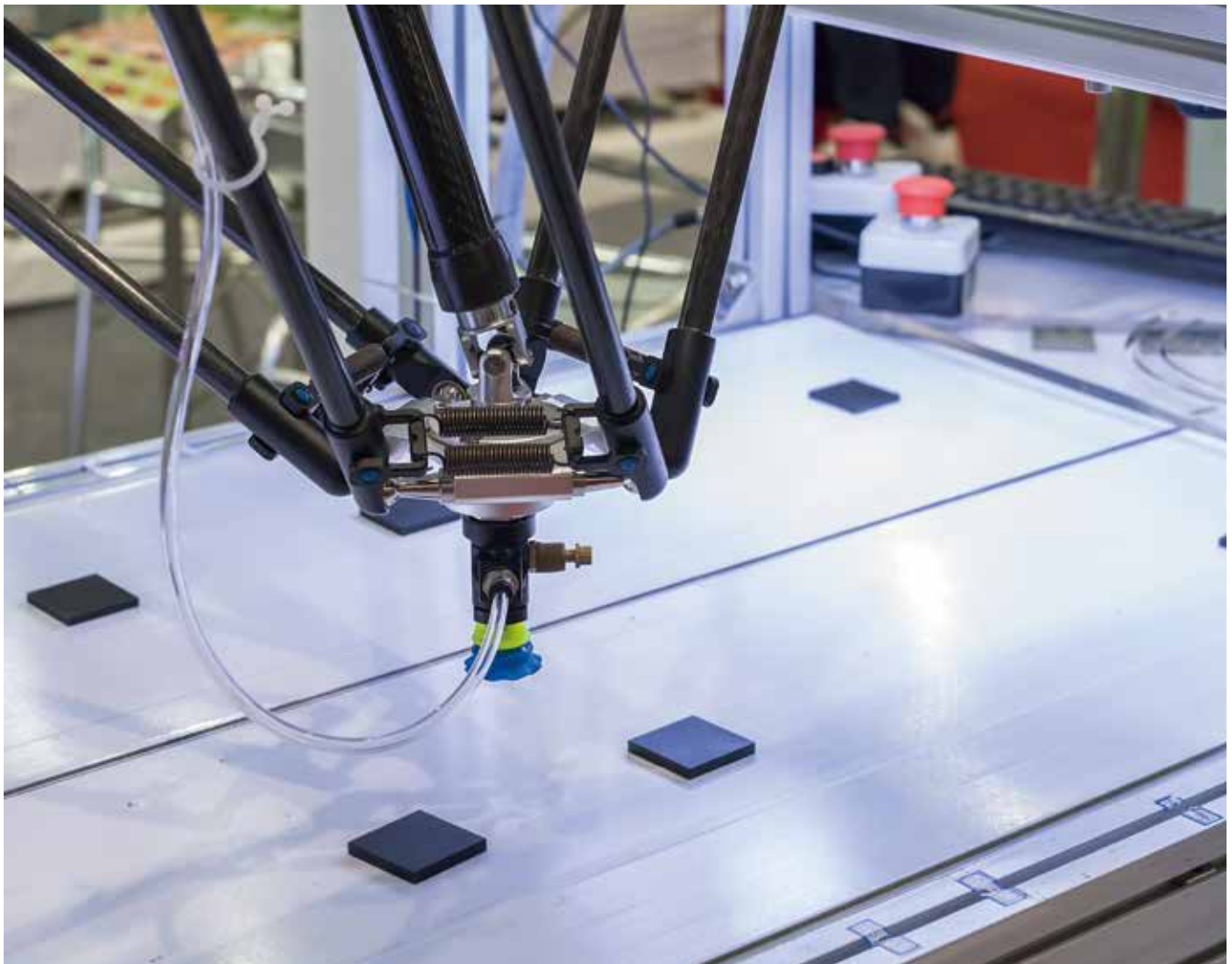
- P** Outer pore 1/8 PT, inner pore M5
- N** Outer pore 1/8 NPT, inner pore M5
- G** Outer pore 1/8 G, inner pore M5

### Output Type

- N** NPN output + 4 ~ 20 mA
- M** NPN output + 1~ 5V
- P** PNP output + 4 ~ 20 mA
- Q** PNP output + 1 ~ 5V

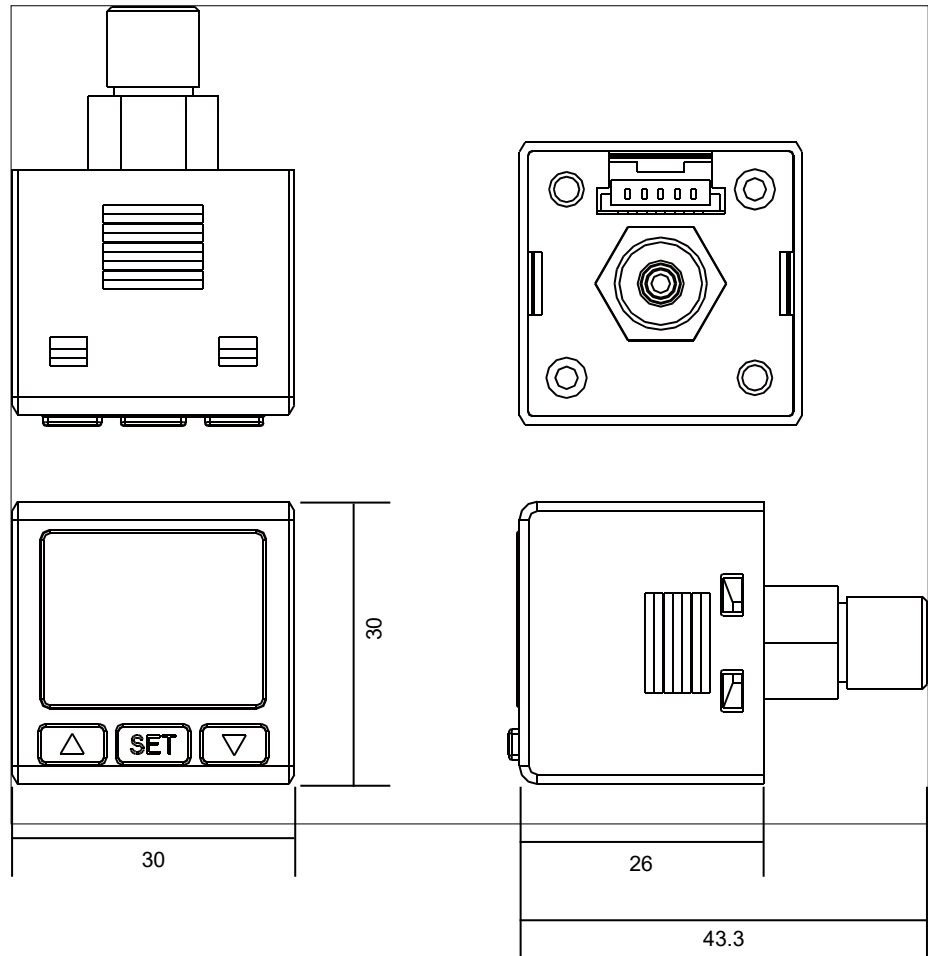
### Product Name

DPA Series pressure sensor



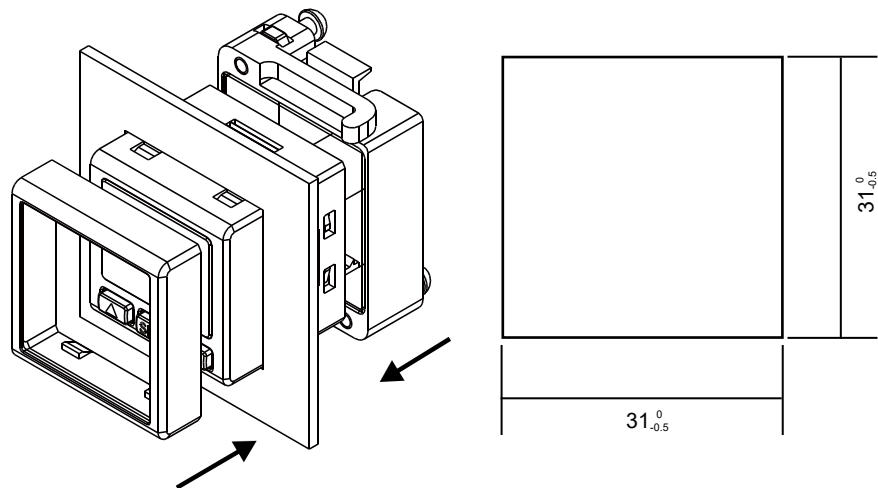


## Dimensions Unit : mm



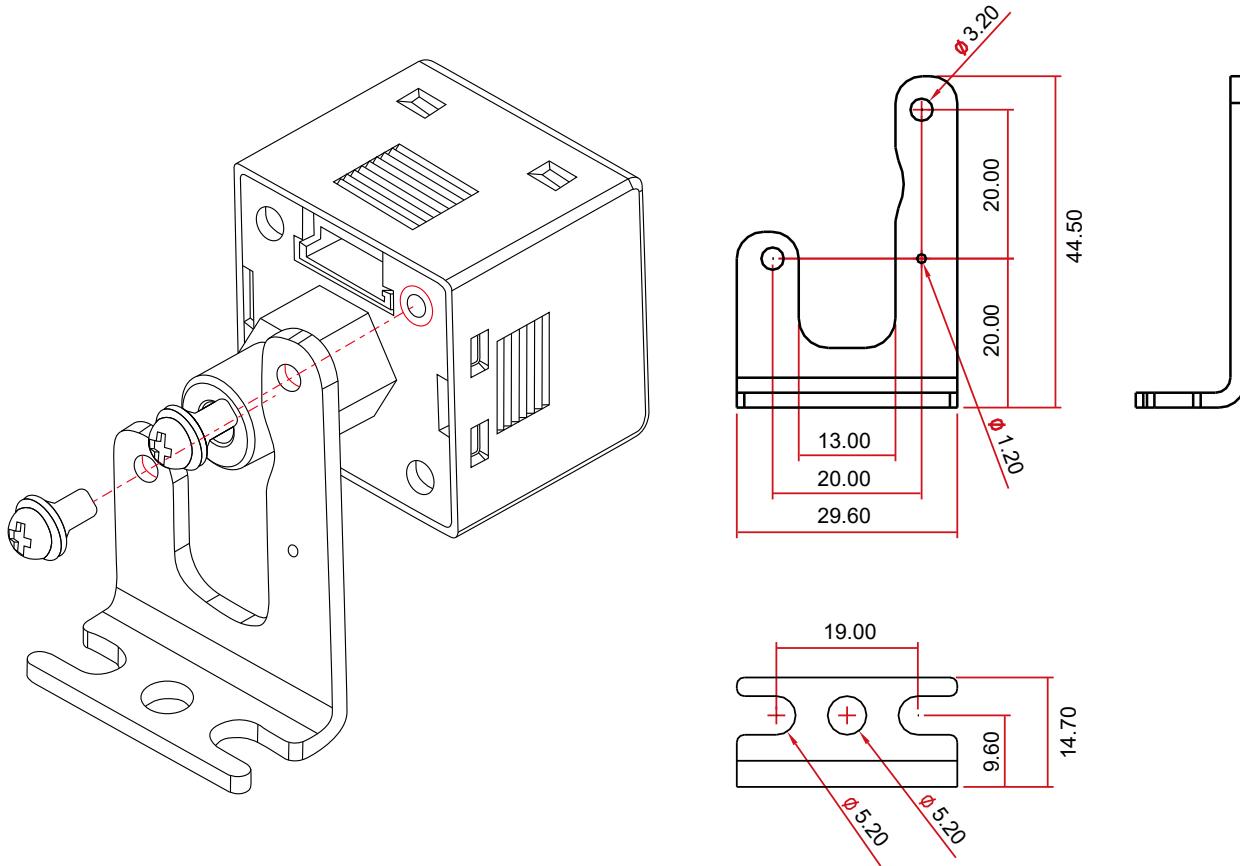
## Panel Accessory Unit : mm

**Model: DPA-PFKit**



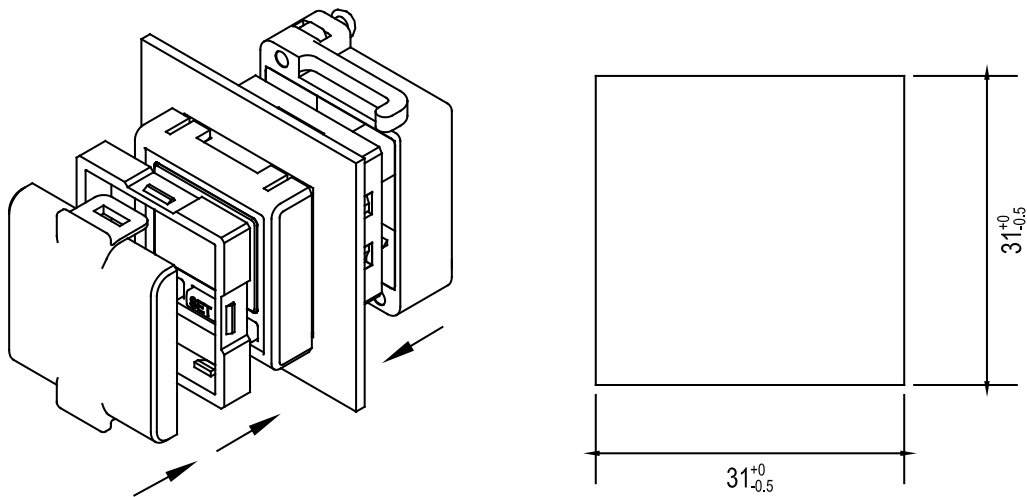
# Shelf Accessory Unit : mm

Model: DPA-FMKit



# Transparent Protective Cover Unit : mm

Model: DPA-FPCKIT





Smarter. Greener. Together.

## Industrial Automation Headquarters

### Delta Electronics, Inc.

Taoyuan Technology Center  
No.18, Xinglong Rd., Taoyuan District,  
Taoyuan City 33068, Taiwan  
TEL: 886-3-362-6301 / FAX: 886-3-371-6301

## Asia

### Delta Electronics (Shanghai) Co., Ltd.

No.182 Minyu Rd., Pudong Shanghai, P.R.C.  
Post code : 201209  
TEL: 86-21-6872-3988 / FAX: 86-21-6872-3996  
Customer Service: 400-820-9595

### Delta Electronics (Japan), Inc.

Tokyo Office  
Industrial Automation Sales Department  
2-1-14 Shibadaimon, Minato-ku  
Tokyo, Japan 105-0012  
TEL: 81-3-5733-1155 / FAX: 81-3-5733-1255

### Delta Electronics (Korea), Inc.

Seoul Office  
1511, 219, Gasan Digital 1-Ro., Geumcheon-gu,  
Seoul, 08501 South Korea  
TEL: 82-2-515-5305 / FAX: 82-2-515-5302

### Delta Energy Systems (Singapore) Pte Ltd.

4 Kaki Bukit Avenue 1, #05-04, Singapore 417939  
TEL: 65-6747-5155 / FAX: 65-6744-9228

### Delta Electronics (India) Pvt. Ltd.

Plot No.43, Sector 35, HSIIDC Gurgaon,  
PIN 122001, Haryana, India  
TEL: 91-124-4874900 / FAX : 91-124-4874945

### Delta Electronics (Thailand) PCL.

909 Soi 9, Moo 4, Bangpoo Industrial Estate (E.P.Z),  
Pattana 1 Rd., T.Phraksa, A.Muang,  
Samutprakarn 10280, Thailand  
TEL: 66-2709-2800 / FAX : 662-709-2827

### Delta Energy Systems (Australia) Pty Ltd.

Unit 20-21/45 Normanby Rd., Notting Hill Vic 3168, Australia  
TEL: 61-3-9543-3720

## Americas

### Delta Electronics (Americas) Ltd.

Raleigh Office  
P.O. Box 12173, 5101 Davis Drive,  
Research Triangle Park, NC 27709, U.S.A.  
TEL: 1-919-767-3813 / FAX: 1-919-767-3969

### Delta Greentech (Brasil) S/A

São Paulo Office  
Rua Itapeva, 26 – 3° Andar - Bela Vista  
CEP: 01332-000 – São Paulo – SP - Brasil  
TEL: 55-11-3530-8642 / 55-11-3530-8640

### Delta Electronics International Mexico S.A. de C.V.

Mexico Office  
Vía Dr. Gustavo Baz No. 2160, Colonia La Loma,  
54060 Tlalnepanitla Estado de Mexico  
TEL: 52-55-2628-3015 #3050/3052

## EMEA

### Headquarters: Delta Electronics (Netherlands) B.V.

Sales: Sales.IA.EMEA@deltaww.com  
Marketing: Marketing.IA.EMEA@deltaww.com  
Technical Support: iatechnicalsupport@deltaww.com  
Customer Support: Customer-Support@deltaww.com  
Service: Service.IA.emea@deltaww.com  
TEL: +31(0)40 800 3800

### BENELUX: Delta Electronics (Netherlands) B.V.

De Witbogt 20, 5652 AG Eindhoven, The Netherlands  
Mail: Sales.IA.Benelux@deltaww.com  
TEL: +31(0)40 800 3800

### DACH: Delta Electronics (Netherlands) B.V.

Coesterweg 45, D-59494 Soest, Germany  
Mail: Sales.IA.DACH@deltaww.com  
TEL: +49(0)2921 987 0

### France: Delta Electronics (France) S.A.

ZI du bois Challand 2, 15 rue des Pyrénées,  
Lisses, 91090 Evry Cedex, France  
Mail: Sales.IA.FR@deltaww.com  
TEL: +33(0)1 69 77 82 60

### Iberia: Delta Electronics Solutions (Spain) S.L.U

Ctra. De Villaverde a Vallecas, 265 1º Dcha Ed.  
Hormigueras – P.I. de Vallecas 28031 Madrid  
TEL: +34(0)91 223 74 20

Carrer Llacuna 166, 08018 Barcelona, Spain

Mail: Sales.IA.Iberia@deltaww.com

### Italy: Delta Electronics (Italy) S.r.l.

Ufficio di Milano Via Senigallia 18/2 20161 Milano (MI)  
Piazza Grazioli 18 00186 Roma Italy  
Mail: Sales.IA.Italy@deltaww.com  
TEL: +39 02 64672538

### Russia: Delta Energy System LLC

Vereyskaya Plaza II, office 112 Vereyskaya str.  
17 121357 Moscow Russia  
Mail: Sales.IA.RU@deltaww.com  
TEL: +7 495 644 3240

### Turkey: Delta Greentech Elektronik San. Ltd. Sti. (Turkey)

Şerifaii Mah. Hendem Cad. Kule Sok. No:16-A  
34775 Ümraniye – İstanbul  
Mail: Sales.IA.Turkey@deltaww.com  
TEL: + 90 216 499 9910

### GCC: Delta Energy Systems AG (Dubai BR)

P.O. Box 185668, Gate 7, 3rd Floor, Hamarain Centre  
Dubai, United Arab Emirates  
Mail: Sales.IA.MEA@deltaww.com  
TEL: +971(0)4 2690148

### Egypt + North Africa: Delta Electronics

511 Cairo Business Plaza, North 90 street,  
New Cairo, Cairo, Egypt  
Mail: Sales.IA.MEA@deltaww.com