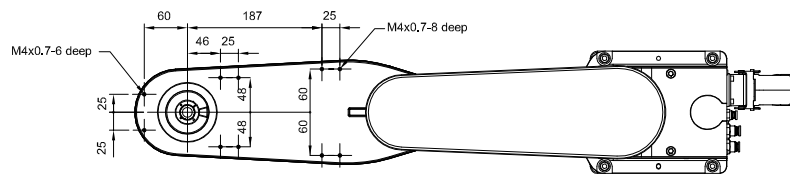
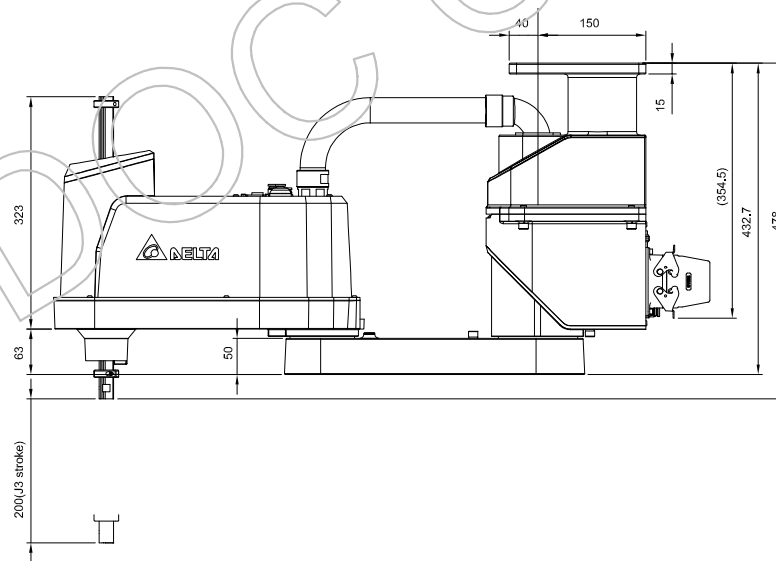
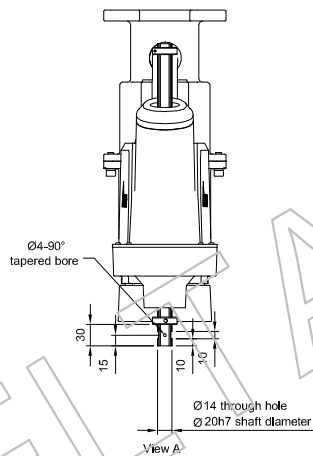
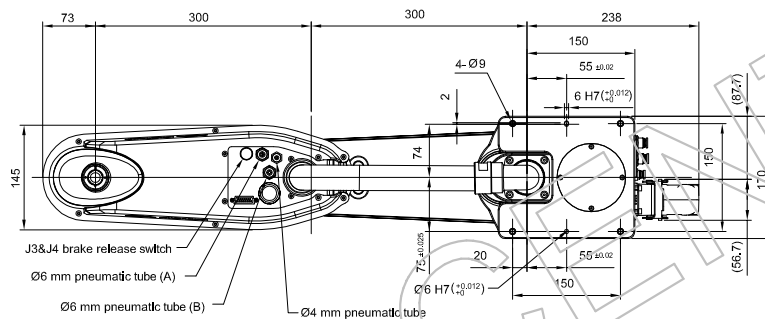


J1 axis mechanical stopper position: ±133°
 J2 axis mechanical stopper position: ±153°



DIMENSIONAL TOLERANCES				
()	()	()	(V)	ANGLES
DECIMALS	<50 ±0.1	<50 ±0.15	<50 ±0.2	<30° ±0.1°
X	±0.3	>50~100 ±0.15	>50~100 ±0.2	>30°~60° ±0.3°
X.X	±0.2	>100~200 ±0.2	>100~200 ±0.25	>60°~90° ±0.5°
X.XX	±0.1	>200~ ±0.2%	>200~ ±0.25%	>200~ ±0.3%

UNIT	mm	SCALE		SHEET 1 OF 1
------	----	-------	--	--------------

DRAWN:	
DESIGN:	
APPROVE:	
DATA:	2017/11/29

A4 SIZE
THIRD ANGLE PROJECTION
USED ON

DESCRIPTION:	CONFIDENTIAL
外型尺寸(Dimensions)	
PART NO.:	DRS60H6SS1
ECN NO.	
REV.	