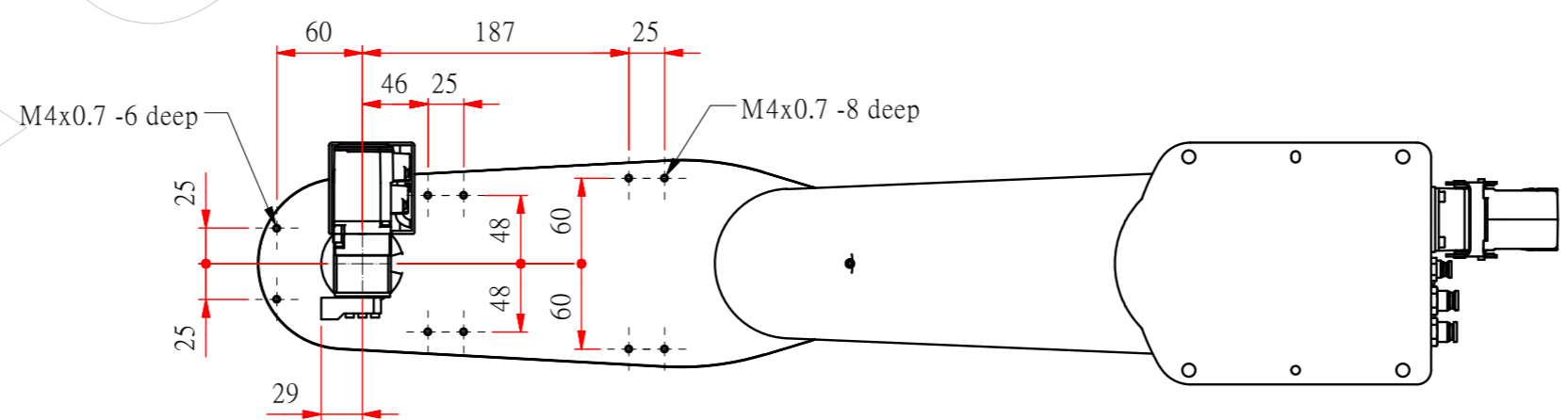
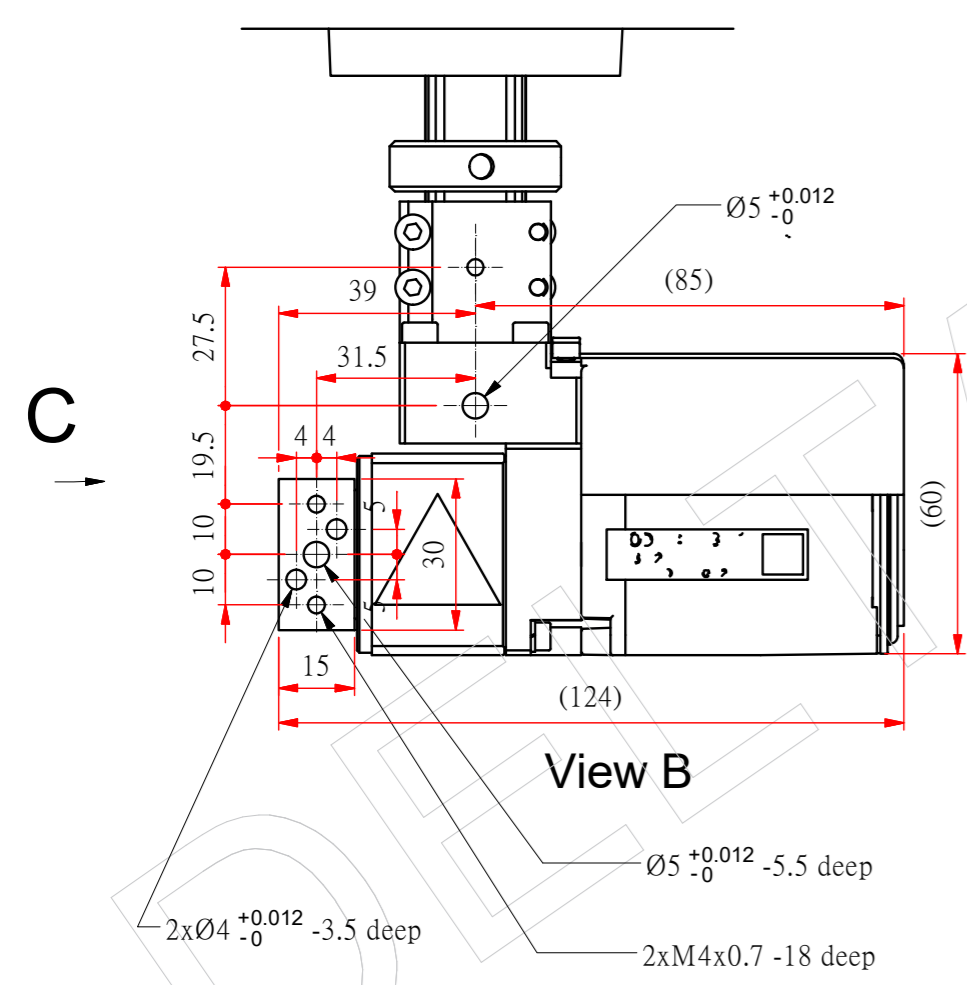
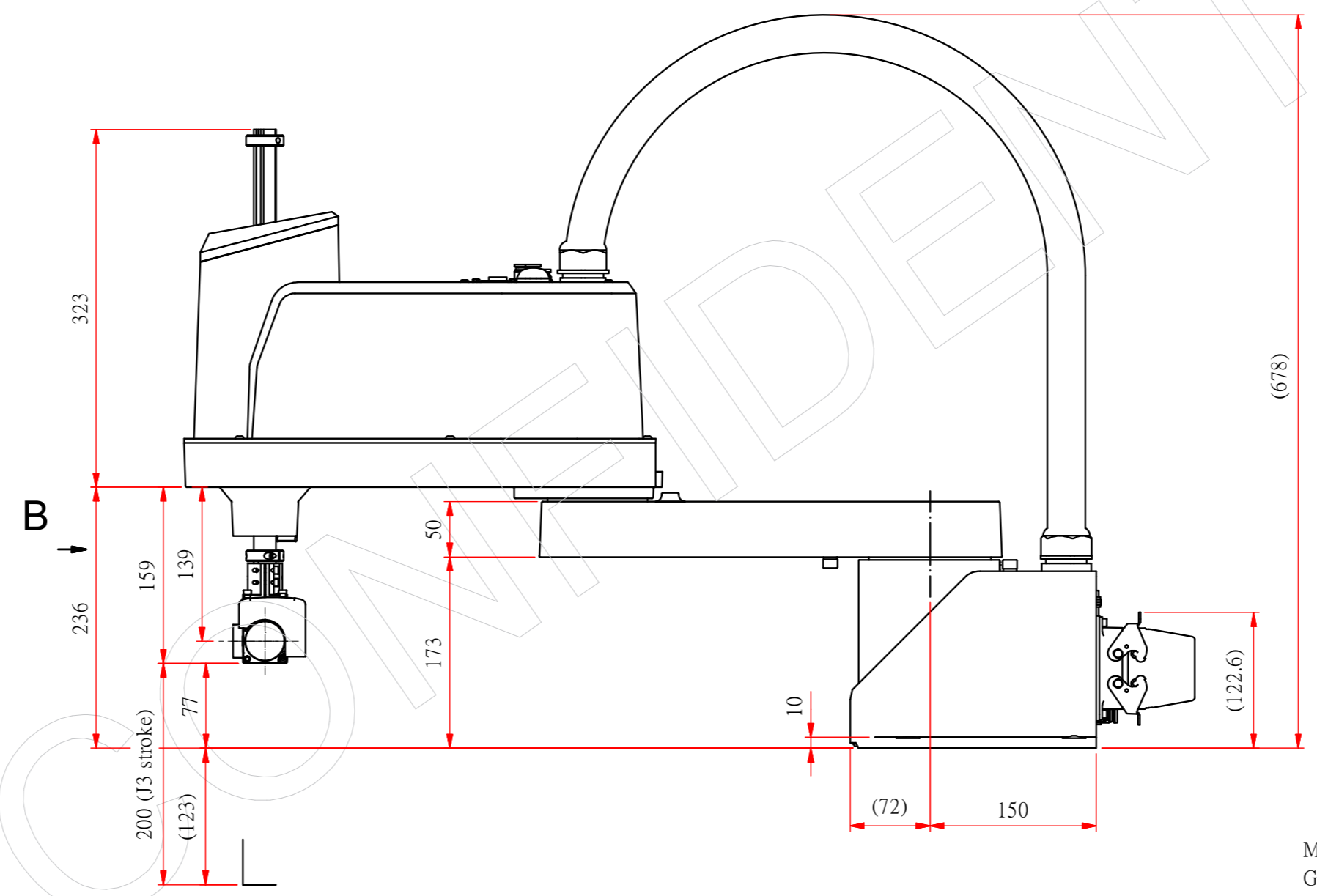
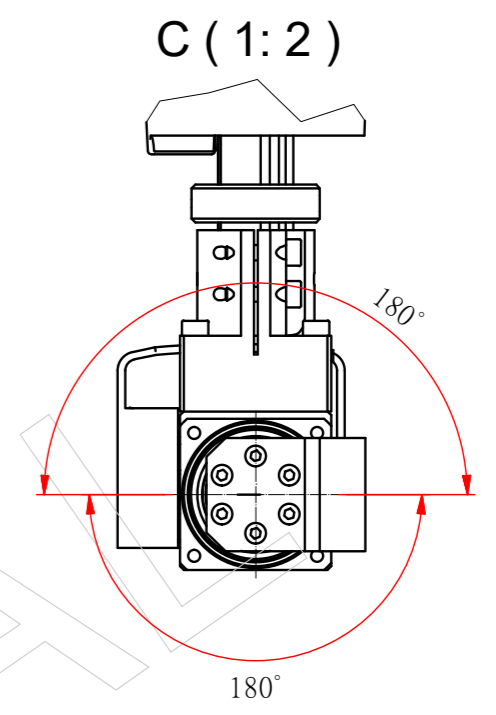
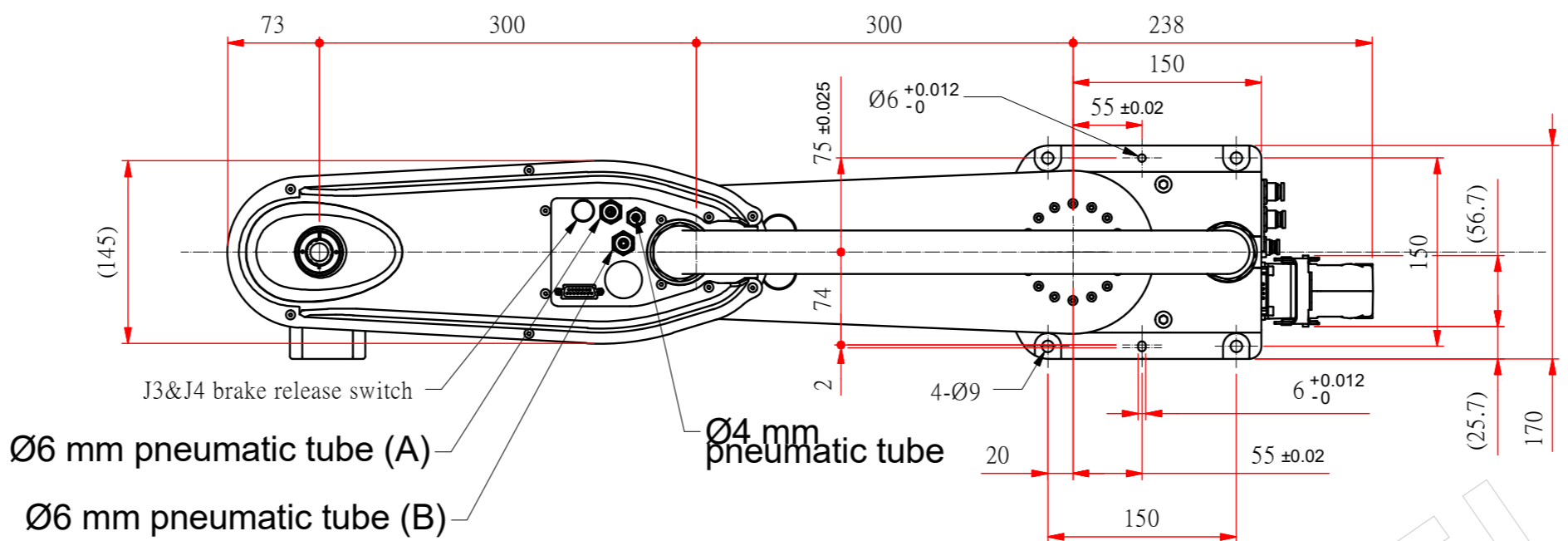


J1 axis mechanical stopper position : ±135°
 J2 axis mechanical stopper position : ±155°



| | | | |
|--|----------|---|---|
| | | DRAWN: _____ APPROVE: _____ | DESIGN: _____ DATE: 2017/11/29 |
| THESE DRAWINGS AND SPECIFICATIONS ARE THE PROPERTY OF DELTA ELECTRONICS, INC. AND SHALL NOT BE REPRODUCED OR USED AS THE BASIS FOR THE MANUFACTURE OR SELL OF APPARATUS OR DEVICES WITHOUT PERMISSION. | | | |
| DESCRIPTION: 尺寸圖&運動範圍(Dimensions&Range of motion) | | CONFIDENTIAL A2 SIZE THIRD ANGLE PROJECTION | PART NO.: DRS60L6SS1BN502 REV. _____ |
| USED ON | UNIT: mm | SCALE | SHEET 1 OF 1 |