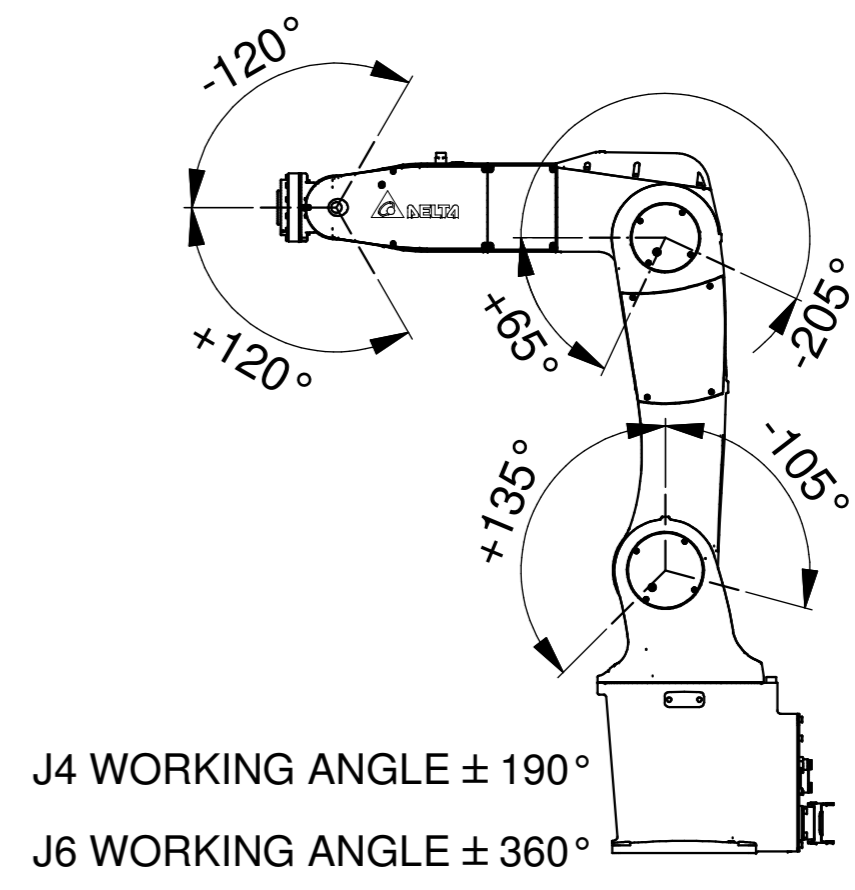
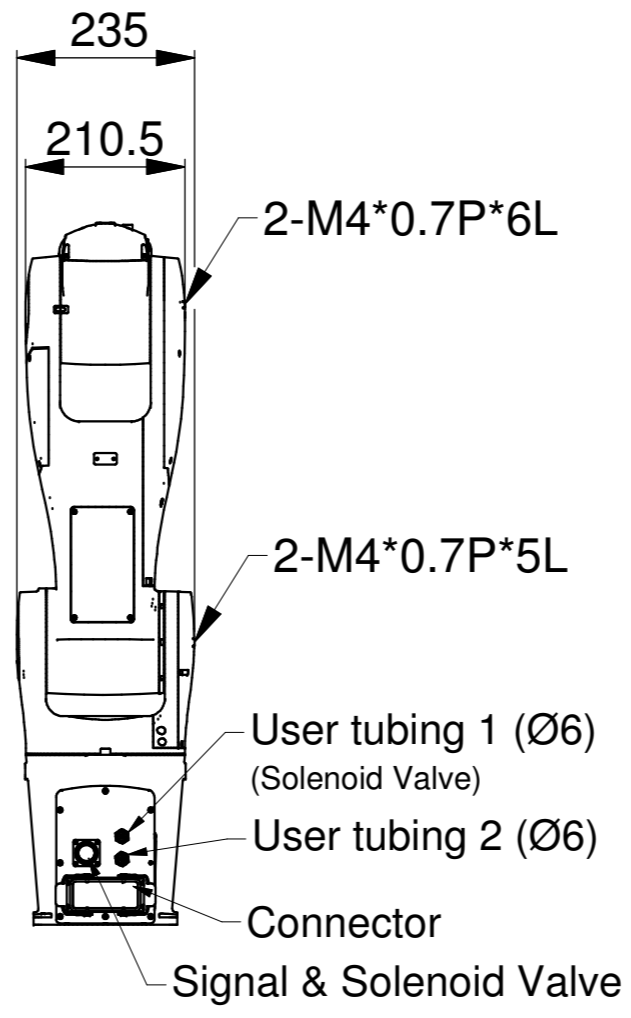
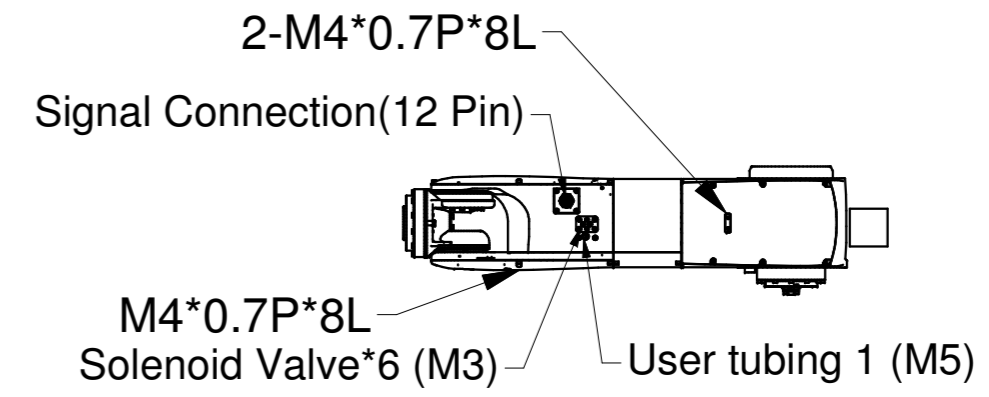
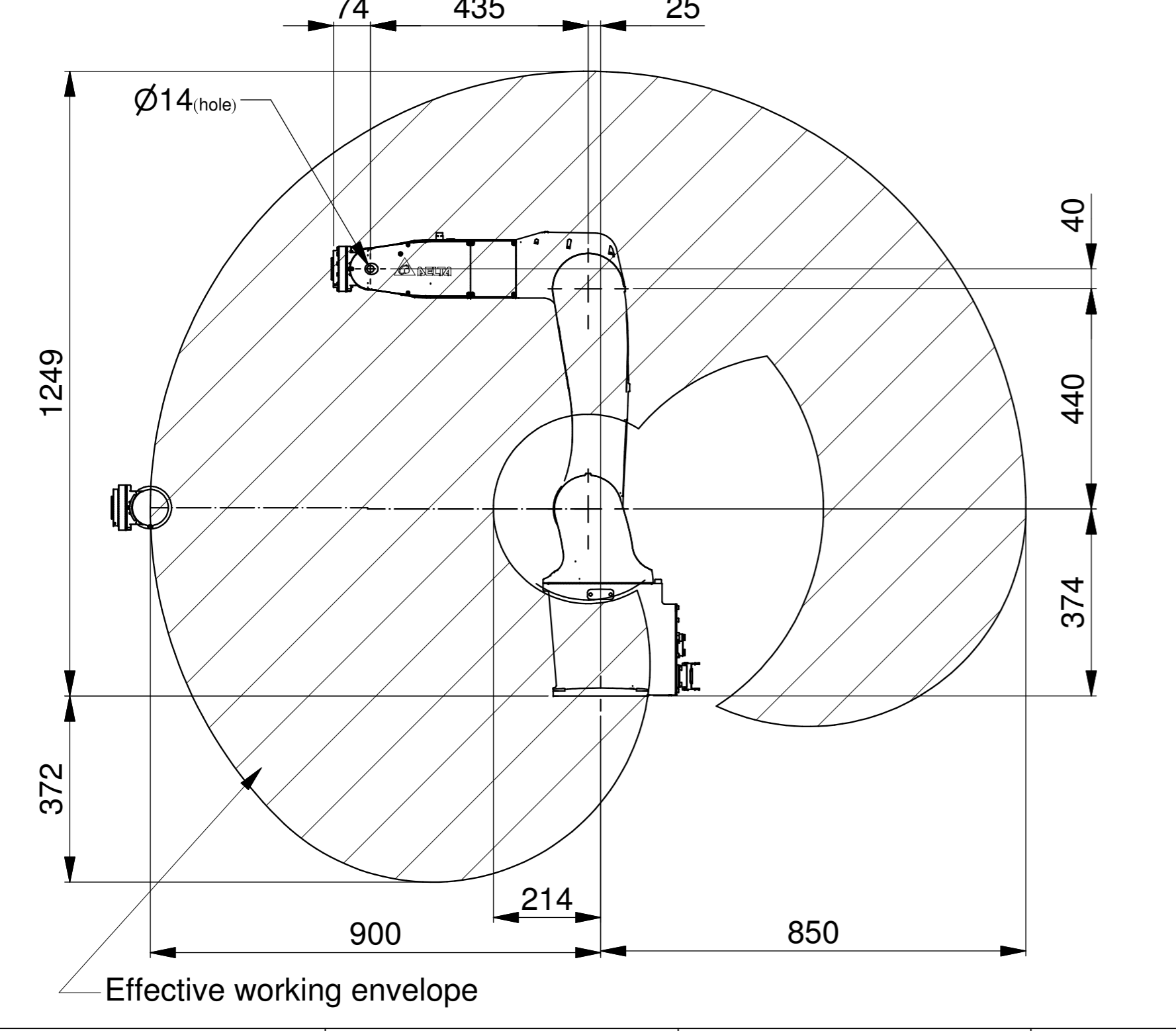
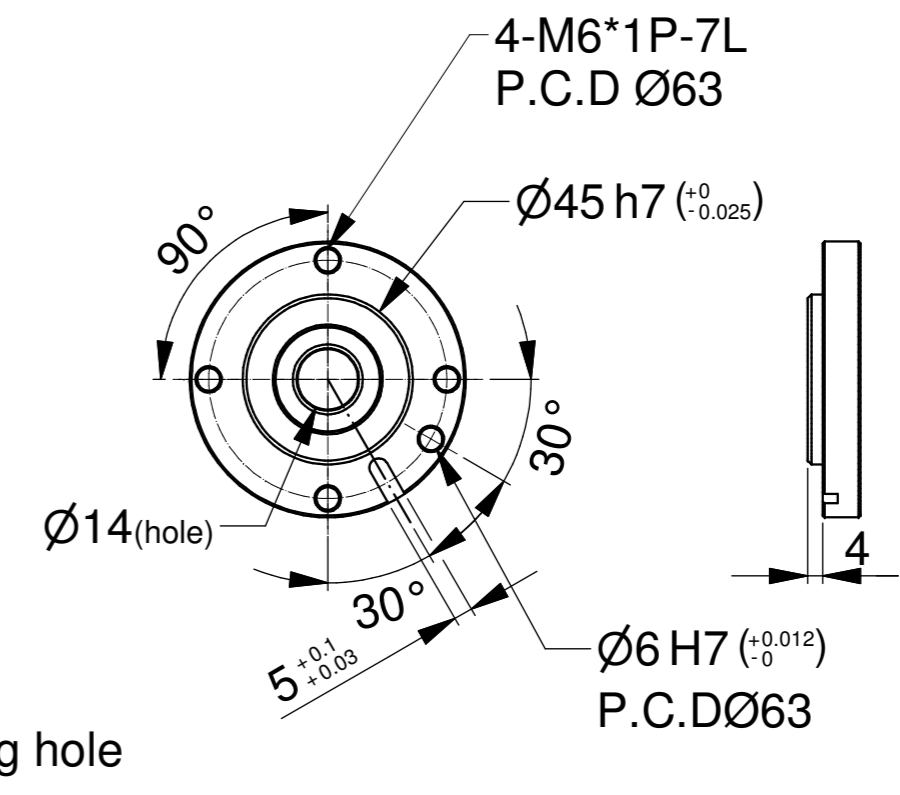
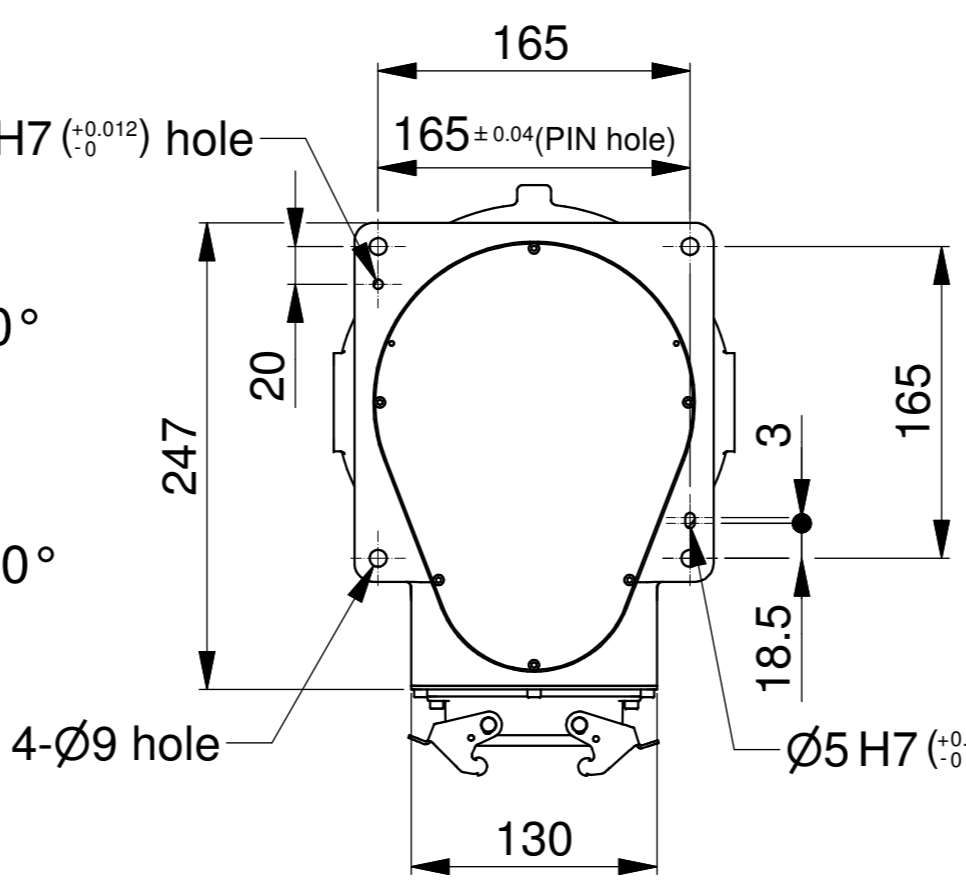
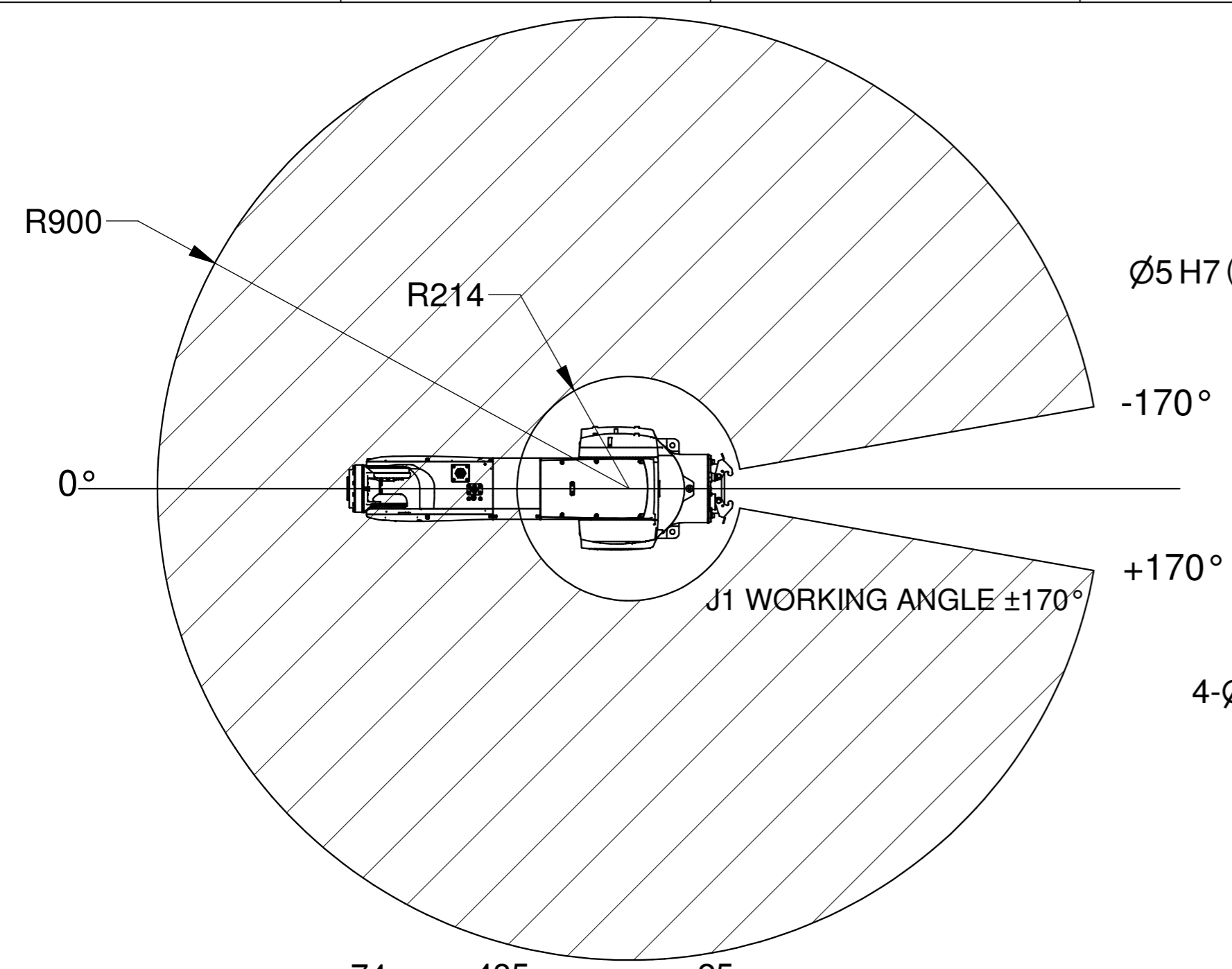


REV.	ECN NO.
00	-----

BASE FIX DRIAWING

FLANGE DRIAWING



台達電子工業股份有限公司 DELTA ELECTRONICS, INC.	DRAWN:	DESIGN:
	APPROVE:	DATE:
THESE DRAWINGS AND SPECIFICATIONS ARE THE PROPERTY OF DELTA ELECTRONICS, INC. AND SHALL NOT BE REPRODUCED OR USED AS THE BASIS FOR THE MANUFACTURE OR SELL OF APPARATUS OR DEVICES WITHOUT PERMISSION.	DIMENSIONAL TOLERANCES (V) () () () ANGLES DECIMALS <50 ±0.1 <50 ±0.15 <50 ±0.2 <30' ±0.1' X ±0.3 >50-100 ±0.15 >50-100 ±0.2 >50-100 ±0.25 >30'-60' ±0.3' X.X ±0.2 >100-200 ±0.2 >100-200 ±0.25 >100-200 ±0.3 >60'-90' ±0.5' X.XX ±0.1 >200- ±0.2% >200- ±0.25% >200- ±0.3%	
	DESCRIPTION: CONFIDENTIAL DELTA_IA-ROBOT_DRV90L_P-2D_Range of motion_20170717	
USED ON	A2 SIZE THIRD ANGLE PROJECTION	PART NO.: SHEET 1 OF 1