

1

2

3

4

A

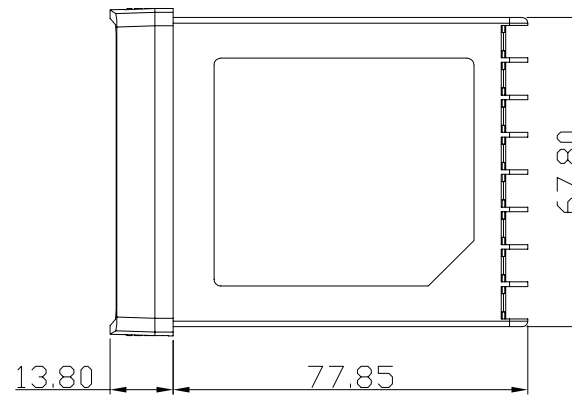
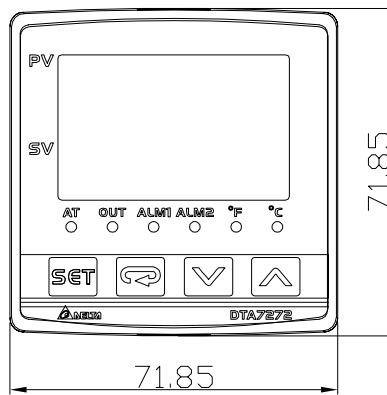
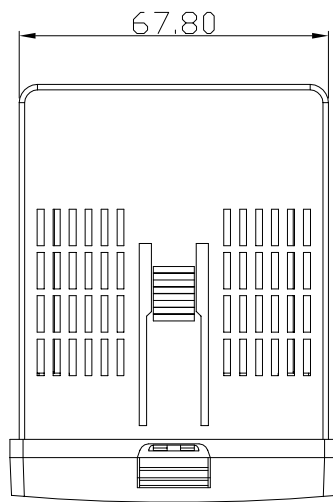
A

B

B

C

C



台達電子工業股份有限公司

DELTA ELECTRONICS, INC.

DIMENSIONAL TOLERANCES

| | () | () | () | () | ANGLES | | | | |
|----------|------|----------|-------|----------|--------|----------|-------|----------|-------|
| DECIMALS | <50 | ±0.1 | <50 | ±0.15 | <50 | ±0.2 | <30° | ±0.1° | |
| X | ±0.3 | >50~100 | ±0.15 | >50~100 | ±0.2 | >50~100 | ±0.25 | >30°~60° | ±0.3° |
| X.X | ±0.2 | >100~200 | ±0.2 | >100~200 | ±0.25 | >100~200 | ±0.3 | >60°~90° | ±0.5° |
| X.XX | ±0.1 | >200~ | ±0.2% | >200~ | ±0.25% | >200~ | ±0.3% | | |

DRAWN:

A4

DRAWING NAME:

DESIGN:

SIZE

7272

DATE: 06/16/2008



PART NO.:

REV.

ECN NO.

THIRD ANGLE PROJECTION

USED ON

00

THESE DRAWINGS AND SPECIFICATIONS ARE THE PROPERTY OF DELTA ELECTRONICS, INC. AND SHALL NOT BE REPRODUCED OR USED AS THE BASIS FOR THE MANUFACTURE OR SELL OF APPARATUSES OR DEVICES WITHOUT PERMISSION.

| | | | | |
|------|----|-------|---|--------------|
| UNIT | mm | SCALE | F | SHEET 1 OF 1 |
|------|----|-------|---|--------------|

7272

1

2

3

4