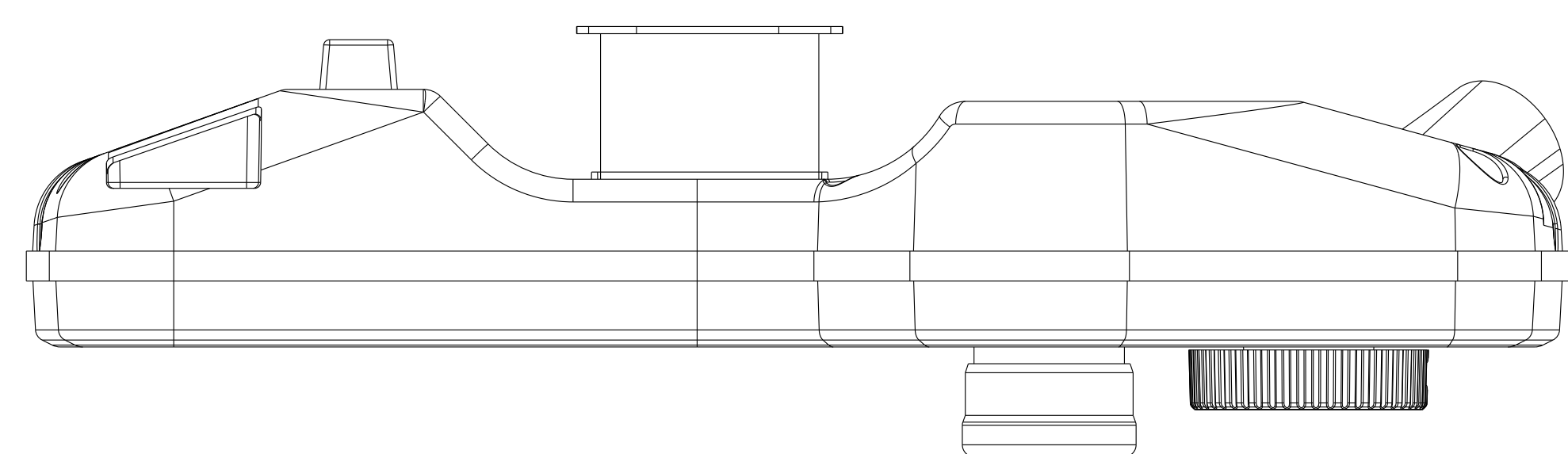


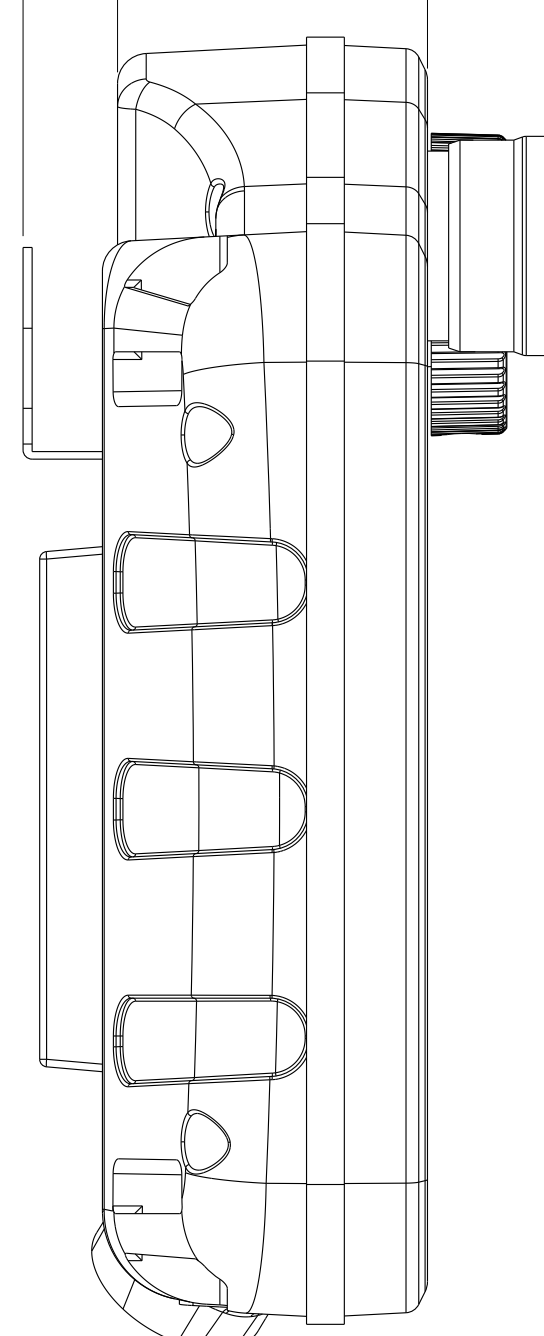
1 2 3 4 5 6 7 8 9 10 11 12 13 14

A B C D E F G H I J K L

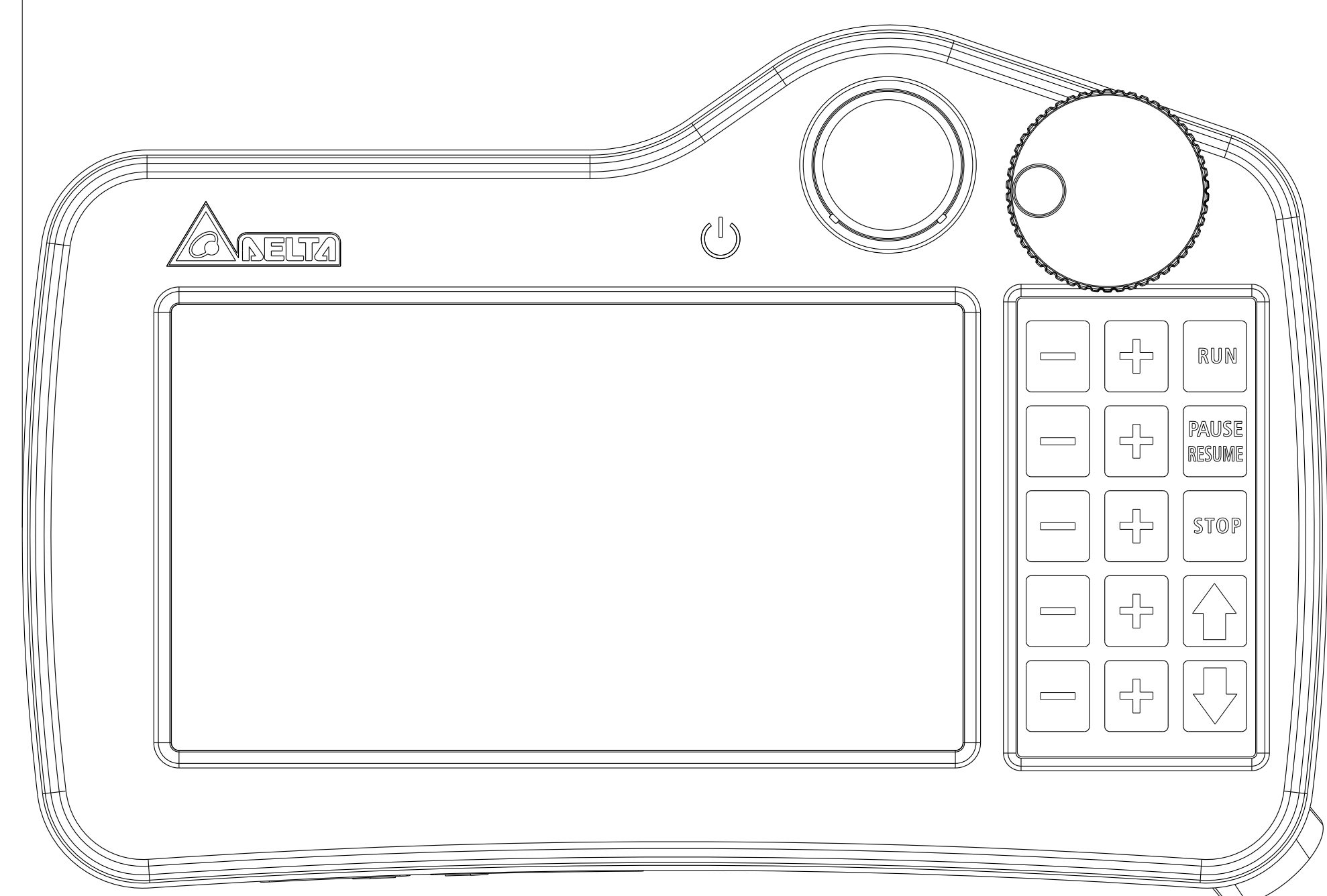
REV.	ECN NO.
00	-----



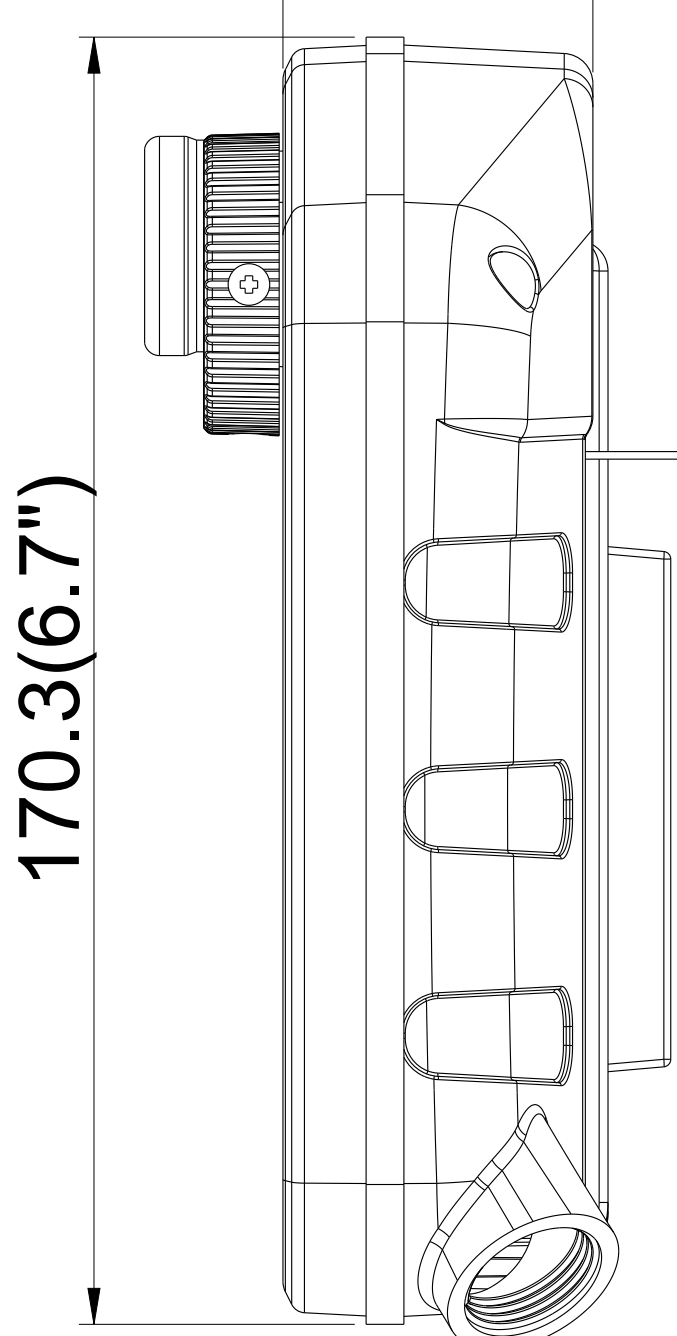
12.5(0.49") 18.3(0.72")



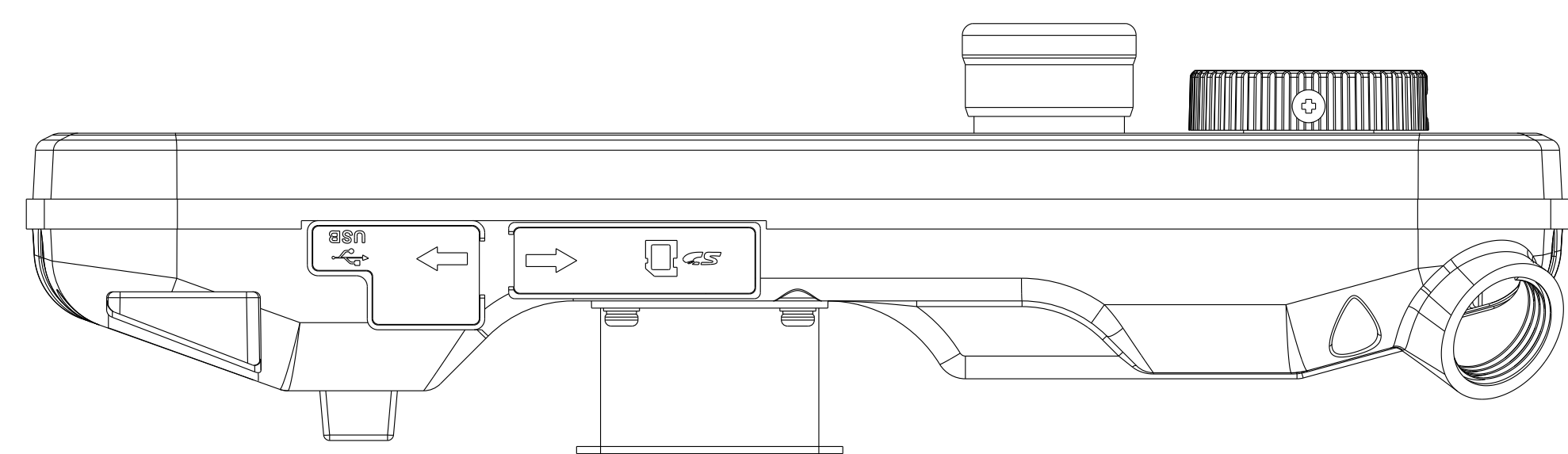
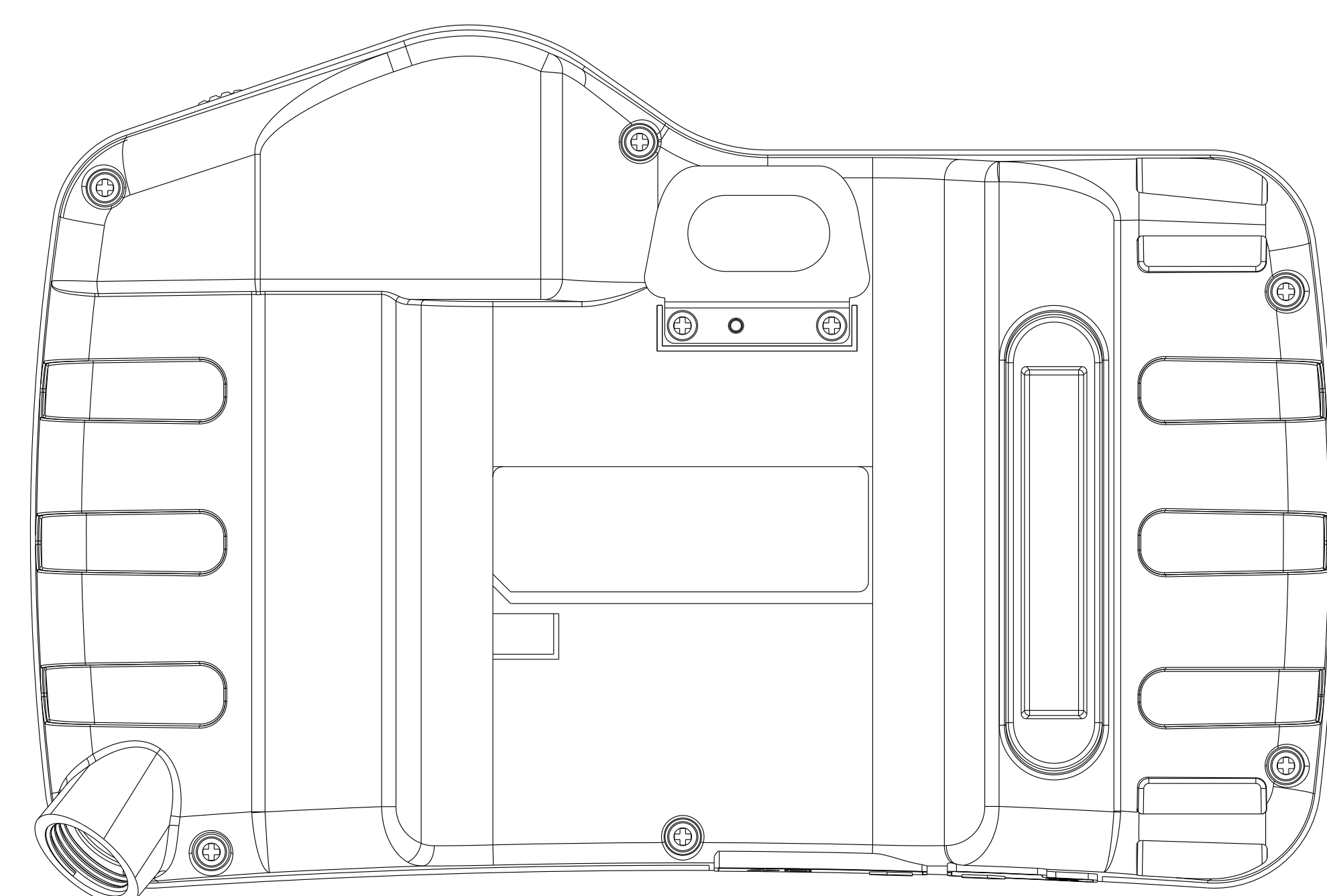
257.4(10.13")



41(1.61")



170.3(6.7")



台達電子工業股份有限公司 DELTA ELECTRONICS, INC.		DRAWN: _____ APPROVE: _____ DIMENSIONAL TOLERANCES (V) () () () ANGLES DECIMALS ≤ 50 ± 0.1 $>50-100$ ± 0.15 $>100-150$ ± 0.2 $>150-200$ ± 0.25 $>200-300$ ± 0.3 $>300-400$ ± 0.4 X ± 0.3 $>50-100$ ± 0.15 $>100-150$ ± 0.2 $>150-200$ ± 0.25 $>200-300$ ± 0.3 $>300-400$ ± 0.4 X.X ± 0.2 $>100-200$ ± 0.2 $>100-200$ ± 0.25 $>100-200$ ± 0.3 $>200-300$ ± 0.4 X.XX ± 0.1 $>200-300$ ± 0.2 $>200-300$ ± 0.25 $>200-300$ ± 0.3	DESIGN: _____ DATE: 03/04/2015
THESE DRAWINGS AND SPECIFICATIONS ARE THE PROPERTY OF DELTA ELECTRONICS, INC. AND SHALL NOT BE REPRODUCED OR USED AS THE BASIS FOR THE MANUFACTURE OR SELL OF APPARATUS OR DEVICES WITHOUT PERMISSION.		PART NO.: _____ REV. 00	
DESCRIPTION: _____ USED ON _____	CONFIDENTIAL AO SIZE THIRD ANGLE PROJECTION UNIT mm SCALE 1.000 SHEET 1 OF 1	REV. 00	

1 2 3 4 5 6 7 8 9 10 11 12 13 14