

1

2

3

4

A

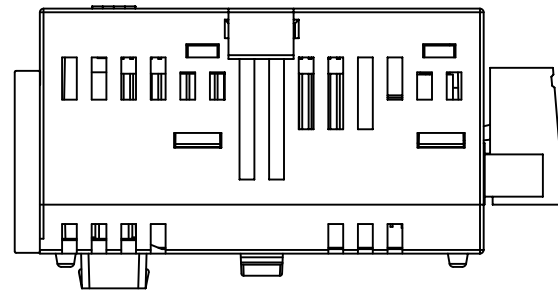
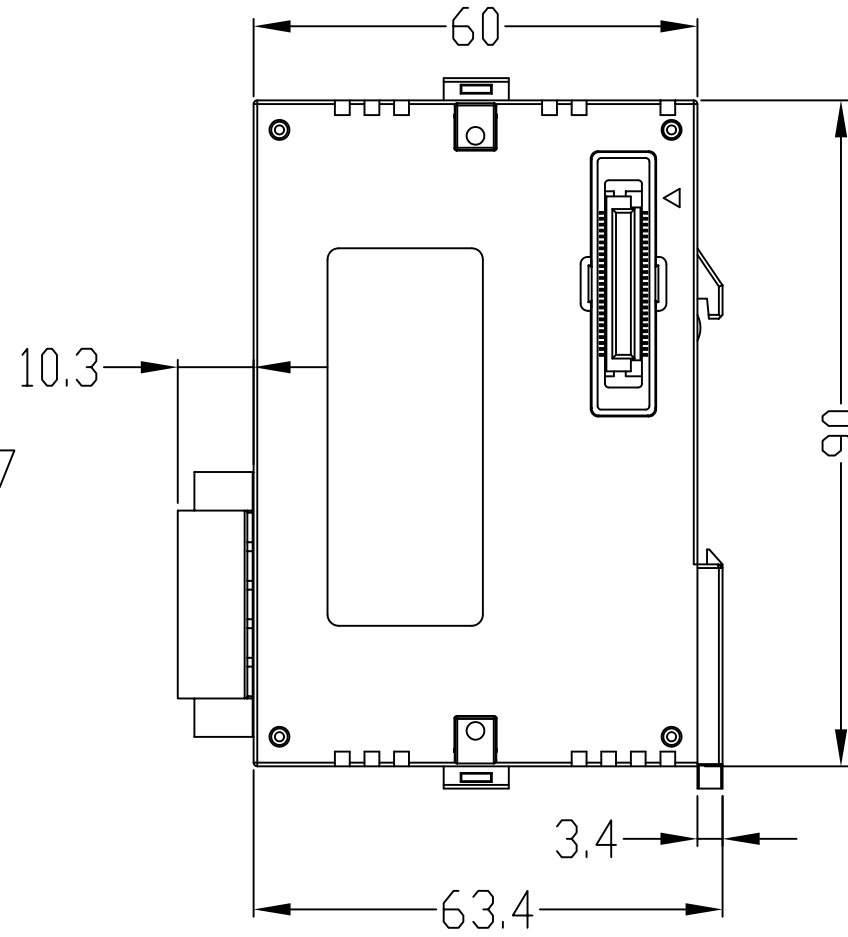
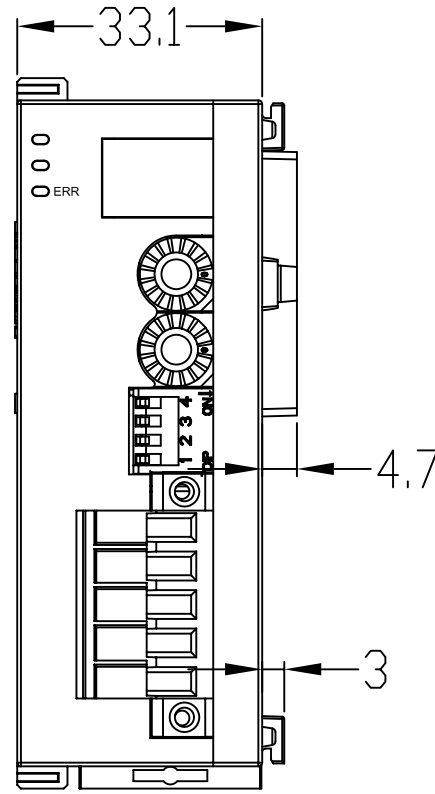
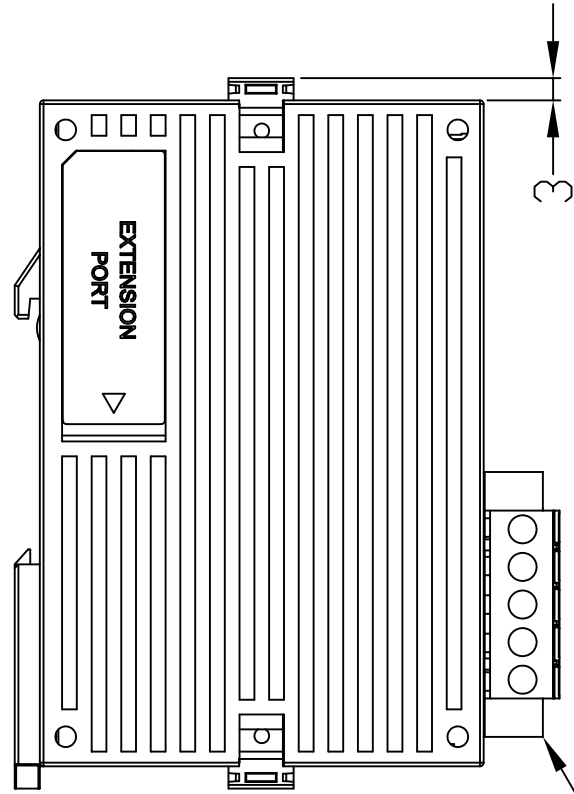
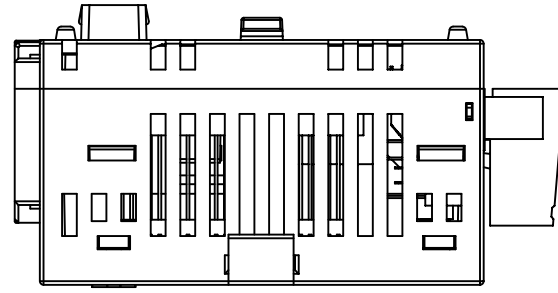
A

B

B

C

C



TERMINAL
BLOCK

REV.	ECN NO.
00	-----

台達電子工業股份有限公司 DELTA ELECTRONICS, INC.		DRAWN: _____ DATE: _____	DESIGN: _____ ECN NO.: _____
THESE DRAWINGS AND SPECIFICATIONS ARE THE PROPERTY OF DELTA ELECTRONICS, INC. AND SHALL NOT BE REPRODUCED OR USED AS THE BASIS FOR THE MANUFACTURE OR SELL OF APPARATUS OR DEVICES WITHOUT PERMISSION.		DIMENSIONAL TOLERANCES () () () ANGLES DECIMALS <50 ±0.1 <50 ±0.15 <50 ±0.2 <30° ±0.1° X ±0.3 >50-100 ±0.15 >50-100 ±0.2 >50-100 ±0.25 >30°-60° ±0.3° X.X ±0.2 >100-200 ±0.2 >100-200 ±0.25 >100-200 ±0.3 >60°-90° ±0.5° X.XX ±0.1 >200- ±0.2 >200- ±0.25 >200- ±0.3	
DRAWING NAME: DVPCOPM-SL		A3 SIZE 	PART NO.: _____ REV. _____
USED ON _____	UNIT mm	SCALE _____	SHEET 1 OF 1

1

2

3

4