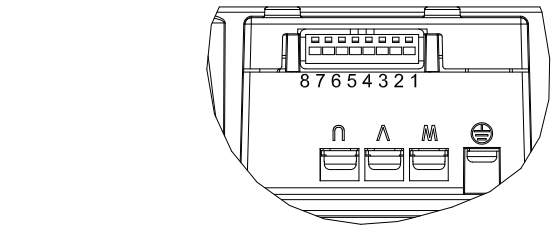
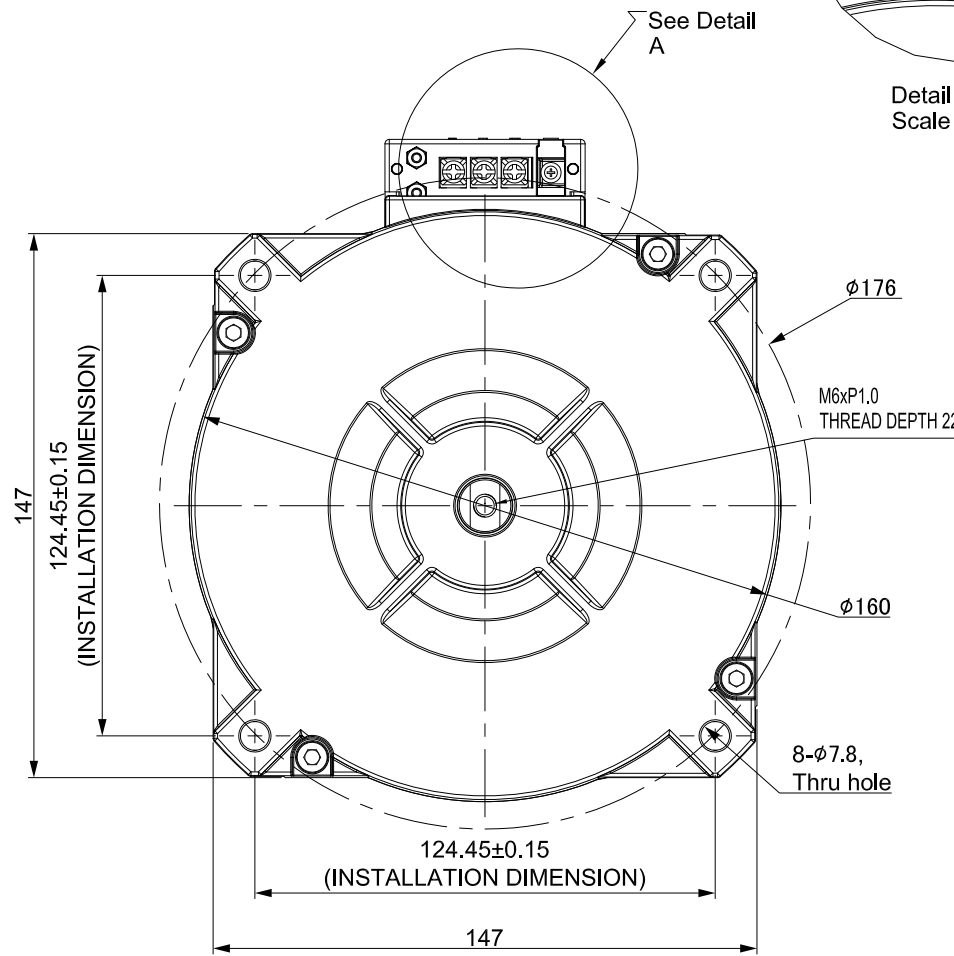
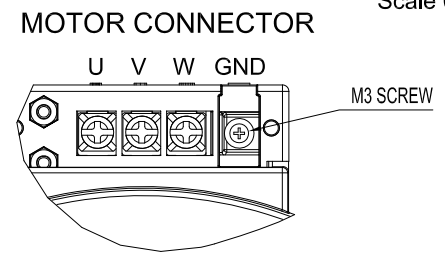


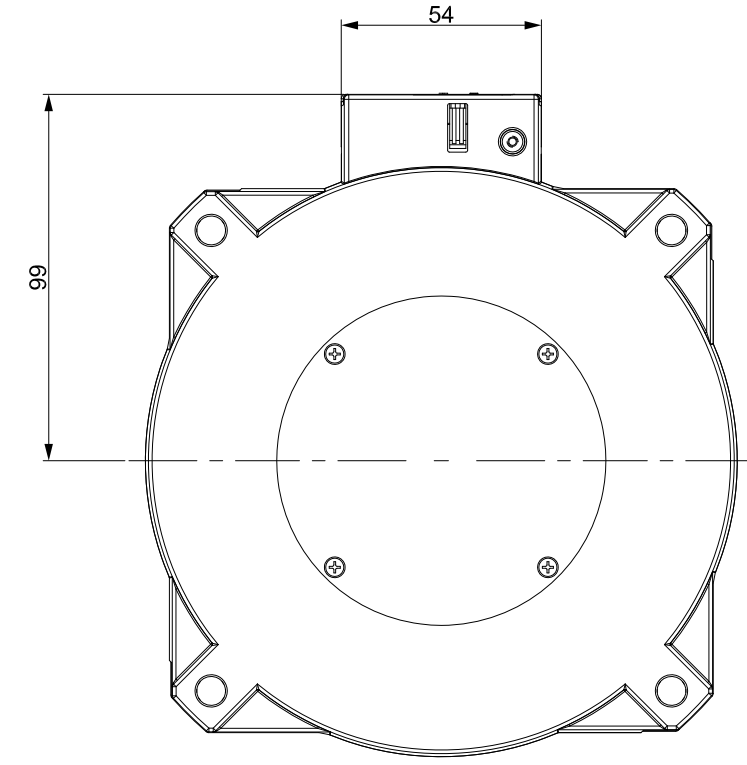
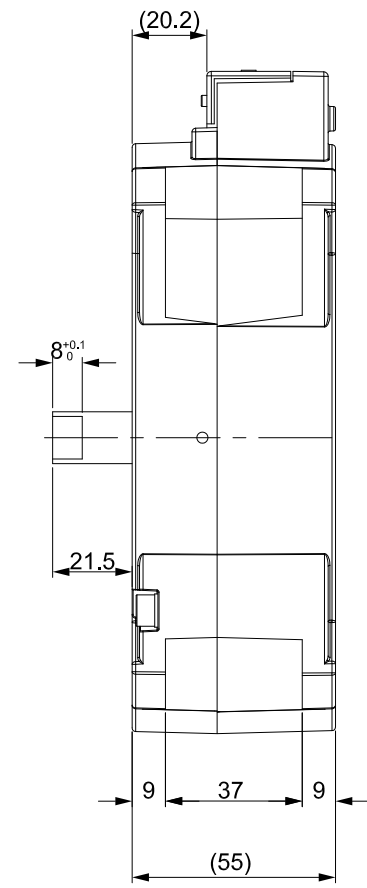
REV.	ECN NO.
00	-----



Detail B
Scale 0.800



Detail A
Scale 0.800



ENCODER CONNECTOR

PIN NO.	1	2	3	4	5	6	7	8
FUNCTION	A+	A-	B+	B-	PWM+	PWM-	+5V	GND
COLOR	BLK	BLK/RED	WHT	WHT/RED	ORG	ORG/RED	BRN	BLU

台達電子工業股份有限公司 DELTA ELECTRONICS, INC.		DRAWN: Taiyuan.chen APPROVE: Oliver.Hsu	DESIGN: Taiyuan.chen DATE: 2018/10/26
THESE DRAWINGS AND SPECIFICATIONS ARE THE PROPERTY OF DELTA ELECTRONICS, INC. AND SHALL NOT BE REPRODUCED OR USED AS THE BASIS FOR THE MANUFACTURE OR SELL OF APPARATUSES OR DEVICES WITHOUT PERMISSION.			
DESCRIPTION: PHYSICAL DIMENSION		PART NO.: ECMD-B81610MS	
USED ON	UNIT: mm	SCALE: 0.500	SHEET 1 OF 1