

1

2

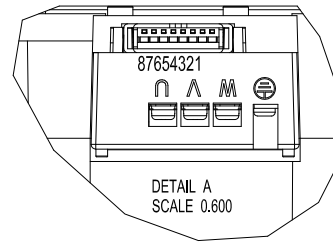
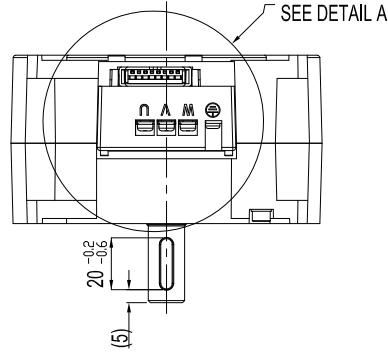
3

4

REV.	ECN NO.
00	-----

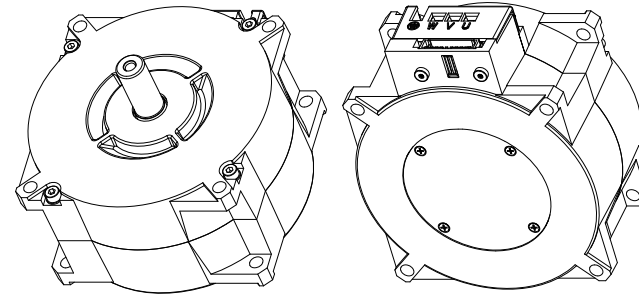
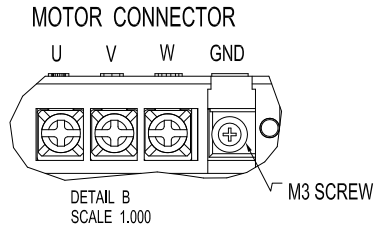
A

A



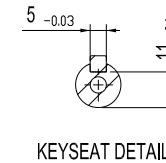
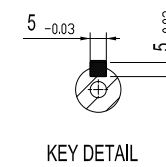
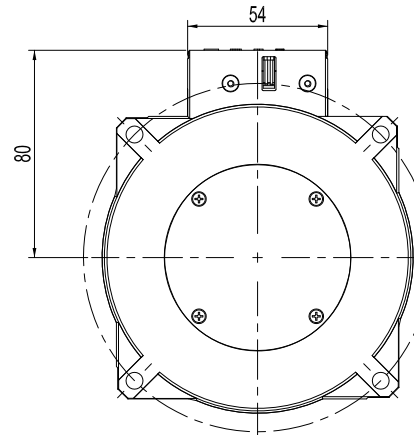
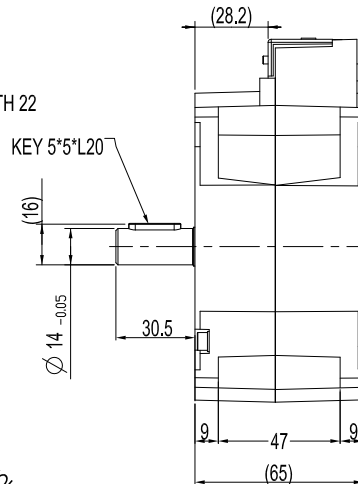
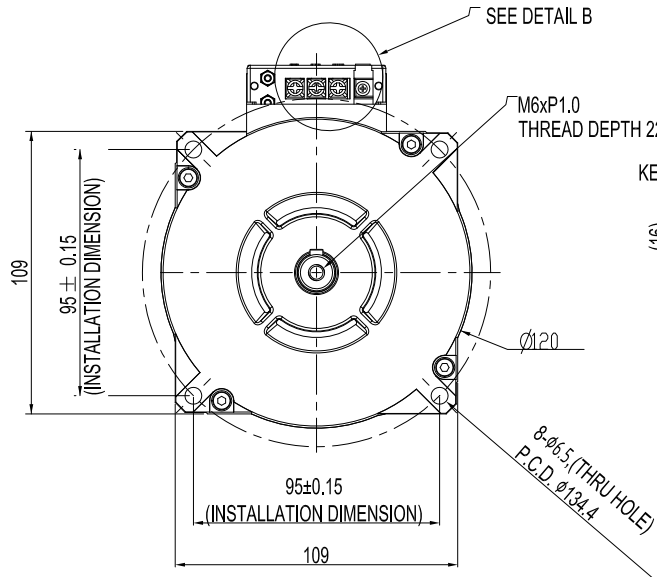
ENCODER CONNECTOR

PIN NO.	1	2	3	4	5	6	7	8
FUNCTION	A+	NTC+	B+	NTC-	PWM+	PWM-	+5V	GND
COLOR	BLK	BLK/RED	WHT	WHT/RED	ORG	ORG/RED	BRN	BLU



B

B



C

C

台灣電子工業股份有限公司 DELTA ELECTRONICS, INC.		DRAWN: Taiyuan.chen	DESIGN: Taiyuan.chen
APPROVE: Oliver.Hsu		DATE: 2018/10/26	
THESE DRAWINGS AND SPECIFICATIONS ARE THE PROPERTY OF DELTA ELECTRONICS, INC. AND SHALL NOT BE REPRODUCED OR USED AS THE BASIS FOR THE MANUFACTURE OR SELL OF APPARATUSES OR DEVICES WITHOUT PERMISSION.			
DIMENSIONAL TOLERANCES (V) () ANGLES			
DECIMALS <50 ±0.1 <50 ±0.15 <50 ±0.2 <30° ±0.1°			
X ±0.3 >50-100 ±0.15 >100-200 ±0.2 >200-500 ±0.25 >500-1000 ±0.3 >1000-2000 ±0.4 >2000-5000 ±0.5			
X.X ±0.2 >100-200 ±0.2 >200-500 ±0.25 >500-1000 ±0.3 >1000-2000 ±0.4 >2000-5000 ±0.5			
X.XX ±0.1 >200-500 ±0.2 >500-1000 ±0.25 >1000-2000 ±0.3 >2000-5000 ±0.4			
DESCRIPTION: CONFIDENTIAL		PART NO.: ECMD-B91207MN	
PHYSICAL DIMENSION		REV. 00	
USED ON	UNIT mm	SCALE 0.500	SHEET 1 OF 1

1

2

3

4