

1

2

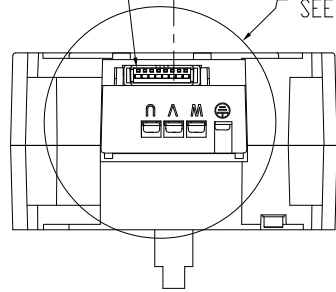
3

4

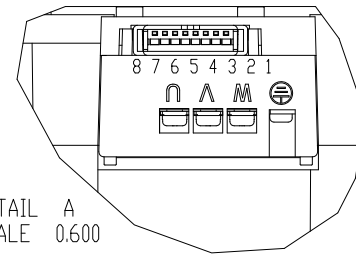
REV. ECN NO.

ENCODER CONNECTOR
J0WLE C2521H02-8P

SEE DETAIL A

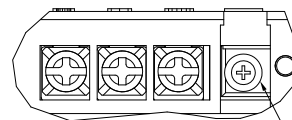


DETAIL A
SCALE 0.600

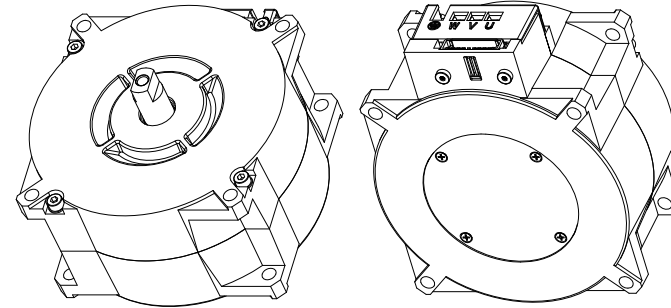


MOTOR CONNECTOR

U V W GND



DETAIL B
SCALE 1.000
M3 SCREW



A

A

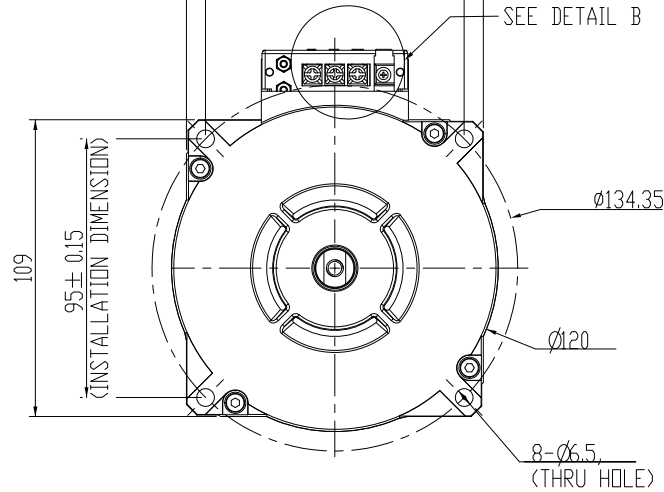
B

B

109

95 ± 0.15
(INSTALLATION DIMENSION)

SEE DETAIL B



ENCODER CONNECTOR

(28.2)

Ø14 -0.05

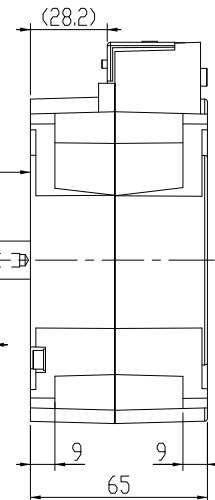
21.5

8 +0.1

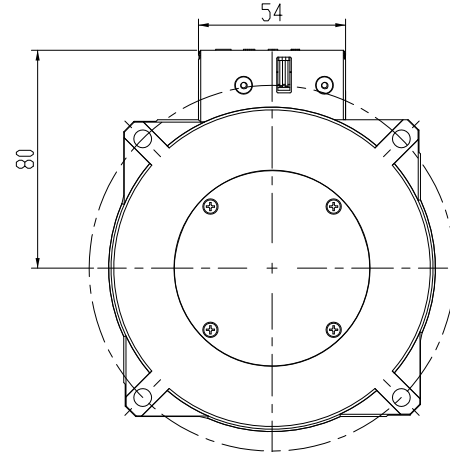
9

9

65



54



C

C

PIN NO.	1	2	3	4	5	6	7	8
FUNCTION	A+	A-	B+	B-	PWM+	PWM-	+5V	GND
COLOR	BLK	BLK/RED	WHT	WHT/RED	ORG	ORG/RED	BRN	BLU

台達電子工業股份有限公司 DELTA ELECTRONICS, INC.		DRAWN:	DESIGN:
THESE DRAWINGS AND SPECIFICATIONS ARE THE PROPERTY OF DELTA ELECTRONICS, INC. AND SHALL NOT BE REPRODUCED OR USED AS THE BASIS FOR THE MANUFACTURE OR SELL OF APPARATUS OR DEVICES WITHOUT PERMISSION.		APPROVE:	DATE: 06/03/2016
DESCRIPTION: CONFIDENTIAL Physical Dimension		DIMENSIONAL TOLERANCES () () () ANGLES DECIMALS <50 ±0.1 <50 ±0.15 <50 ±0.2 <30' ±0.1 X ±0.3 >50'100±0.15 >50'100±0.2 >50'100±0.25 >30'60±0.3 X.X ±0.2 >100'200±0.2 >100'200±0.25 >100'200±0.3 >60'90±0.5 X.XX±0.1 >200' ±0.2% >200' ±0.25% >200' ±0.3%	
USED ON	ECMD-B91207MS	A3 SIZE THIRD ANGLE PROJECTION	PART NO.:
UNIT	M/M	SCALE	SHEET 1 OF 1
			REV. 00

1

2

3

4