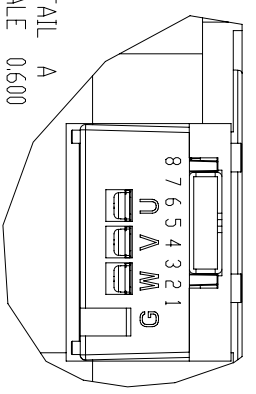
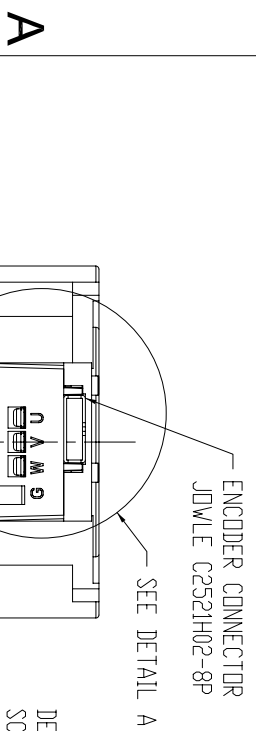
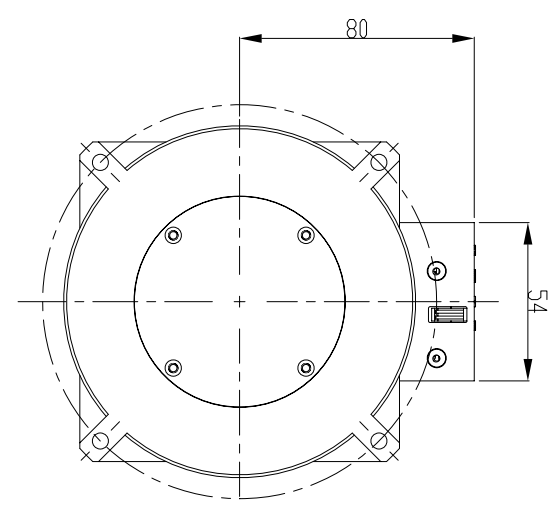
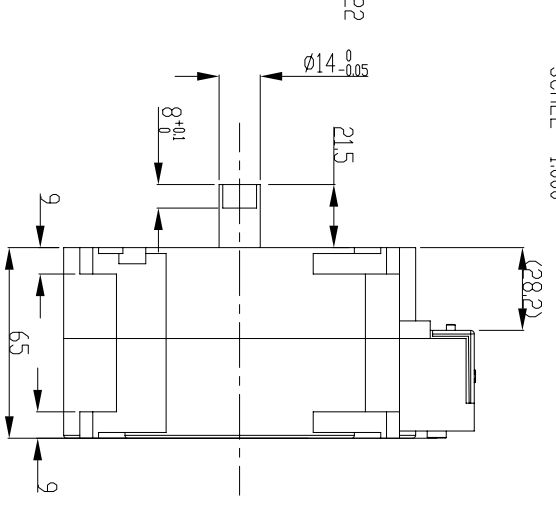
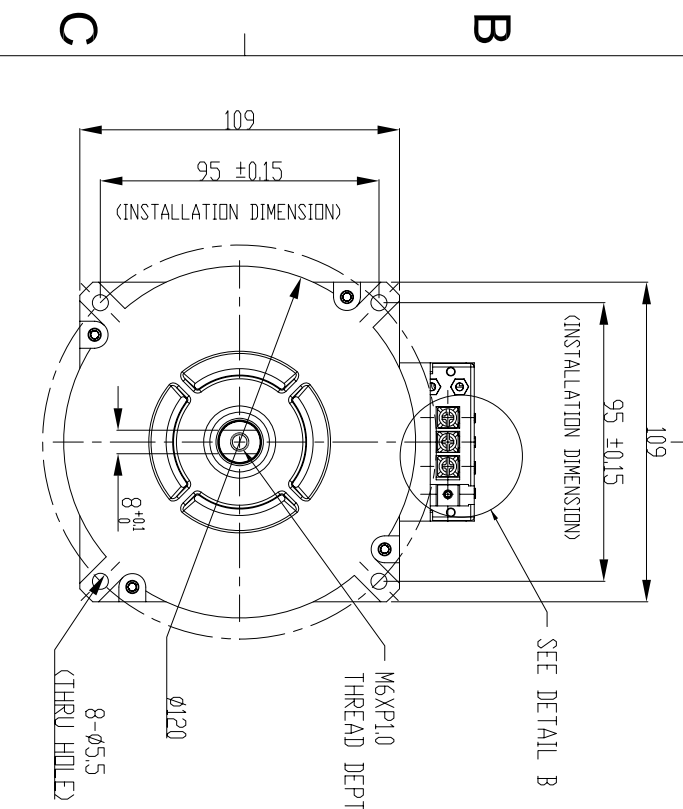
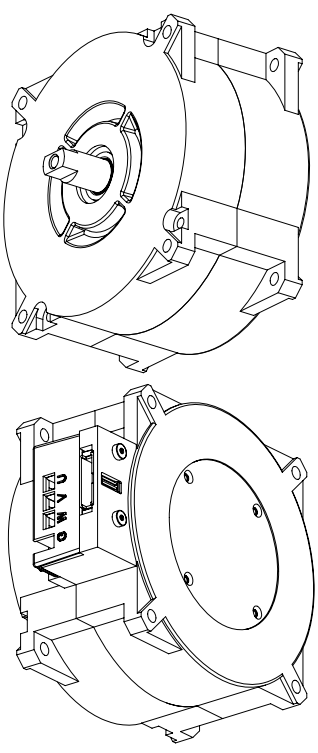
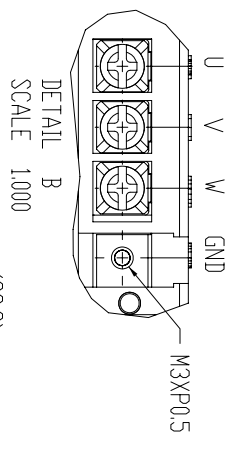


1 2 3 4



ENCODER CONNECTOR								
PIN NO.	1	2	3	4	5	6	7	8
FUNCTION	A+	A-	B+	B-	PWM+	PWM-	+5V	GND
COLOR	BLK	BLK/RED	WHT	WHT/RED	DRG	DRG/RED	BRN	BLU

MOTOR CONNECTOR



THESE DRAWINGS AND SPECIFICATIONS ARE THE PROPERTY OF DELTA ELECTRONICS, INC. AND SHALL NOT BE REPRODUCED OR USED AS THE BASIS FOR THE MANUFACTURE OR SELL OF APPARATUS OR DEVICES WITHOUT PERMISSION.

DIMENSIONAL TOLERANCES			
(V)	( )	( )	( )
DECIMALS	<50	±0.1	<50
X	>50-100	±0.15	>50-100
X.X	>100-200	±0.2	>100-200
X.XX	>200-	±0.25%	>200-
X.XXX	>200-	±0.25%	>200-

DRAWN: SUPER	
DESIGN: SUPER	
DATE:	2011-01-21
ECN NO.	

DRAWING NAME: A4	
SIZE	A4
PART NO.:	ECMD-B9120GMS
USED ON	
REV.	

1 2 3 4