

A

B

C

A

B

C

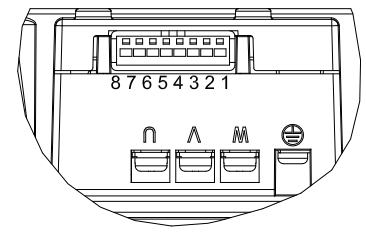
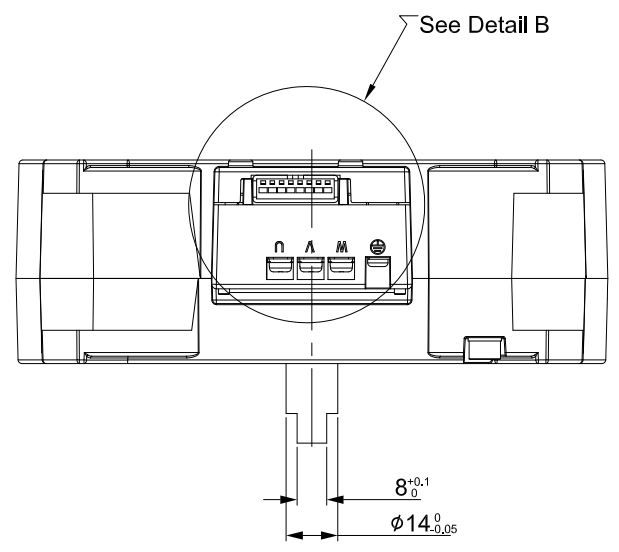
1

2

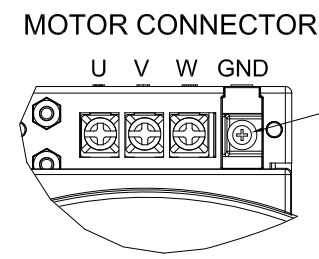
3

4

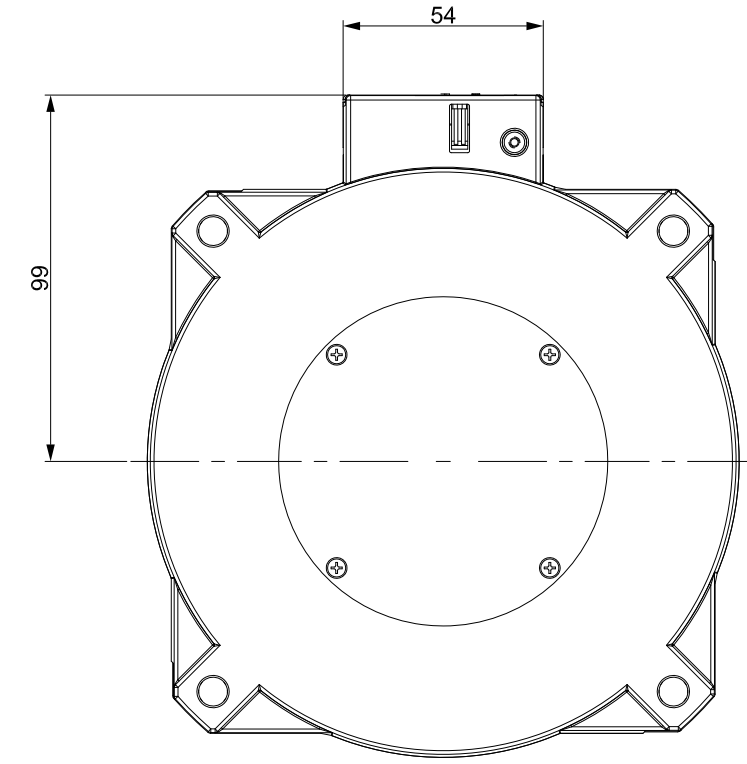
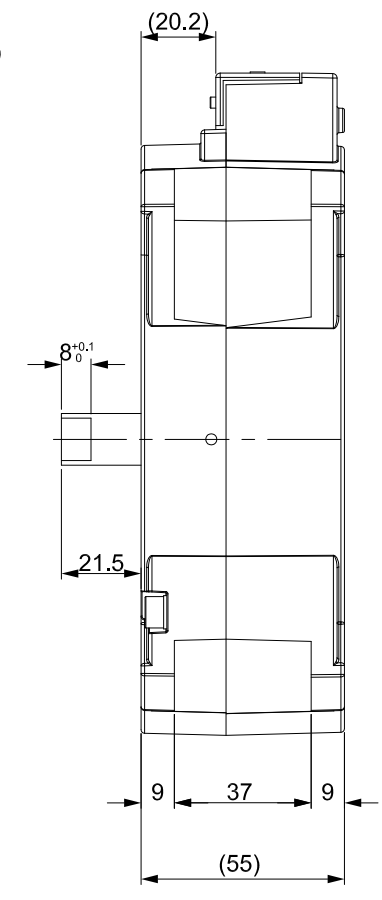
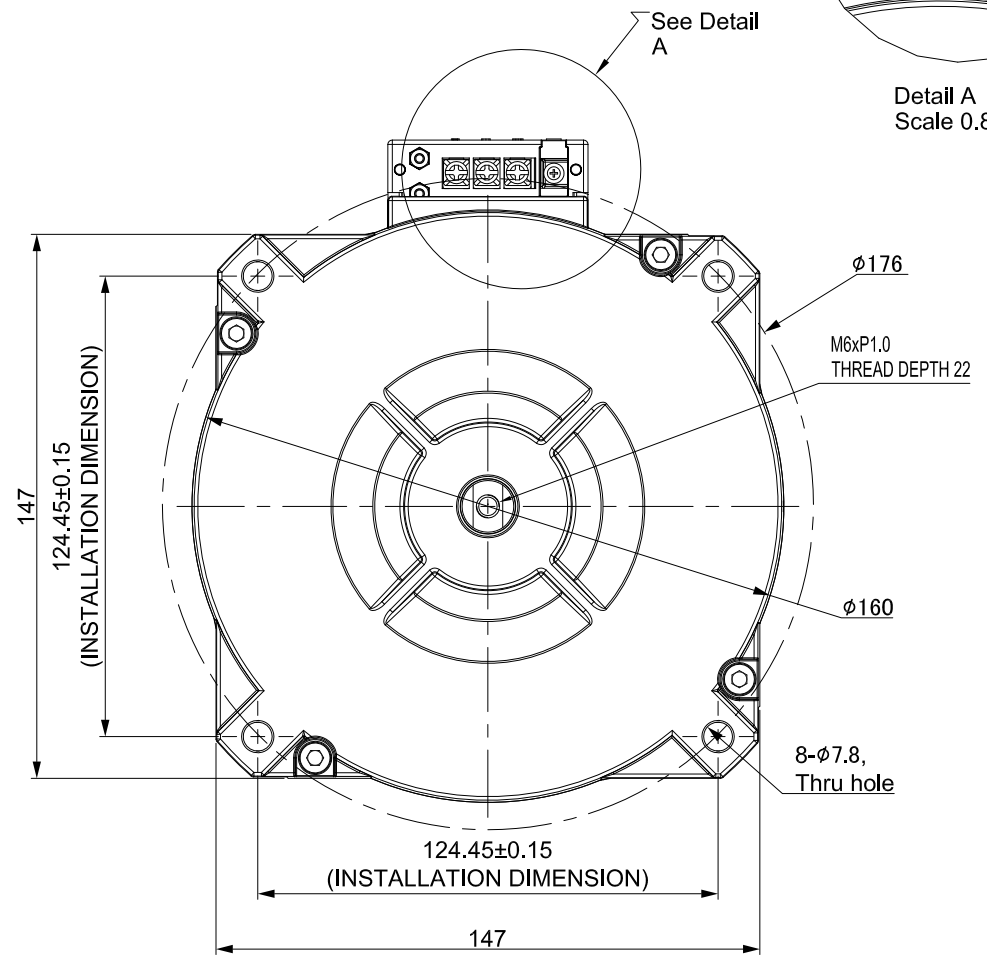
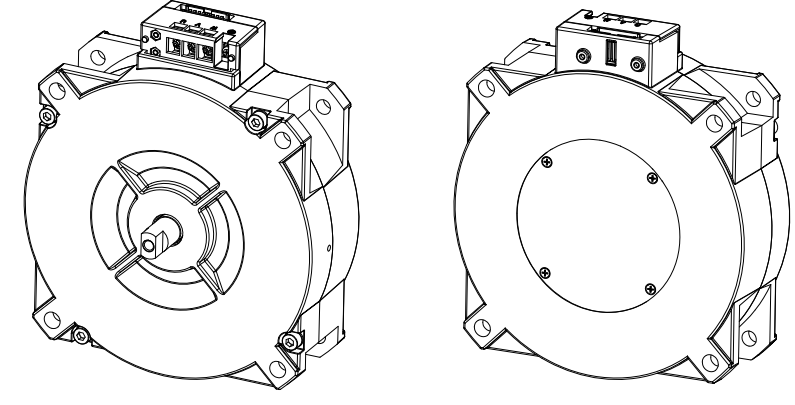
REV.	ECN NO.
00	-----



Detail B Scale 0.800



Detail A Scale 0.800



ENCODER CONNECTOR

PIN NO.	1	2	3	4	5	6	7	8
FUNCTION	A+	A-	B+	B-	PWM+	PWM-	+5V	GND
COLOR	BLK	BLK/RED	WHT	WHT/RED	ORG	ORG/RED	BRN	BLU

DELTA 台達電子工業股份有限公司
DELTA ELECTRONICS, INC.

DRAWN: Taiyuan.chen DESIGN: Taiyuan.chen
 APPROVE: Oliver.Hsu DATE: 2018/10/26

THESE DRAWINGS AND SPECIFICATIONS ARE THE PROPERTY OF DELTA ELECTRONICS, INC. AND SHALL NOT BE REPRODUCED OR USED AS THE BASIS FOR THE MANUFACTURE OR SELL OF APPARATUSES OR DEVICES WITHOUT PERMISSION.

DESCRIPTION: CONFIDENTIAL

A3 SIZE THIRD ANGLE PROJECTION	PART NO.:		REV.
	ECMD-B91608MS		
USED ON	UNIT	SCALE	SHEET 1 OF 1

1

2

3

4