
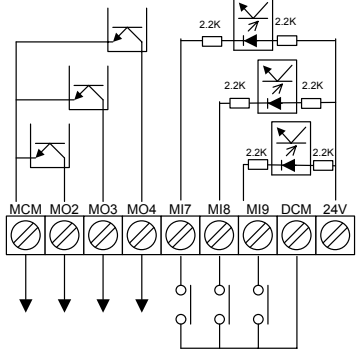

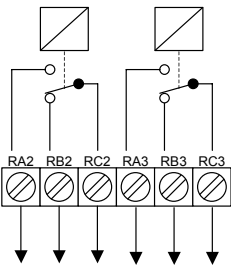

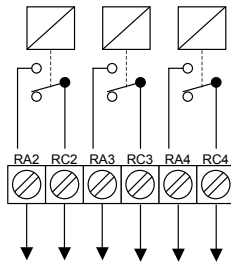


Extension Card Instruction Sheet for EME-D33A, EME-R2CA and EME-R3AA

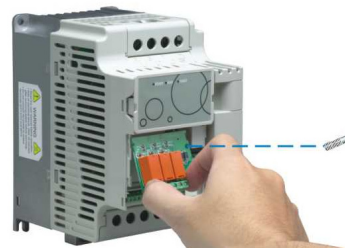
- ◆ Please thoroughly read this instruction sheet before installing option cards and putting them into use.
- ◆ The content of this instruction sheet may be revised without prior notice. Please consult our distributors or download the most updated version at <http://www.delta.com.tw/industrialautomation>

① Layout and wiring

| I/O Card EME-D33A | Relay Card EME-R2CA | Relay Card EME-R3AA |
|----------------------------------------------------------------------------------------------------------------------------------------------------------------------|----------------------------------------------------------------------------------------------------------------------------------------------------------------------|--------------------------------------------------------------------------------------------------------------------------------------------------------------------------|
|   |   |   |

② Installation

- Make sure that the AC Motor Drive is powered off before operation. DO NOT insert or remove the card when the AC Motor Drive is powered on.
- Please mount the extension card as shown and fix it with the screw packed with the card.



Screw torque:
Maximum 2kgf-cm

- Terminals screw torque
EME-D33A: Maximum 2kgf-cm
EME-R2CA/EME-R3AA: Maximum 5kgf-cm
- Wire gauge
EME-D33A: 16~24 AWG
EME-R2CA/EME-R3AA: 12~24 AWG

NOTE

Only when the extension card is correctly installed on the AC Motor Drive, the extension card will be automatically detected. The parameters can be set in Group 11. Refer to Chapter 5: Parameters in the user manual for further details.

3 Specification

■ Environmental

| | |
|-------------------------------|--------------------------------------------------------------------------------------------------|
| Operating Temperature: | -10°C to 50°C (non-condensing and not frozen) |
| Storage temperature: | -20°C to +60°C |
| Ambient Humidity: | less than 90%RH (non-condensing) |
| Installation Altitude: | below 1000m |
| Vibration: | Maximum 9.81 m/s ² (1G) at <20 Hz and maximum 5.88 m/s ² (0.6G) at 20-50Hz |

NOTE

Always use this product in a clean indoor location free from dust, corrosive gas and liquid.

■ Inputs/Outputs

• EME-D33A

| | |
|-----------------|----------------------------------------------------------------------------------------|
| MI7~MI9: | ON: activation current (Min.: 4mA, Max.: 16mA) OFF: leakage current $\leq 10 \mu A$ |
| MO2~MO4: | Maximum 48VDC, 50mA |

• EME-R2CA (for each contact)

| | |
|------------------------|----------------------------------------------------------------|
| Resistive Load: | C-A (N.O.): 5A 250VAC/30VDC C-B (N.C.): 3A 250VAC/30VDC |
| Inductive Load: | C-A (N.O.): 1.5A 250VAC/30VDC C-B (N.C.): 0.5A 250VAC/30VDC |

• EME-R3AA (for each contact)

| | |
|------------------------|-----------------|
| Resistive Load: | 6A 250VAC/30VDC |
| Inductive Load: | 2A 250VAC/30VDC |

4 Notes

- When the relays are used to switch inductive loads (relays, contactors, motors, etc), connect an RC network or Varistor parallel to the load to suppress voltage spikes.
- For safety, it is recommended to use fuses for the circuitry that is switched by the relays. The fuse specification must be within the specified contact limits (see Specification).
- Please use shielded wires to avoid interferences and connect the shield to ground.
- The ends of wires must be tinned or crimped.
- To avoid interference, route the extension card wires separately and as far away (at least 15cm) as possible from other control wires, motor wires and power wires...etc.. Where these wires must cross each other, please make sure they are at a 90° angle.
- Always use and operate this product within the limit of its specifications.
- For other notes on operation, please refer to the VFD-E user manual.