

DVS-008W00-M12

EN	Instruction Sheet
TR	Bilgi Dökümanı
TW	安裝說明
CN	安装说明

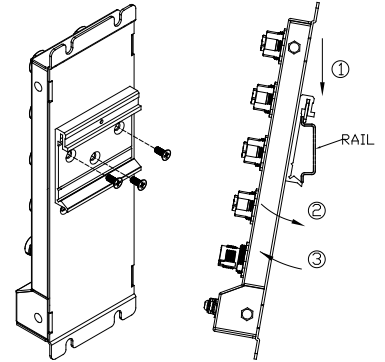


- EN ✎ This instruction sheet only provides information on electrical specifications, general specifications, installation and wiring.
- TR ✎ Bu montaj kılavuzu sadece elektriksel özellikler, genel özellikler, kurulum ve kablolama sağlar.
- TW ✎ 此安裝手冊只提供電氣規格、一般規格、安裝及配線。
- CN ✎ 此安裝手冊只提供电气规格、一般规格、安装及配线。

EN	Assembly	TR	Montaj	TW	安裝	CN	组装
----	----------	----	--------	----	----	----	----

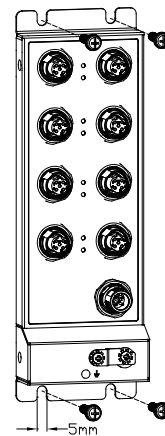
- EN Attach the back trench of the device to the mounting rail in arrow ① direction and push the device against the rail in arrow ② direction. To disassemble, first push down the device in arrow ① direction and follow arrow ③ direction to release the device. Screw Size: M3x6L
- TR Cihazın arka kanalını montaj rayına ok ① yönünde takın ve cihazı ok ② yönünde raya doğru itin. Sökmek için, önce cihazı ok ① yönünde aşağı doğru bastırın ve cihazı serbest bırakmak için ok ③ yönünü izleyin. Vida Boyutu: M3x6L

DIN-rail installation



- TW 將機器後方勾槽依 1 號箭頭方向掛上鋁軌並依 2 號箭頭方向往鋁軌壓。即完成。欲取下機器時，依 1 號箭頭方向向下壓並依 3 號箭頭方向取出。螺絲尺寸：M3x6L
- CN 將機器後方勾槽依 1 號箭頭方向掛上鋁軌並依 2 號箭頭方向往鋁軌壓。即完成。欲取下機器時，依 1 號箭頭方向向下壓並依 3 號箭頭方向取出。螺絲尺寸：M3x6L

Wall-mounting installation



Delta Greentech Elektronik San. Ltd. Şti.

Şerifali Mahallesi, Hendem Caddesi, Kule Sokak, No:16,
A Blok Ümraniye / İstanbul, Türkiye
TEL: +90 216 499 99 10 Fax: +90 216 499 80 70
Website: www.delta-turkey.com

Factory information:

Delta Electronics, Inc.

Taiwan

31-1 Xingbang Road,
Guishan Industrial Zone,
Taoyuan County 33370,
Taiwan

TEL: 886-3-362-6301
FAX: 886-3-362-7267

China

1688 Jiangping East Road,
Wujiang Economic Development Zone
Wujiang City, Jiang Su Province,
People's Republic of China (Post code: 215200)

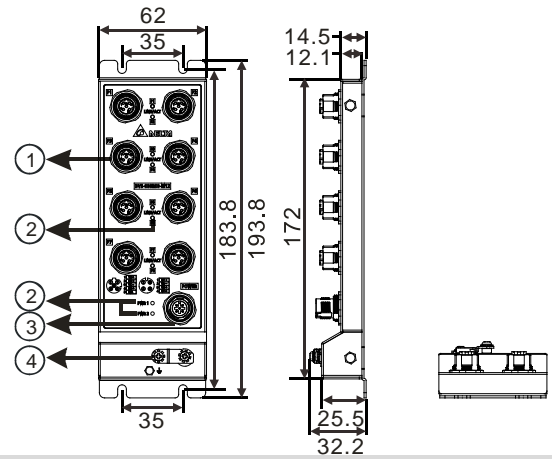
TEL: 86-512-6340-3008
FAX: 86-769-6340-7290

EN Dimensions(mm) & Product Profile

TR Ölçüler(mm) & Ürün Görünüşü

TW 尺寸 (mm) 及產品外觀

CN 尺寸 (mm) 及產品外觀



EN	TR	TW	CN
1 Ethernet communication port (M12 D-code)	Ethernet haberleşme port (M12 D kodu)	乙太網通訊埠 (M12 D-code)	以太网通讯口 (M12 D-code)
2 LED indicator	LED gösterge	LED 指示燈	LED 指示灯
3 Power terminal (M12 A-code)	Güç terminali (M12 A kodu)	電源輸入端子 (M12 A-code)	电源输入端子 (M12 A-code)
4 Ground	zemin	接地	接地

EN	TR	TW	CN
LED indicator	LED gösterge	LED 指示燈	LED 指示灯
PWR1/PWR2	Green ON	Power ON	
	Green OFF	Power OFF	
LINK/ACT	Solid Green	RJ45 Port Link ON (P1-P8)	
	Blinking Green	RJ45 Port ACT ON (P1-P8)	
	Green OFF	RJ45 Port Link OFF (P1-P8)	

EN	TR	TW	CN
Specification	Spesifikasyonu	產品規格	产品规格
Model Description / Model Tanım / 機種描述 / 机种描述	Unmanaged 8 10/100Base-T(X) M12 Ports		
Power supply / Güç Besleme / 電源需求 / 电源需求	+12V ~ +48VDC, Max 3.6W, Redundant input		
Operation humidity / Çalışma nem aralığı / 操作濕度 / 操作湿度	5~95% (Non-condensing)		
Operation Tem. / Çalışma Sıcaklığı / 操作溫度 / 操作温度	-40°C ~ 75°C		
Storage Tem. / Saklama Sıcaklığı / 儲存溫度 / 储存温度	-40°C ~ 85°C		
Interface / Arayüz / 介面 / 界面	<ul style="list-style-type: none"> M12 D-code, 10/100Base-TX, Auto MDI/MDI-X & Auto Negotiation M12 A-code (4 pin) for Power Connection 		
Model Description / Model Tanım / 機種描述 / 机种描述	<ul style="list-style-type: none"> M12 Connector against vibration and shock Suitable for field wiring. Female Connector, 4 wire, Plug straight M12, A-coded, Push-in connection, tighten torque 1.5Nm, UL2238 Listed cable (UL CYJV Listed) 		
Weight / Ağırlık / 重量 / 重量	355g		

EN	TR	TW	CN							
Pin definition	Pin açıklama	接腳定義	接脚定义							
Ethernet (M12 D-code)										
1	TX+	2	RX+-	3	TX-	4	RX-	5	N/A	
Power Input (M12 A-code)										
1	V1-	2	V2-	3	V2+	4	V1+			

⚠ If the equipment is used in a manner not specified by the manufacturer, the protection provided by the equipment may be impaired.
This is the open type device shall be installed in appropriate enclosure or machinery.