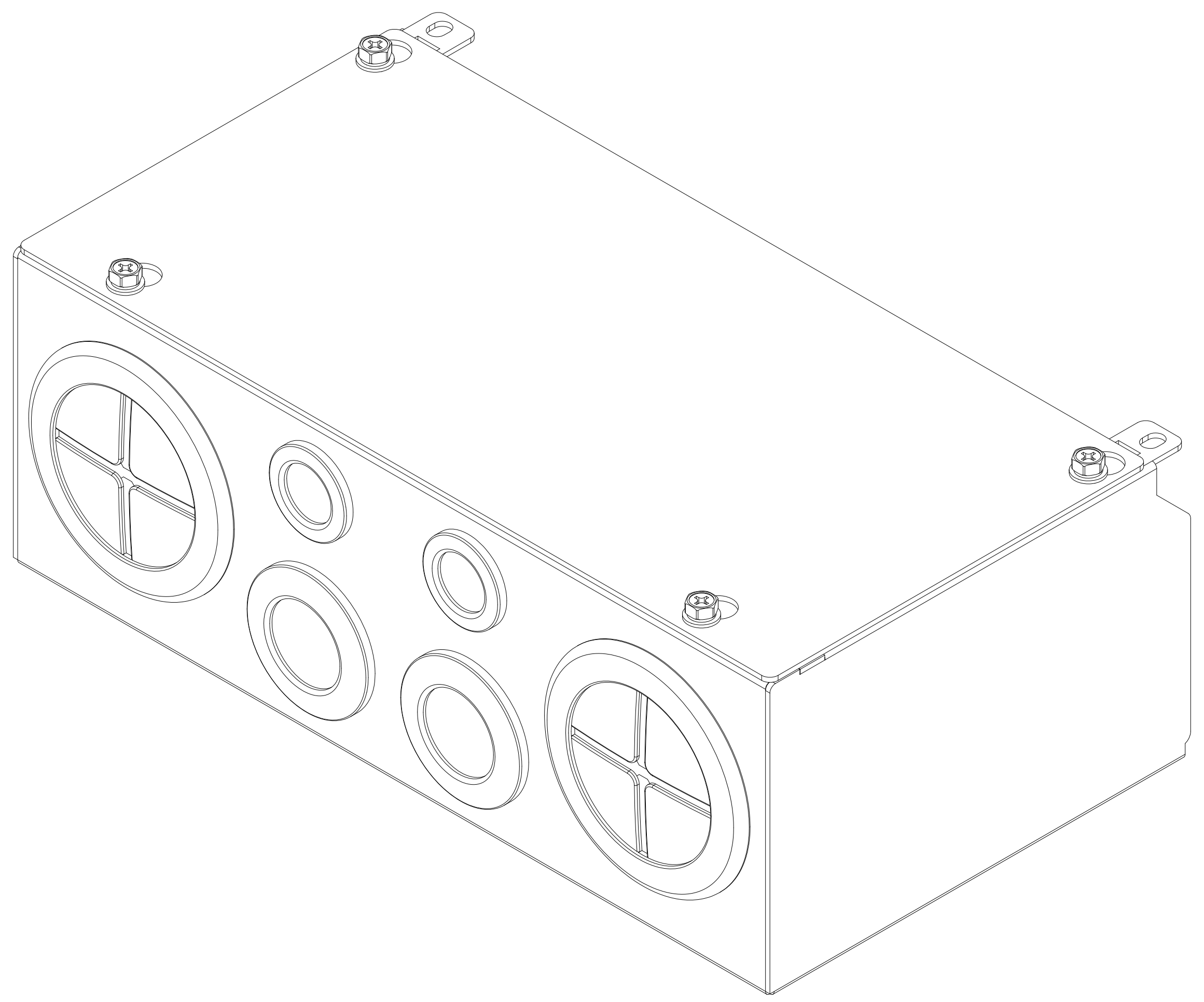
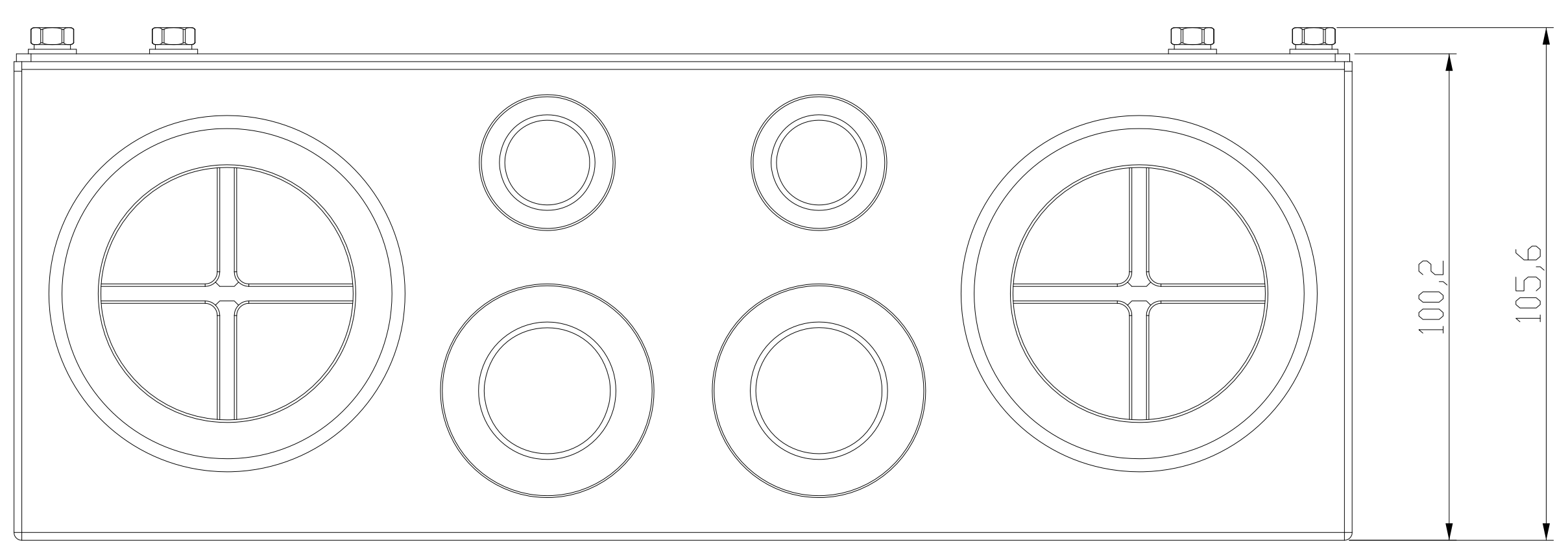
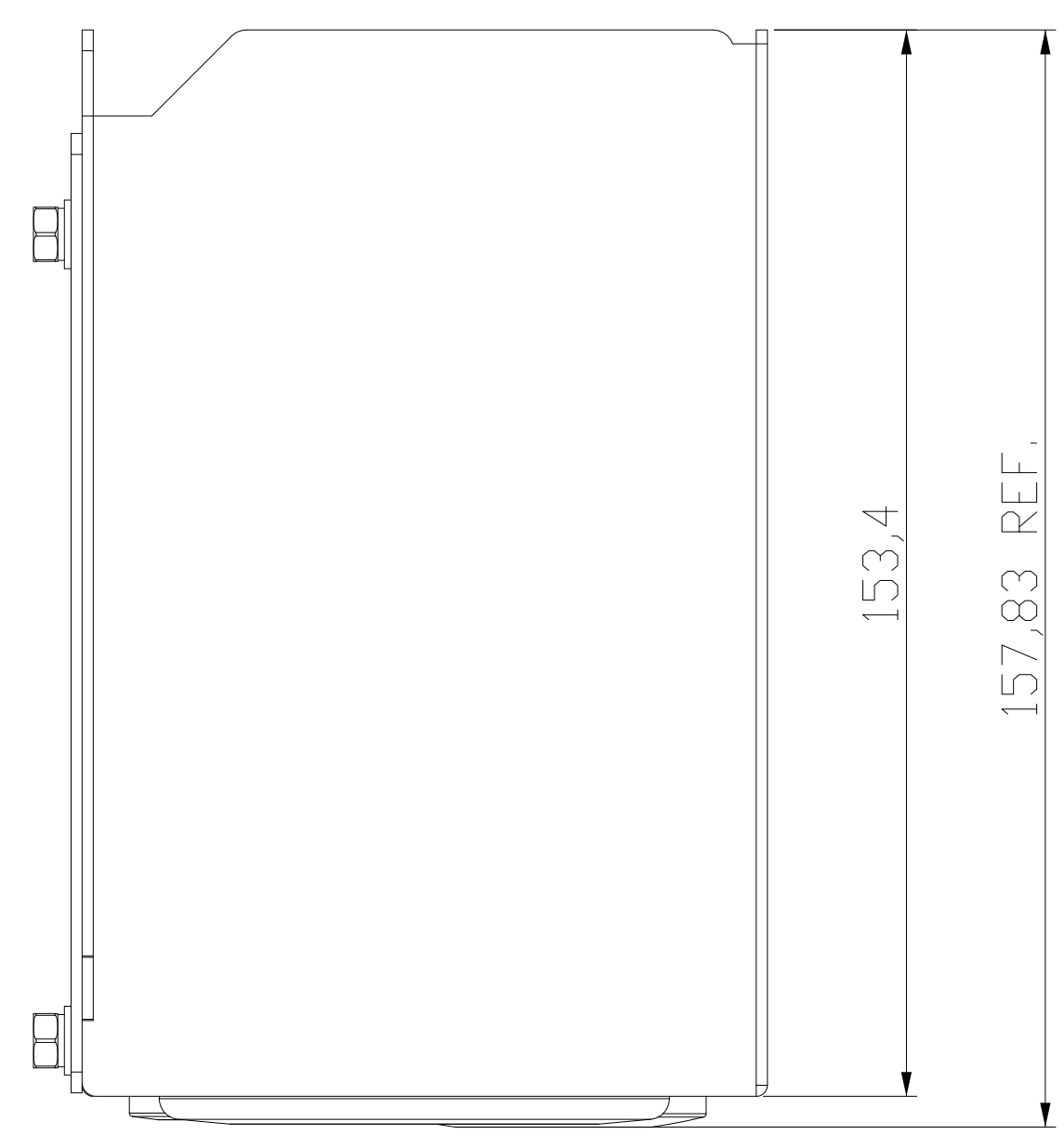
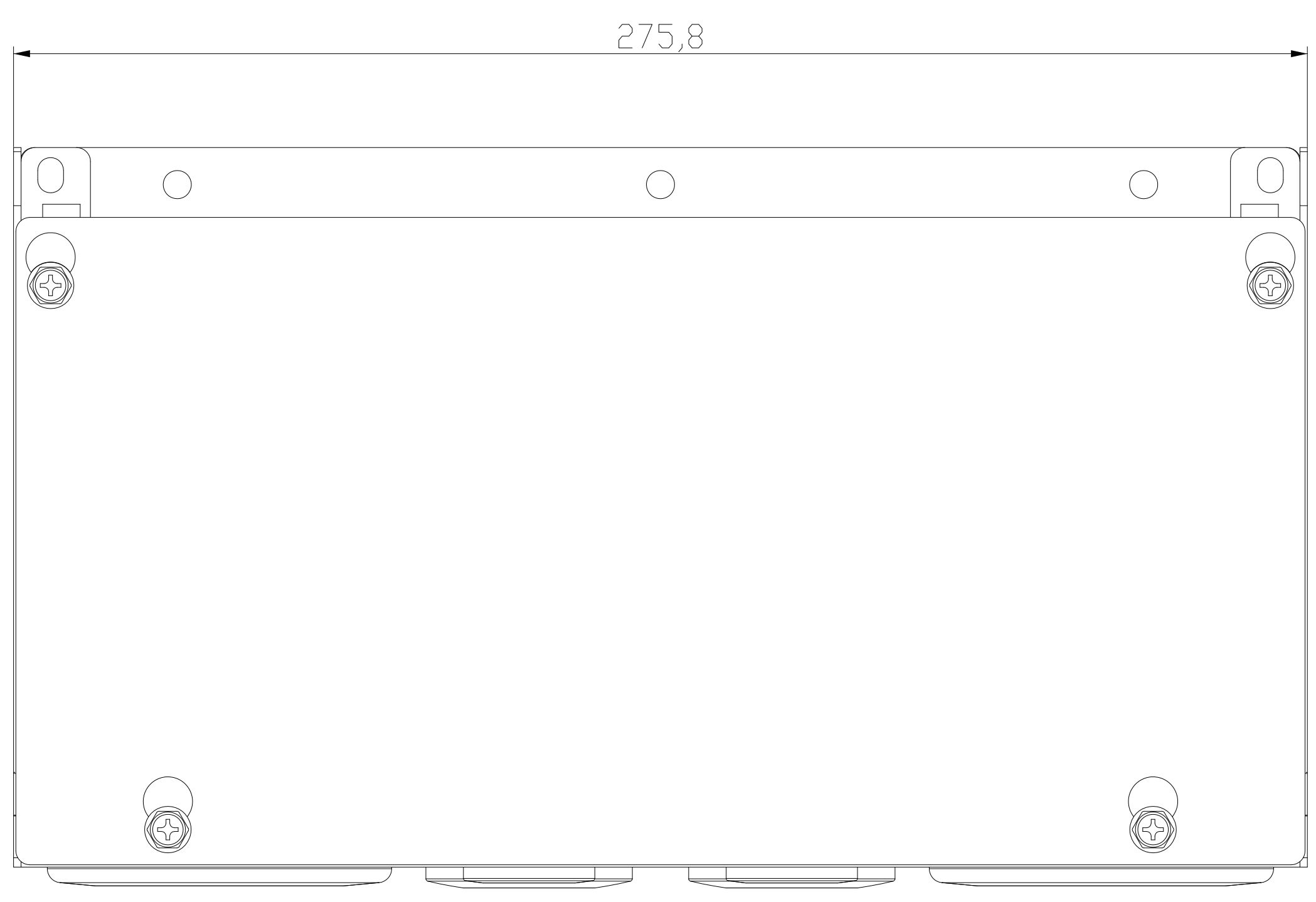


1 2 3 4 5 6 7 8 9 10 11

A
B
C
D
E
F
G
H
I
J

A
B
C
D
E
F
G
H
I
J



REV.	ECN NO.
00	-----

台達電子工業股份有限公司 DELTA ELECTRONICS, INC.		DRAWN: Todd.Yeh APPROVE: Vincent.Chen	DESIGN: Todd.Yeh DATE: 02/07/2013
THESE DRAWINGS AND SPECIFICATIONS ARE THE PROPERTY OF DELTA ELECTRONICS, INC. AND SHALL NOT BE REPRODUCED OR USED AS THE BASIS FOR THE MANUFACTURE OR SELL OF APPARATUSES OR DEVICES WITHOUT PERMISSION.			
DIMENSIONAL TOLERANCES (V) () () ANGLES DECIMALS <50 ±0.1 <50 ±0.15 <50 ±0.2 <30' ±0.1' X ±0.3 >50-100 ±0.15 >50-100 ±0.2 >50-100 ±0.25 >30'-60' ±0.3' X.X ±0.3 >100-200 ±0.2 >100-200 ±0.25 >100-200 ±0.3 >60'-90' ±0.5' X.XX ±0.3 >200- ±0.2% >200- ±0.25% >200- ±0.3%		PART NO.: MKC-D0N1CB REV. 00	
DESCRIPTION: MKC-D0N1CB-PD USED ON: VFD-C_FRAME-D0		SIZE: A1 UNIT: mm	SCALE: 1,000 SHEET 1 OF 1