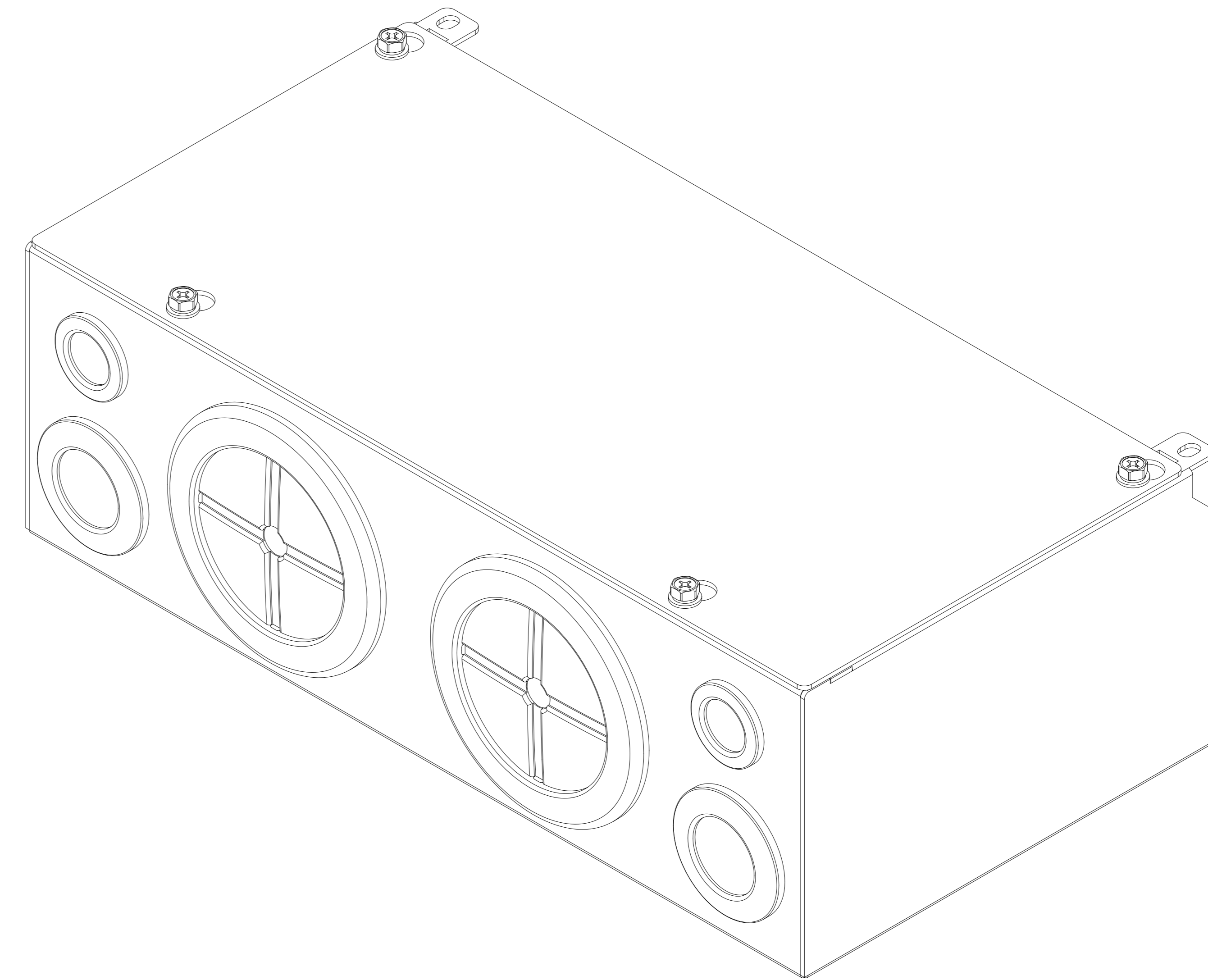
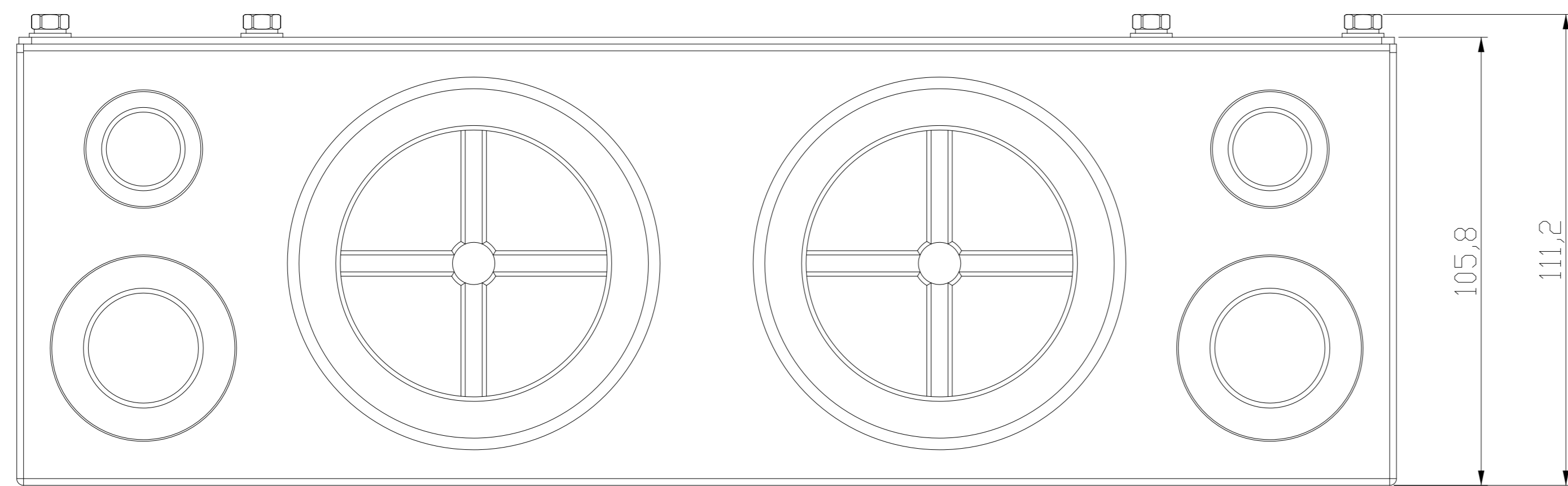
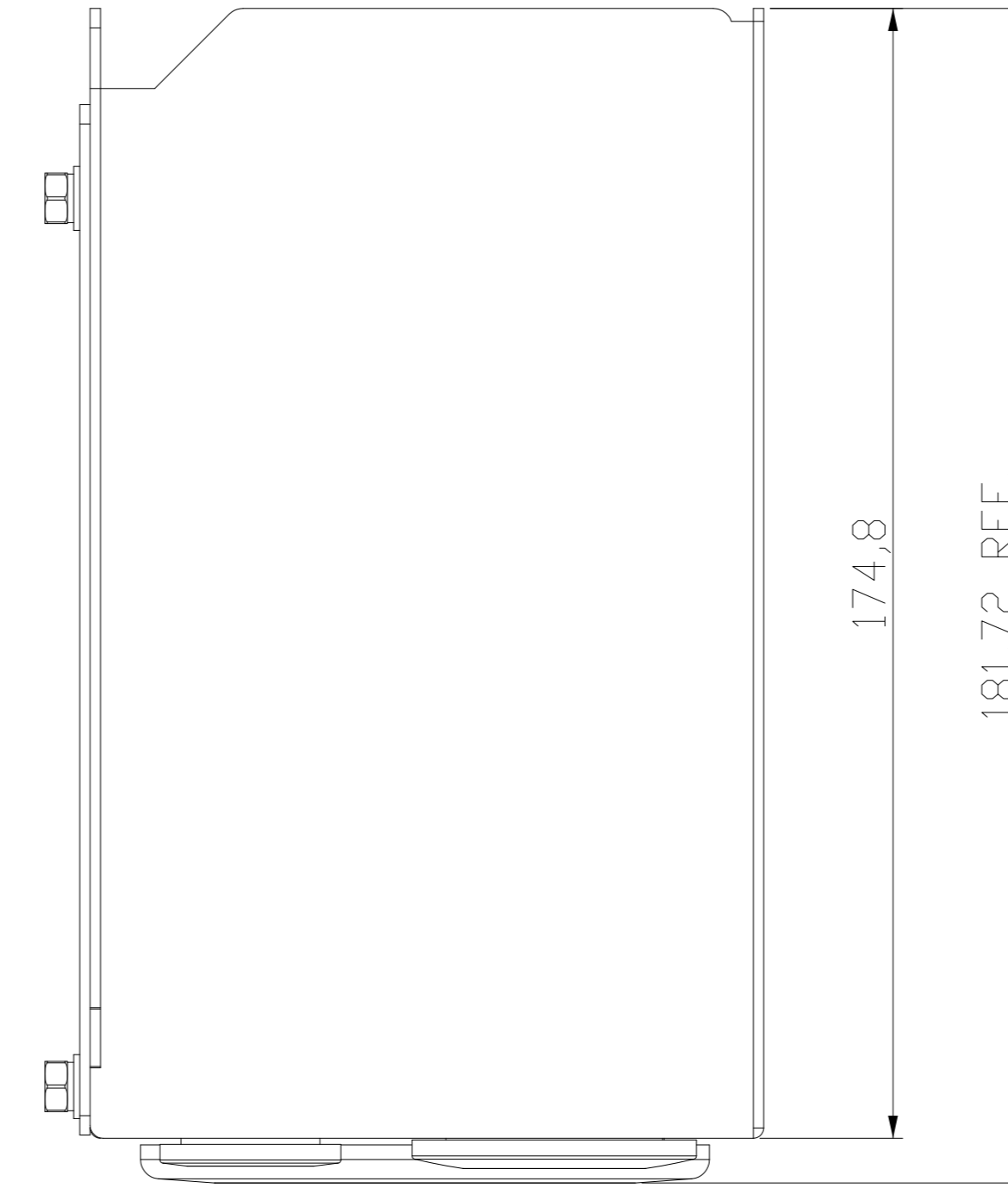
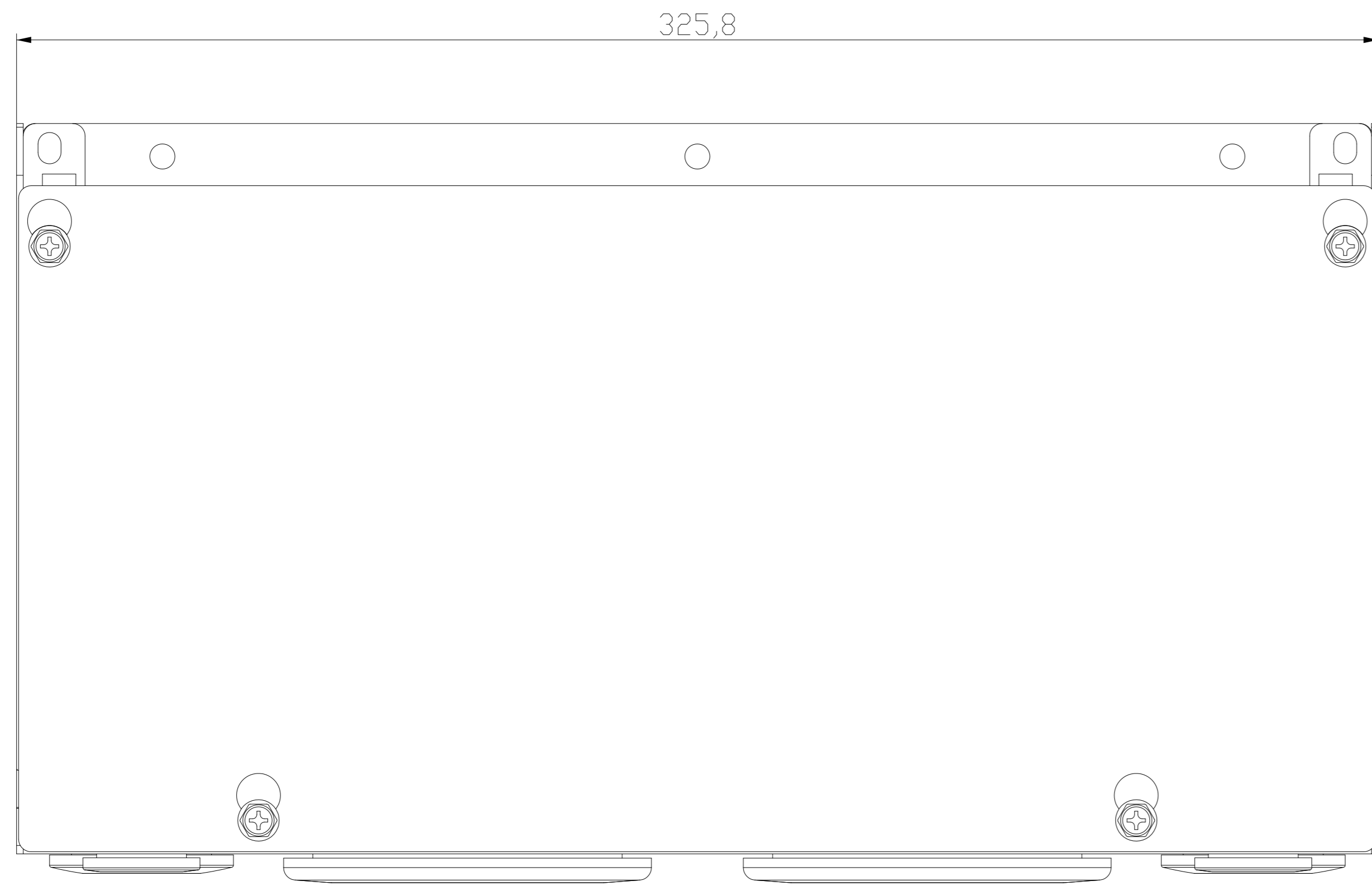


1 2 3 4 5 6 7 8 9 10 11 12 13 14

REV. 00 ECN NO. -----

A B C D E F G H I J K L



DELTA 台達電子工業股份有限公司 DELTA ELECTRONICS, INC.		DRAWN: Todd.Yeh	DESIGN: Todd.Yeh
APPROVE: Vincent.Chen		DATE.: 02/07/2013	
<small>THESE DRAWINGS AND SPECIFICATIONS ARE THE PROPERTY OF DELTA ELECTRONICS, INC. AND SHALL NOT BE REPRODUCED OR USED AS THE BASIS FOR THE MANUFACTURE OR SELL OF APPARATUS OR DEVICES WITHOUT PERMISSION.</small>		<small>DIMENSIONAL TOLERANCES (V) () () ANGLES</small> <small>DECIMALS <50 ±0.1 <50 ±0.15 <50 ±0.2 <30' ±0.1'</small> <small>X ±0.3 >50-100 ±0.15 >50-100 ±0.2 >50-100 ±0.25 >30'-60' ±0.3'</small> <small>X.X ±0.3 >100-200 ±0.2 >100-200 ±0.25 >100-200 ±0.3 >60'-90' ±0.5'</small> <small>X.XX ±0.3 >200 ±0.25 >200 ±0.25% >200 ±0.3%</small>	
<small>CONFIDENTIAL</small> DESCRIPTION: MKC-DN1CB-PD		PART NO.: MKC-D0N1CB	REV. 00
USED ON: VFD-C_FRAME-D	UNIT: mm	SCALE: 1,000	SHEET 1 OF 1

FRAME NAME: DF-AEADH-2R02.FRM 1 2 3 4 5 6 7 8 9 10 11 12 13 14