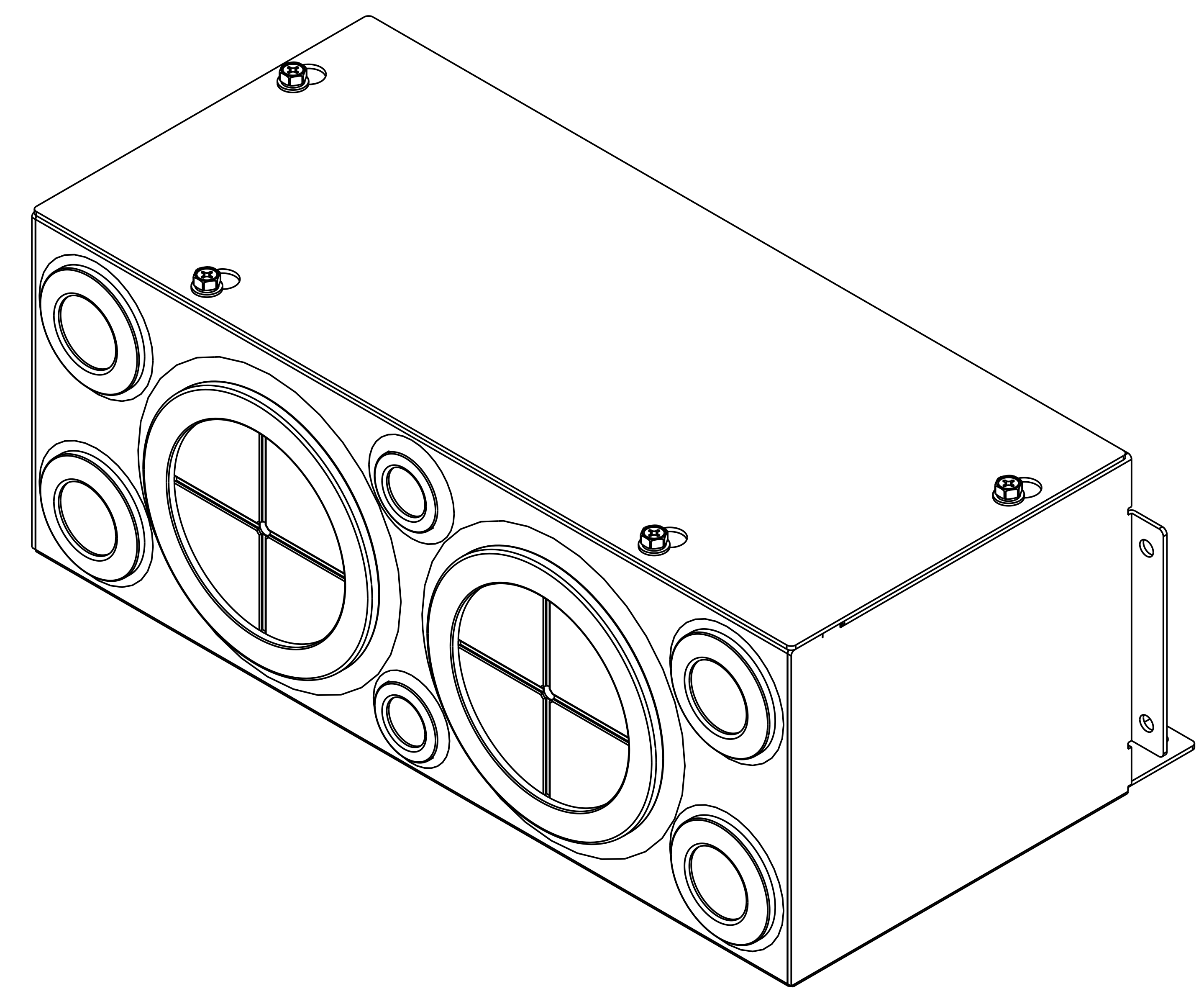
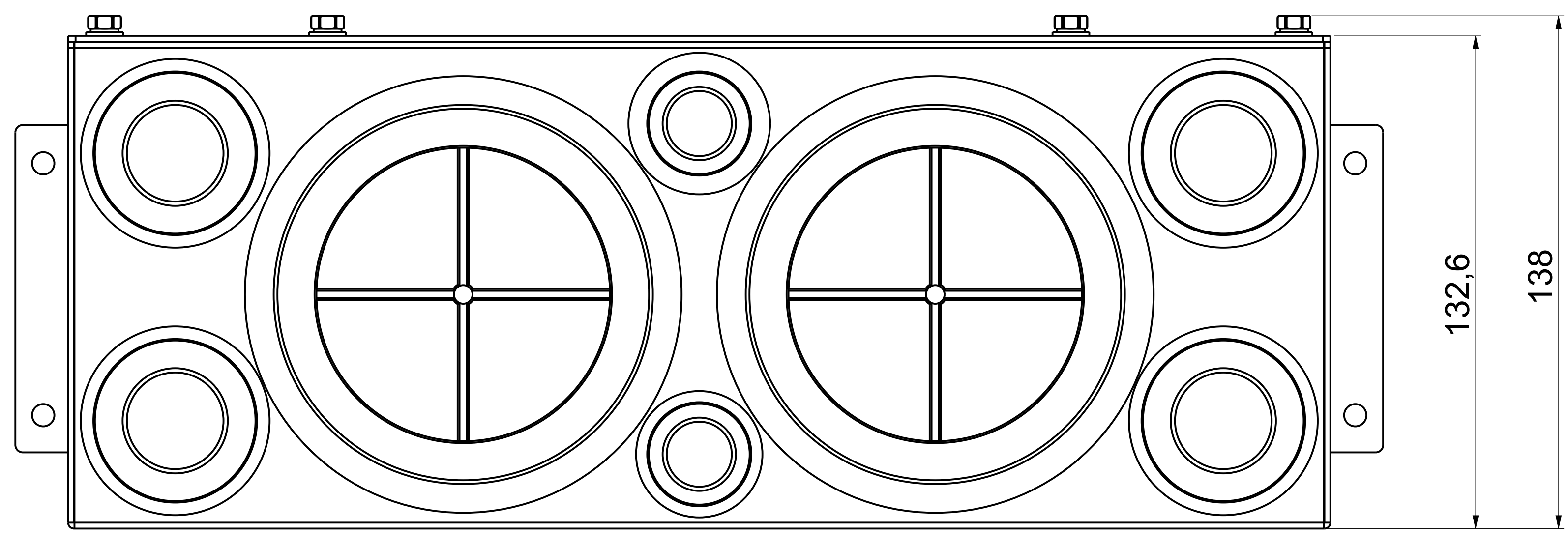
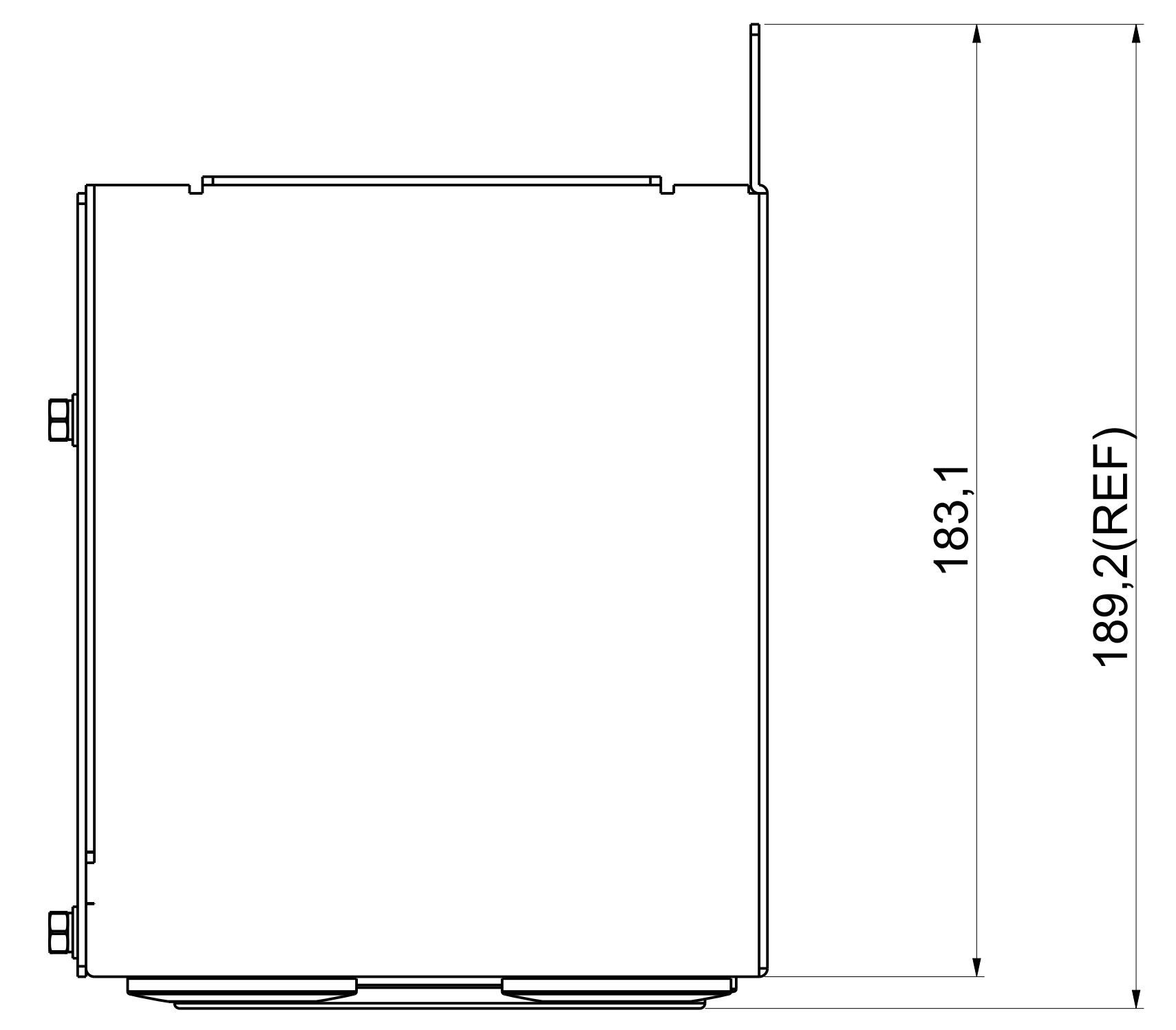
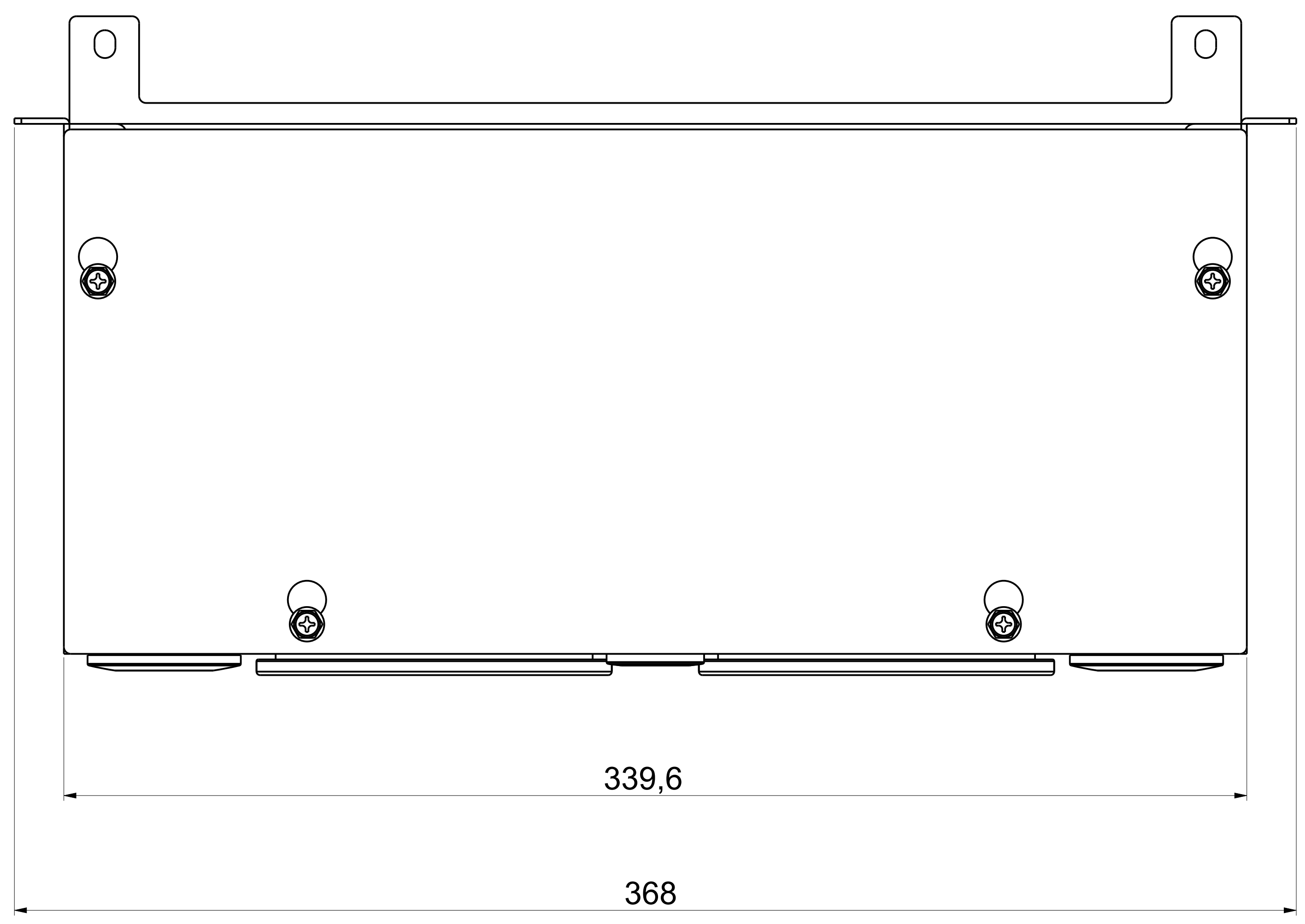


1 2 3 4 5 6 7 8 9 10 11 12 13 14

A  
B  
C  
D  
E  
F  
G  
H  
I  
J  
K  
L

REV.	ECN NO.
00	-----



<b>台達電子工業股份有限公司</b> <b>DELTA ELECTRONICS, INC.</b>		DRAWN: COLA.LIU	DESIGN: COLA.LIU
<small>THESE DRAWINGS AND SPECIFICATIONS ARE THE PROPERTY OF DELTA ELECTRONICS, INC. AND SHALL NOT BE REPRODUCED OR USED AS THE BASIS FOR THE MANUFACTURE OR SELL OF APPARATUS OR DEVICES WITHOUT PERMISSION.</small>		APPROVE: Vincent.Chen	DATE.: 02/07/2013
<small>DIMENSIONAL TOLERANCES (V) ( ) ( ) ( ) ANGLES</small> <small>DECIMALS &lt;math&gt;\leq 0&lt;/math&gt; <math>\pm 0.1</math> <math>\leq 0.1</math> <math>\pm 0.15</math> <math>\leq 0.15</math> <math>\pm 0.2</math> <math>\leq 0.2</math> <math>\pm 0.1</math></small> <small>X <math>\pm 0.3</math> <math>\pm 0.3</math> <math>\pm 0.15</math> <math>\pm 0.15</math> <math>\pm 0.2</math> <math>\pm 0.2</math> <math>\pm 0.1</math></small> <small>XX <math>\pm 0.2</math> <math>\pm 0.2</math> <math>\pm 0.2</math> <math>\pm 0.25</math> <math>\pm 0.25</math> <math>\pm 0.3</math> <math>\pm 0.1</math></small> <small>XXX <math>\pm 0.1</math> <math>\pm 0.1</math> <math>\pm 0.2</math> <math>\pm 0.25</math> <math>\pm 0.25</math> <math>\pm 0.3</math> <math>\pm 0.1</math></small>		<small>DESCRIPTION:</small> MKC-EN1CB-PD VFD-C_FRAME-E	
<small>THIRD ANGLE PROJECTION</small>		<small>PART NO.:</small> MKC-EN1CB	
<small>USED ON</small> VFD-C_FRAME-E	<small>UNIT</small> mm	<small>SCALE</small> 1,000	<small>SHEET 1 OF 1</small> 00

FRAME NAME: DF-MEACH-2003.FRM 1 2 3 4 5 6 7 8 9 10 11 12 13 14