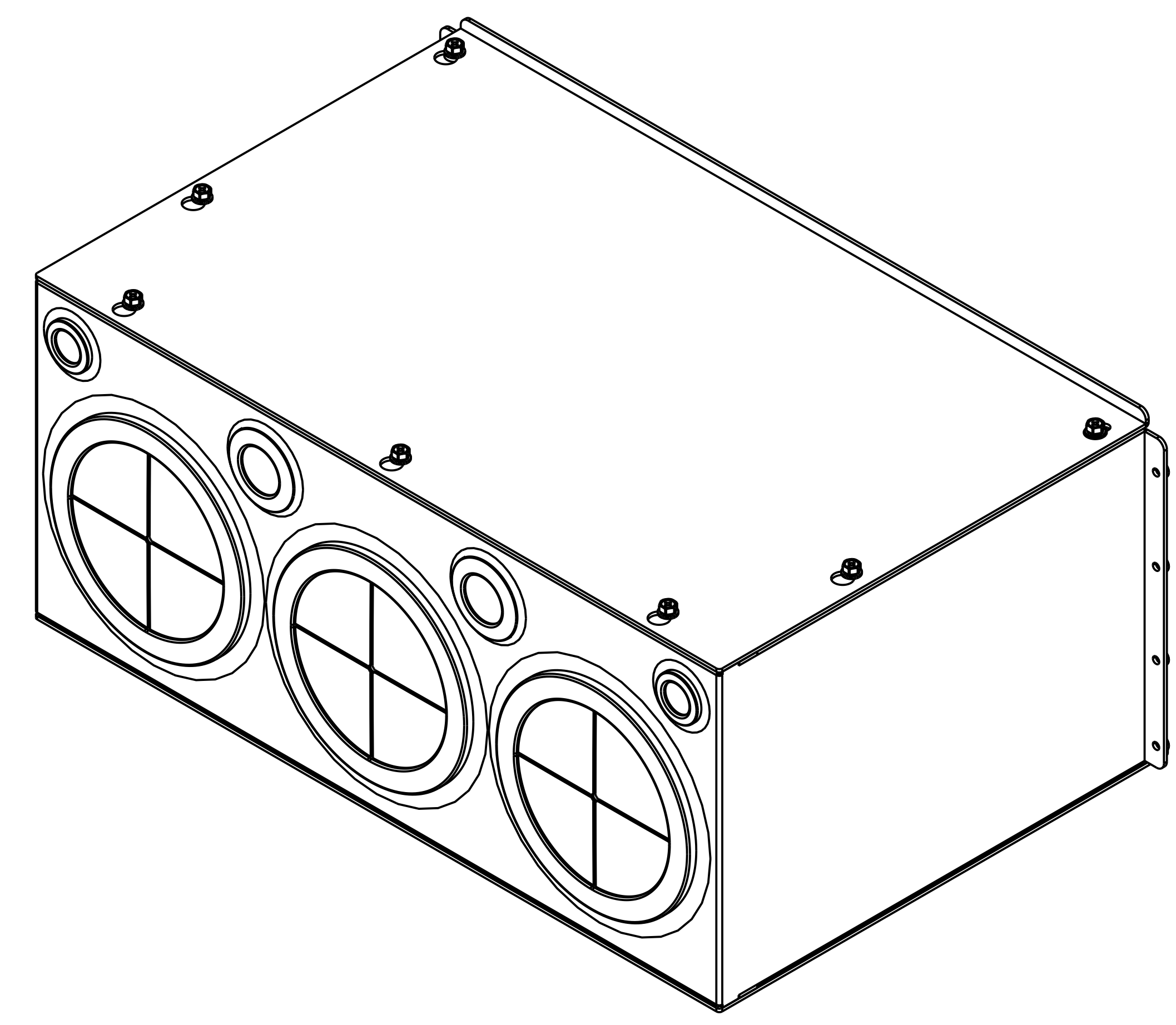
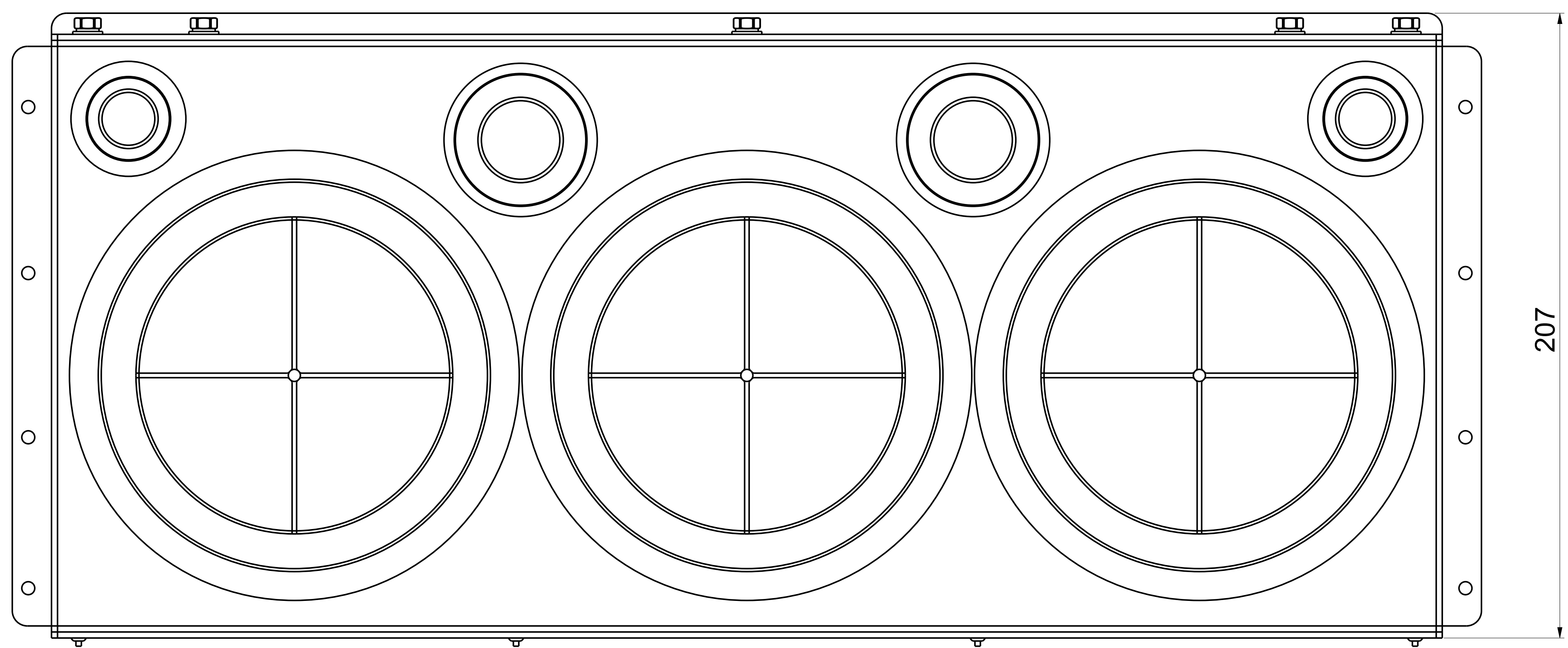
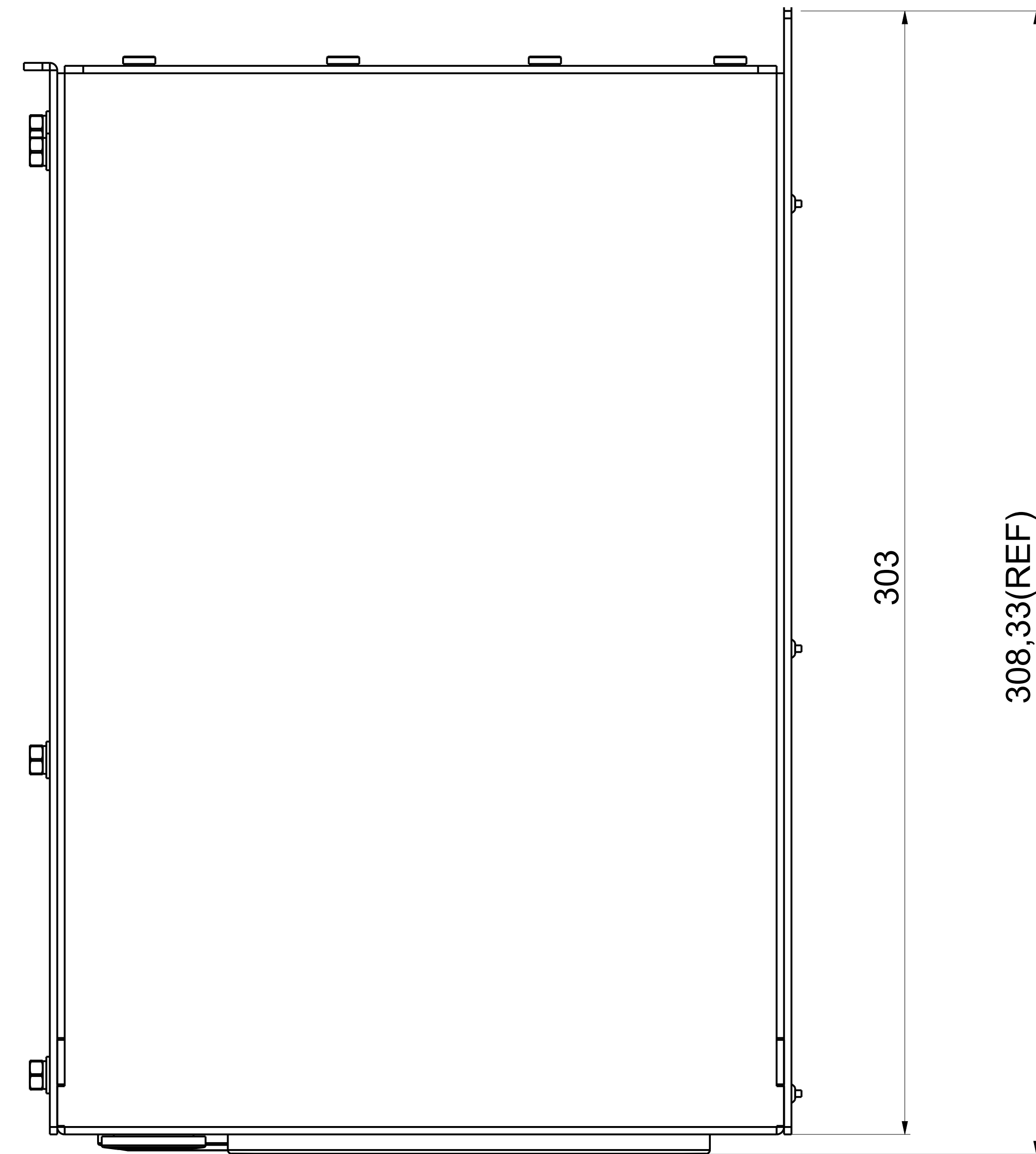
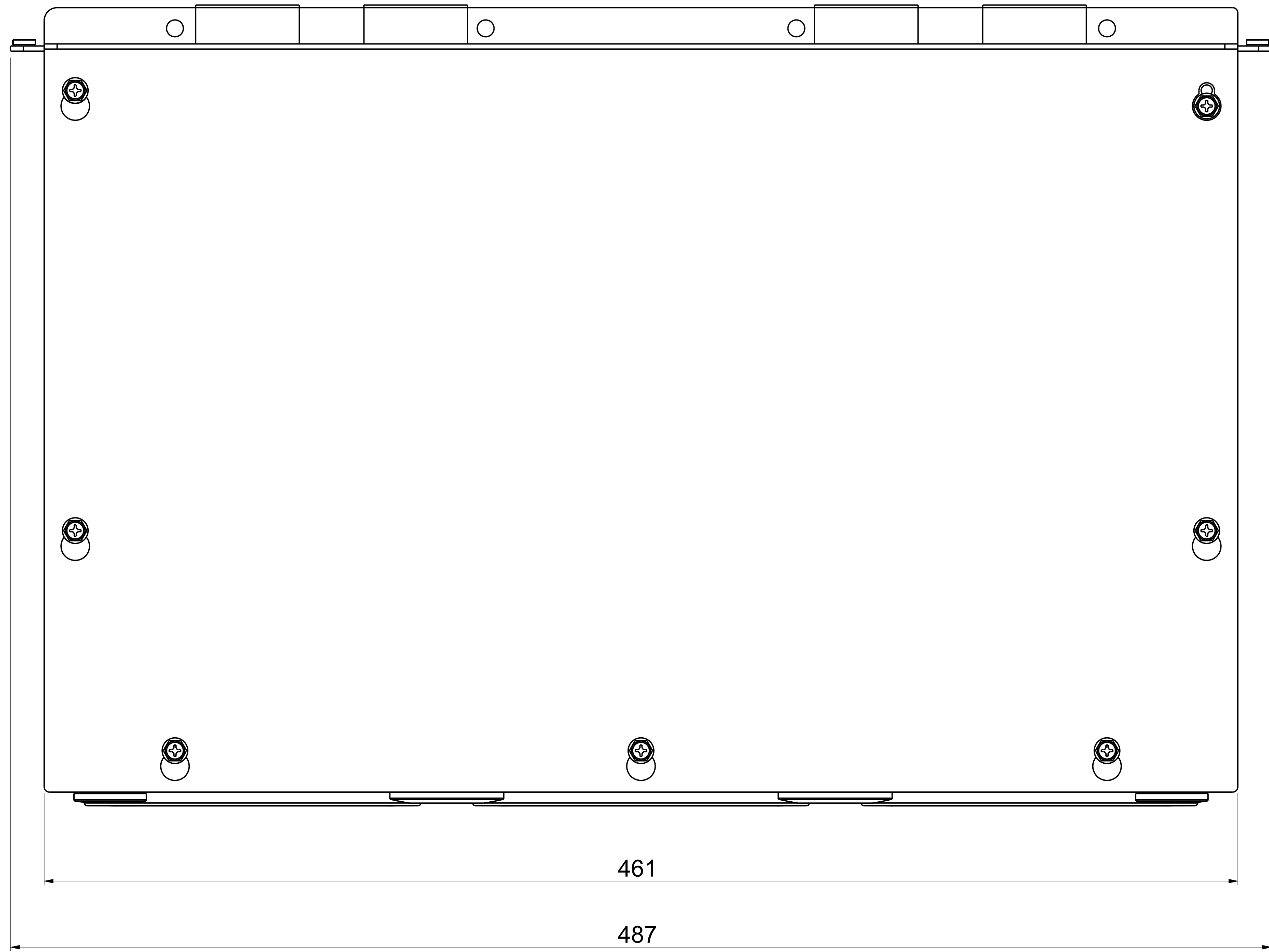


A
B
C
D
E
F
G
H
I
J
K
L

A
B
C
D
E
F
G
H
I
J
K
L



台灣電子工業股份有限公司 THESE DRAWINGS AND SPECIFICATIONS ARE THE PROPERTY OF DELTA ELECTRONICS, INC. AND SHALL NOT BE REPRODUCED OR USED AS THE BASIS FOR THE MANUFACTURE OR SELL OF APPARATUS OR DEVICES WITHOUT PERMISSION.		DRAWN: COLA.LIU APPROVE: Vincent.Chen	DESIGN: COLA.LIU DATE.: 02/07/2013
DIMENSIONAL TOLERANCES (V) () () () ANGLES DECIMALS ≤ 50 ± 0.1 ≤ 50 ± 0.15 ≤ 50 ± 0.2 $\leq 30^\circ$ $\pm 0.1^\circ$ X ± 0.3 $> 50-100$ ± 0.15 $> 50-100$ ± 0.2 $> 50-100$ ± 0.25 $> 30^\circ-60^\circ$ $\pm 0.1^\circ$ X.X ± 0.2 $> 100-200$ ± 0.2 $> 100-200$ ± 0.25 $> 100-200$ ± 0.3 $> 60^\circ-90^\circ$ $\pm 0.1^\circ$ XXX ± 0.1 $> 200^\circ$ $\pm 0.2\%$ $> 200^\circ$ $\pm 0.25\%$ $> 200^\circ$ $\pm 0.3\%$		PART NO.: MKC-GN1CB MKC-GN1CB-PD	REV. 00
USED ON: VFD-C_FRAME-D0	UNIT: mm SCALE: 1,000	SHEET 1 OF 1	14