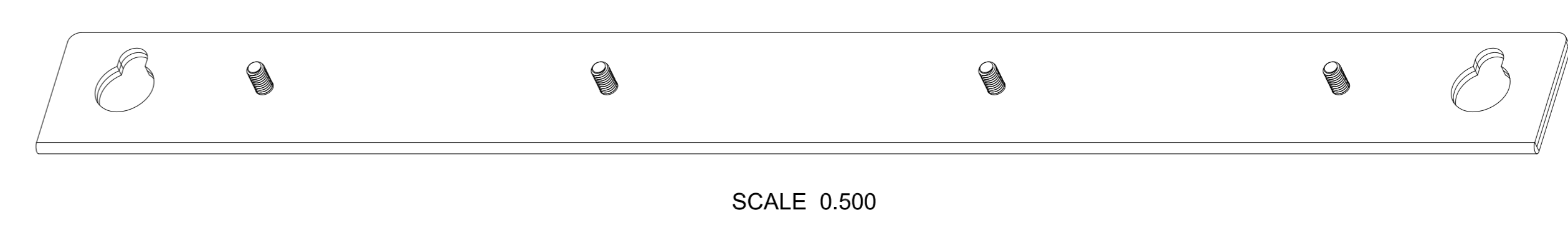
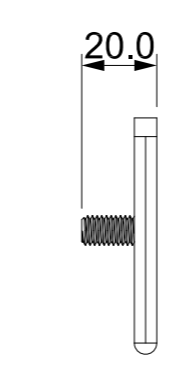
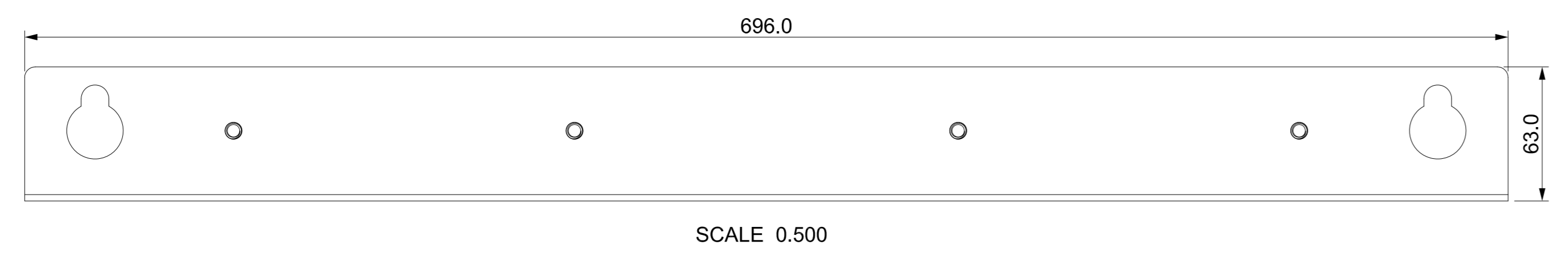


1 2 3 4 5 6 7 8 9 10 11 12 13 14

REV.	ECN NO.
00	-----

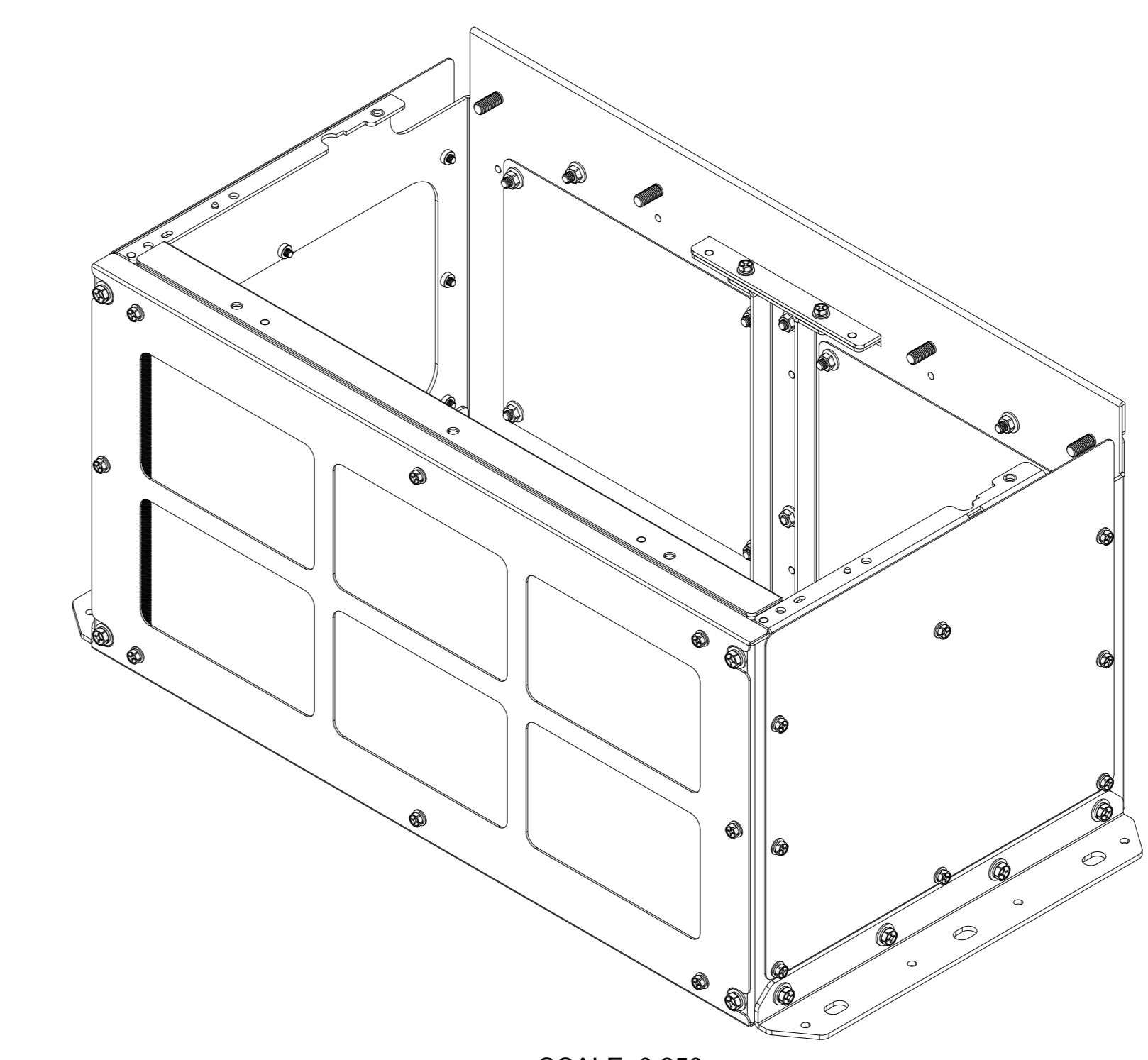
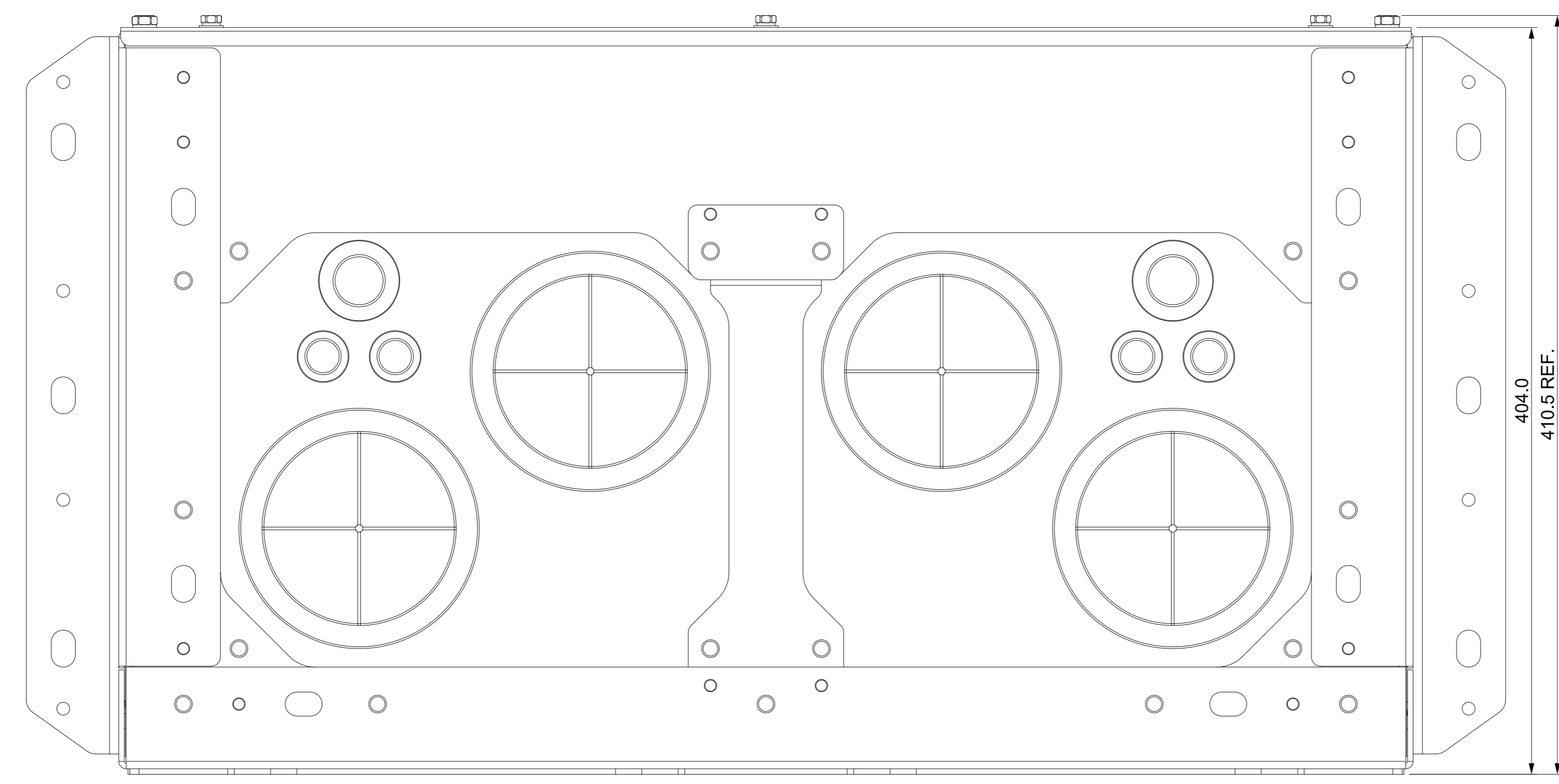
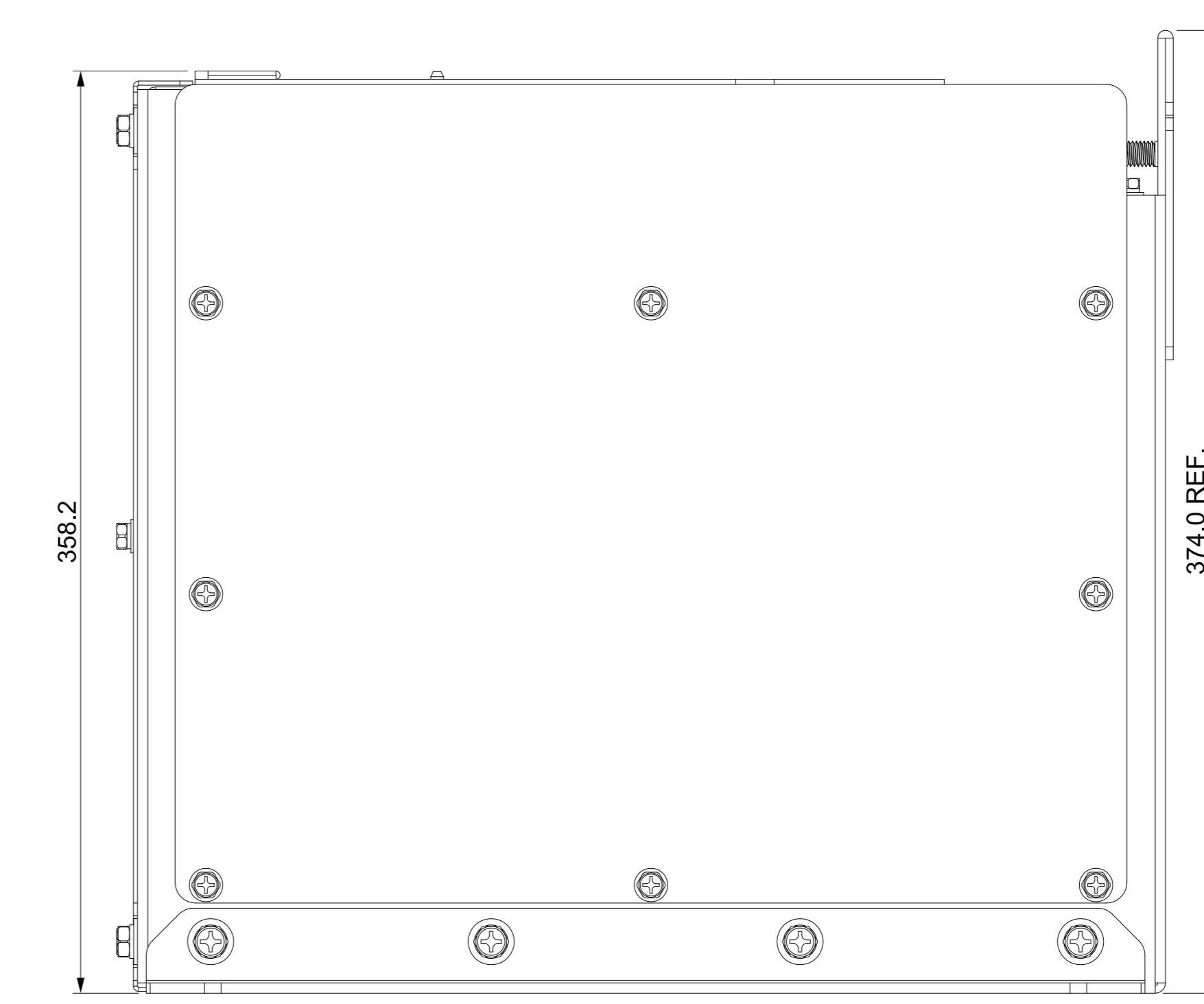


SCALE 0.500

SCALE 0.500



SCALE 0.500



SCALE 0.250

<b>台達電子工業股份有限公司</b> DELTA ELECTRONICS, INC.		DRAWN: Gh.Huang	DESIGN: Gh.Huang
THESE DRAWINGS AND SPECIFICATIONS ARE THE PROPERTY OF DELTA ELECTRONICS, INC. AND SHALL NOT BE REPRODUCED OR USED AS THE BASIS FOR THE MANUFACTURE OR SELL OF APPARATUS OR DEVICES WITHOUT PERMISSION.		APPROVE: Ching.Yang	DATE.: 01/17/2018
DIMENSIONAL TOLERANCES (V) ( ) ( ) ANGLES DECIMALS <50 ±0.1 <50 ±0.15 <50 ±0.2 <30 ±0.1 X ±1.0 >50-100 ±0.15 >50-100 ±0.2 >50-100 ±0.25 >30-60 ±0.3 XX ±1.0 >100-200 ±0.2 >100-200 ±0.25 >100-200 ±0.3 >60-90 ±0.5 XXX ±1.0 >200 ±0.25 >200 ±0.25% >200 ±0.3%		DESCRIPTION: MKC-HN1CB-PD USED ON: VFD-C_FRAME-H	
CONFIDENTIAL PART NO.: MKC-HN1CB		SIZE: A0 THIRD ANGLE PROJECTION	REV.: 00
UNIT: mm		SCALE: 0.500	SHEET 1 OF 1