

## Mitsubishi FX Series Computer Link

### HMI Factory Setting:

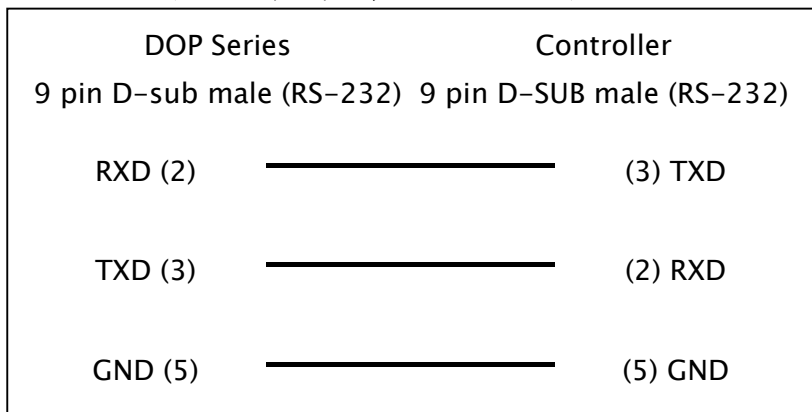
Baud rate: 9600, 7, Even, 1

Controller Station Number: 1

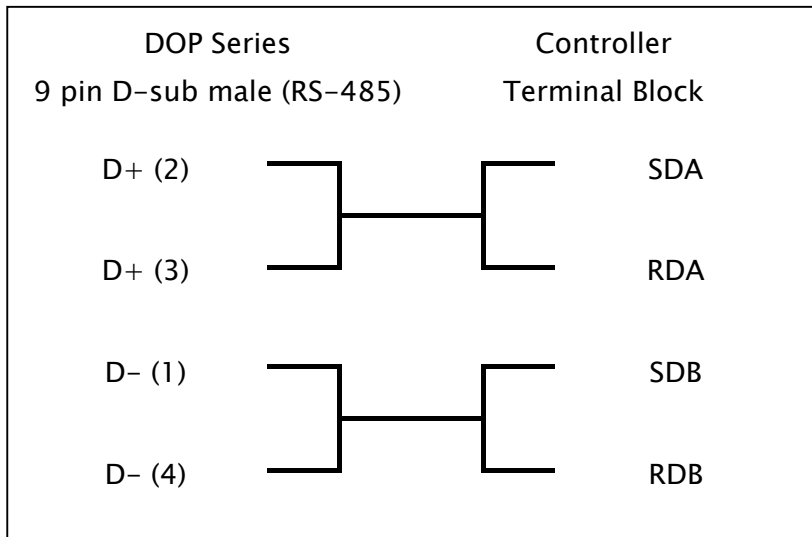
Control Area / Status Area: D0 / D10

### Connection

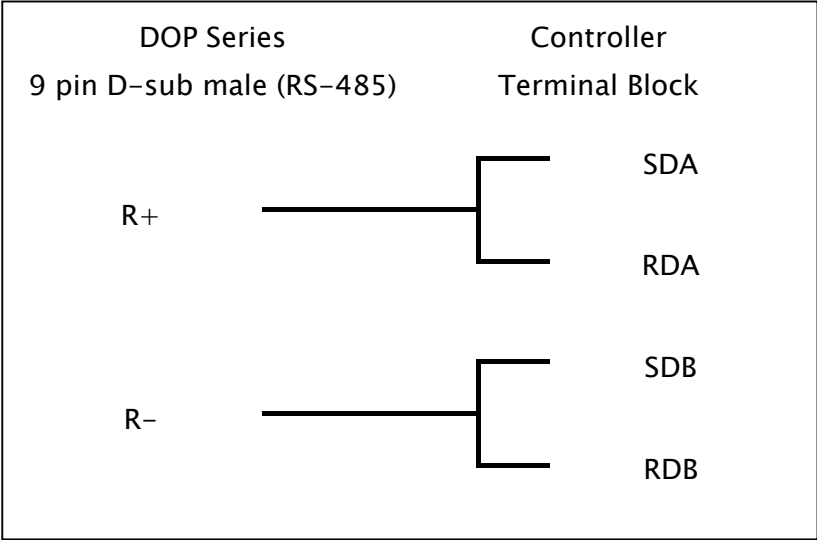
#### a. RS-232 (DOP-A/AE/AS, DOP-B Series)



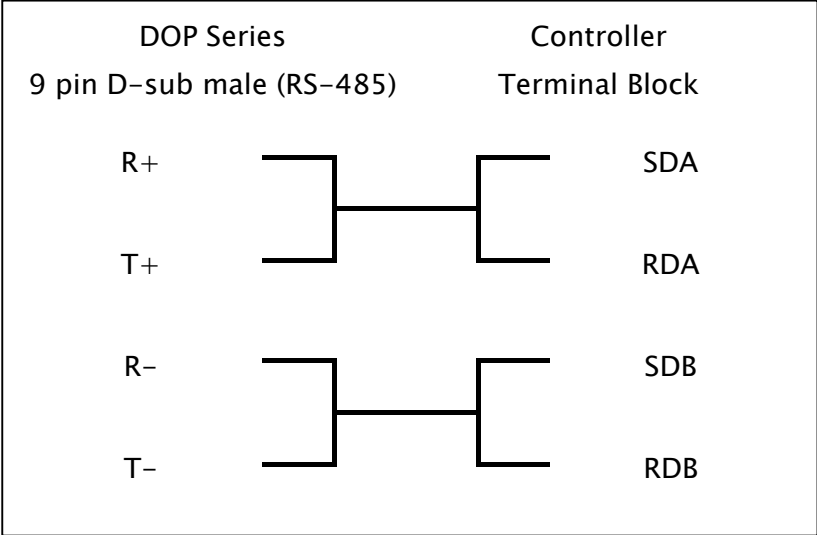
#### b. RS-485 (DOP-A/AE Series)



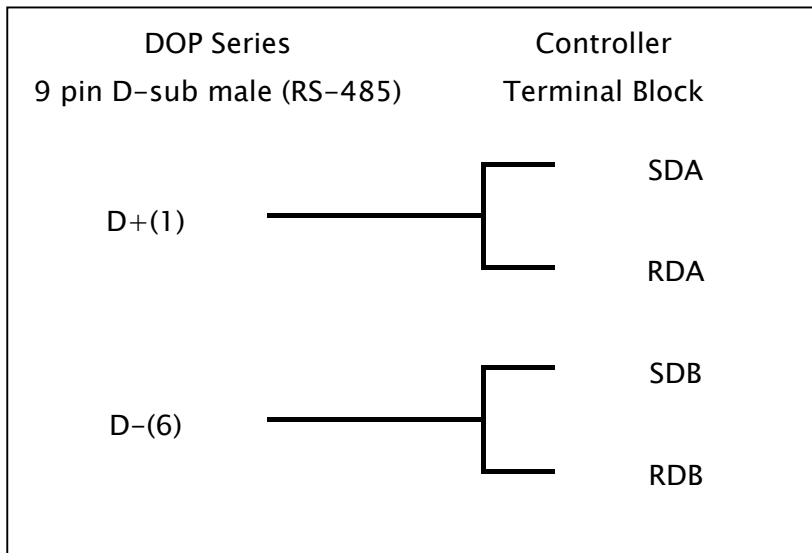
**c. RS-485 (DOP-AS57 Series)**



**d. RS-485 (DOP-AS35/AS38 Series)**



**e. RS-485 (DOP-B Series)**



**Definition of PLC Read/Write Address**

**a. Registers**

Type	Format	Read/Write Range	Data Length	Note
	Word No.(n)			
Auxiliary Relay	Mn	M0 - M7679	Word	<a href="#">2</a>
Special Auxiliary Relay	Mn	M8000 - M8511	Word	<a href="#">2</a>
Status Relay	Sn	S0 - S4095	Word	<a href="#">2</a>
Input Relay	Xn	X0 - X377	Word	Octal, <a href="#">2</a>
Output Relay	Yn	Y0 - Y377	Word	Octal, <a href="#">2</a>
Timer PV	Tn	T0 - T255	Word	
16-Bits Counter PV	Cn	C0 - C199	Word	
32-Bits Counter PV	Cn	C200 - C255	Double Word	
Data Register	Dn	D0 - D7999	Word	
Special Data Register	Dn	D8000 - D8511	Word	

**b. Contacts**

Type	Format	Read/Write Range	Note
	Bit No.(n)		
Auxiliary Relay	Mb	M0 - M7679	
Special Auxiliary Relay	Mb	M8000 - M8511	
Status Relay	Sb	S0 - S4095	
Input Relay	Xb	X0 - X377	Octal
Output Relay	Yb	Y0 - Y377	Octal
Timer Flag	Tb	T0 - T255	

Counter Flag	Cb	C0 - C255	
--------------	----	-----------	--

---

 **NOTE**

- 1) This communication protocol supports FX Series 485-BD/232-BD communication module.
- 2) The device address must be the multiple of 8.