

Mitsubishi FX5U

HMI Factory Setting:

Baud rate: 19200, 8, Odd, 1

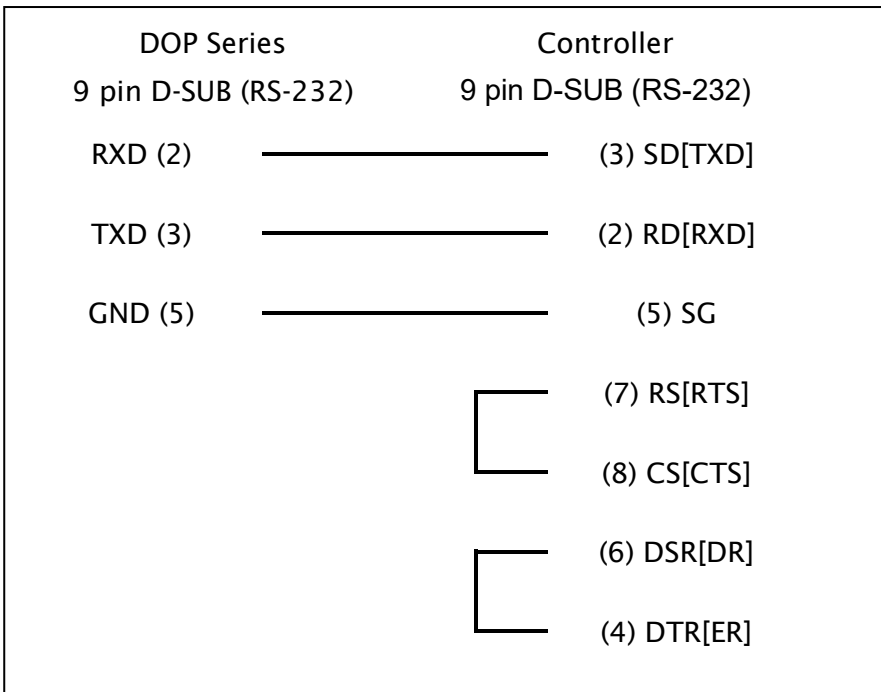
Controller Station Number: 0

Control Area / Status Area: D-0 / D-10

Applicable models: DOP-B / DOP-W / DOP-H / HMC series 、 DOP-100

Connection

a. RS-232



b. RS-422

DOP Series		Controller
9 pin D-SUB (RS-422)		QJ71C24N, CH2
RXD+ (4)	—————	(1) SDA
RXD- (9)	—————	(3) SDB
TXD+ (1)	—————	(5) RDA
TXD- (6)	—————	(7) RDB
GND (5)	—————	(2) SG

c. RS-485

DOP Series		Controller
9 pin D-SUB (RS-485)		QJ71C24N, CH2
TXD+ (1)	————— ┌─── │ (1) SDA └───	(5) RDA
TXD- (6)	————— ┌─── │ (3) SDB └───	(7) RDB
GND (5)	—————	(2) SG

Definition of PLC Read/Write Address

a. Registers

Type	Format	Read/Write Range	Data Length	Note
	Word No. (n)			
Input	X-n	X-0 - X-1777	Word	Octal, 2
Output	Y-n	Y-0 - Y-1777	Word	Octal, 2
Latch Relay	L-n	L-0 - L-32767	Word	2
Annunciator	F-n	F-0 - F-32767	Word	2

Type	Format	Read/Write Range	Data Length	Note
	Word No. (n)			
Step Relay	S-n	S-0 - S-8191	Word	2
Link Relay	B-n	B-0 - B-7FFF	Word	Hexadecimal, 2
Special Link Relay	SB-n	SB-0 - SB-7FF	Word	Hexadecimal, 2
Internal Relay	M-n	M-0 - M-32767	Word	2
Special Internal Relay	SM-n	SM-0 - SM-2047	Word	2
Timer Value	TN-n	TN-0 - TN-23087	Word	
Retentive Timer Value	SN-n	SN-0 - SN-23087	Word	
Counter Value	CN-n	CN-0 - CN-23087	Word	
Data Register	D-n	D-0 - D-45055	Word	
Special Data Register	SD-n	SD-0 - SD-2047	Word	
Index Register	Z-n	Z-0 - Z-19	Word	Hexadecimal
File Register	R-n	R-0 - R-32767	Word	Hexadecimal
Link Register	W-n	W-0 - W-657F	Word	
Special Link Register	SW-n	SW-0 - SW-7FF	Word	

b. Contacts

Type	Format	Read/Write Range	Note
	Word No. (n) Bit No. (b)		
Input	X-b	X-0 - X-1777	Octal
Output	Y-b	Y-0 - Y-1777	Octal
Latch Relay	L-b	L-0 - L-32767	
Annunciator	F-b	F-0 - F-32767	
Step Relay	S-b	S-0 - S-8191	
Link Relay	B-b	B-0 - B-7FFF	Hexadecimal
Special Link Relay	SB-b	SB-0 - SB-7FF	Hexadecimal
Internal Relay	M-b	M-0 - M-32767	
Special Internal Relay	SM-b	SM-0 - SM-2047	
Timer Contact	TS-b	TS-0 - TS-23087	
Timer Coil	TC-b	TC-0 - TC-23087	
Retentive Timer Contact	SS-b	SS-0 - SS-23087	
Retentive Timer Coil	SC-b	SC-0 - SC-23087	
Counter Contact	CS-b	CS-0 - CS-23087	
Counter Coil	CC-b	CC-0 - CC-23087	
Data Register	D-n.b	D-0.0 - D-45055.15	

Type	Format	Read/Write Range	Note
	Word No. (n) Bit No. (b)		
File Register	R- n.b	R-0.0 - R-32767.15	
Link Register	W-n.b	W-0.0 - W-1FFF.F	Hexadecimal



- 1) Before using this communication protocol, the user needs to set communication module via GX works programming tools. For more detailed information regarding the setting method, please refers to Mitsubishi PLC User Manual.
- 2) The device address must be the multiple of 16.
- 3) This controller can set Format Type on “DopSoft → Communication Setting → Com port → Extra”, default is “Type 4”.

