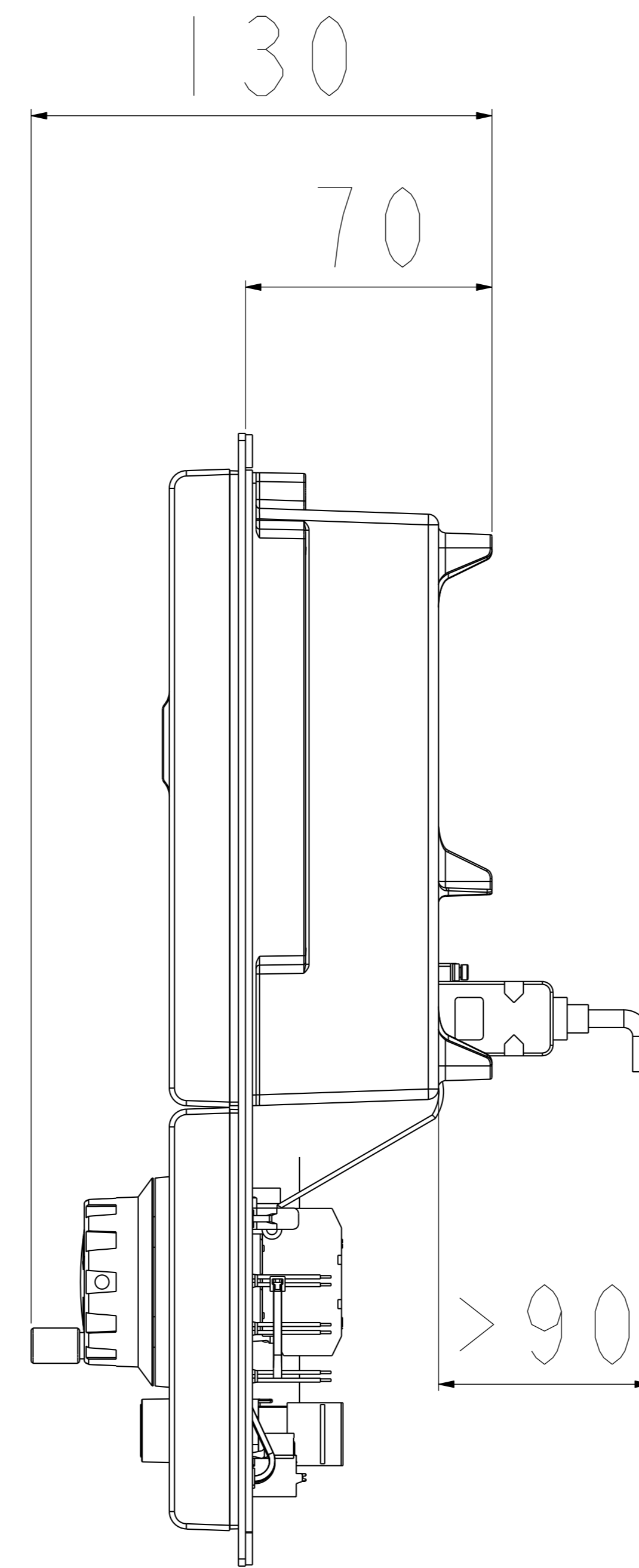
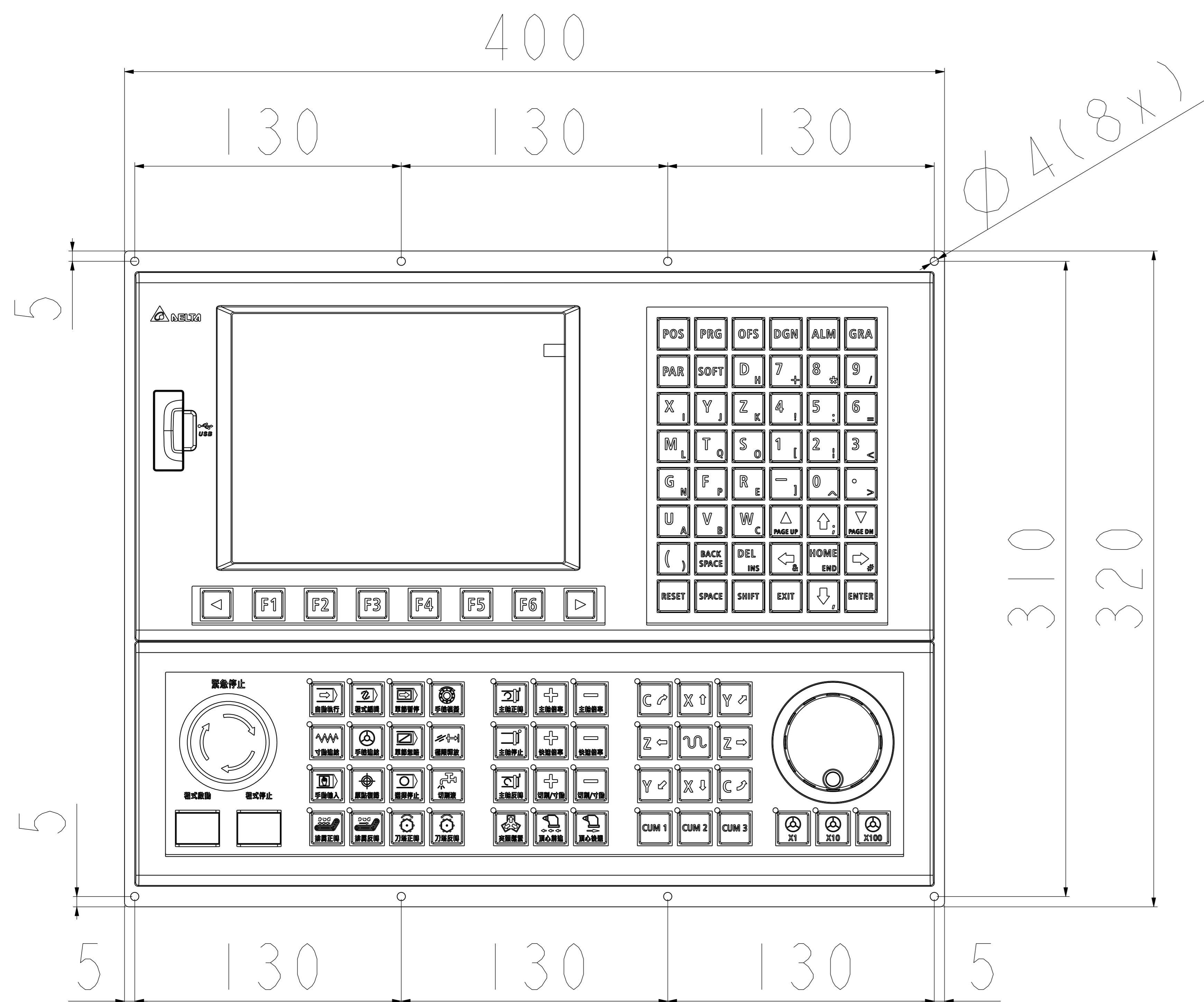


PHYSICAL DIMENSION  
 NC200P-LI-AX  
 Units : mm



Cut-outs and Mounting Dimensions

