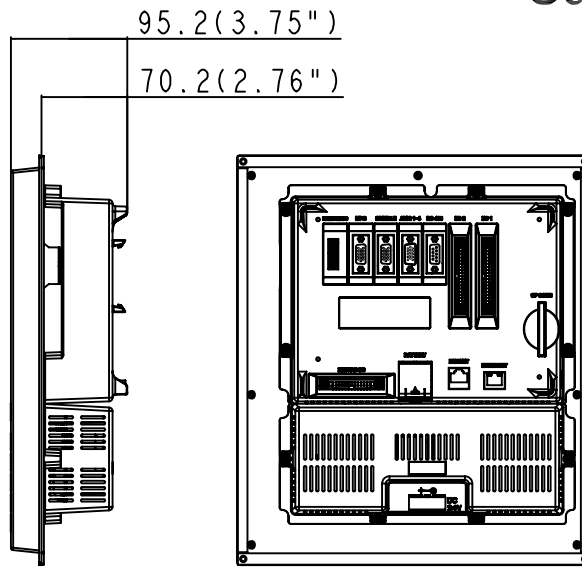


UNITS : mm (inch)



Cut-outs and Mounting Dimensions

