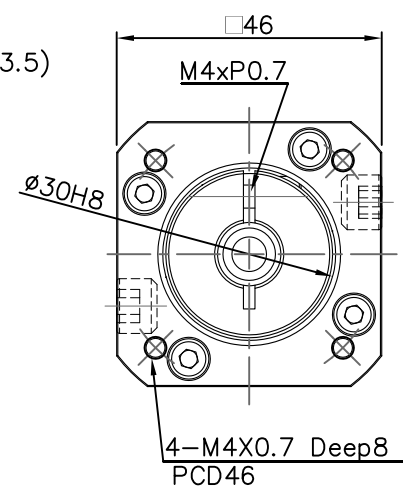
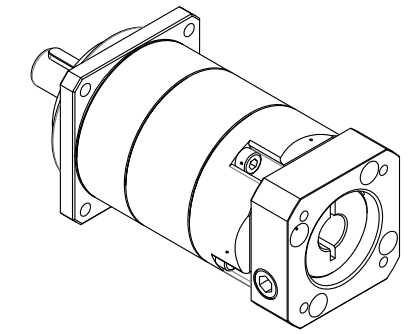
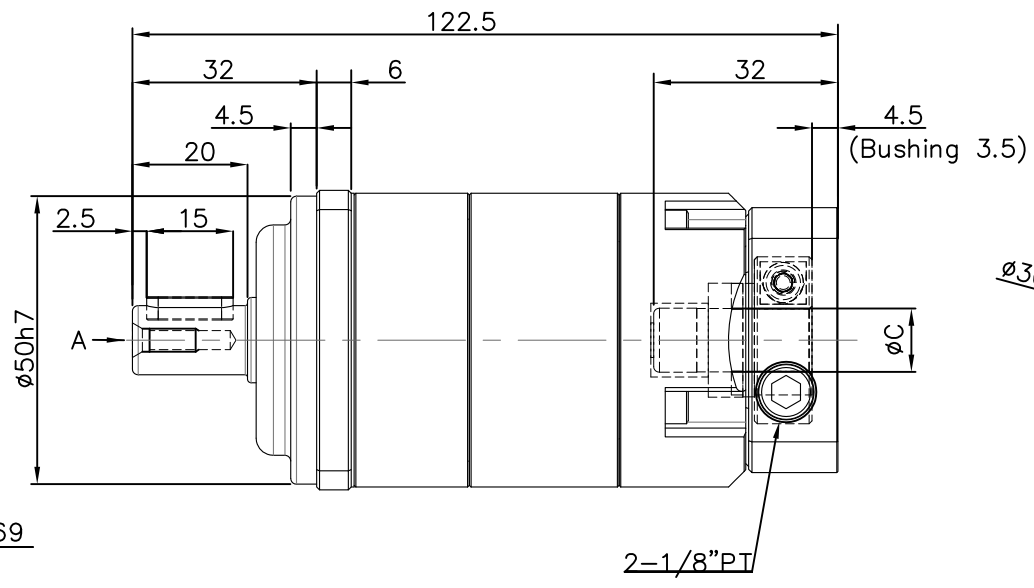
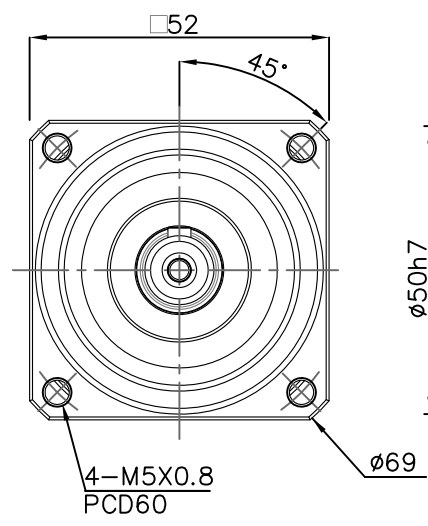


A VIEW



- NOTES.
1. Match Motor Flange:  $\phi 30$
  2. Output shaft have keyway, without keyway is optional.
  3. Bushing is supplied to input bore  $\phi 6, \phi 6.35, \phi 8, \phi 9, \phi 10, \phi 11$  or  $\phi 12$
  4.  $\phi C = \phi 11$  or  $\phi 14$

MODEL	段數 (Stage)	減速比 (Ratio)	背隙 (Arcmin)	匹配馬達出軸直徑&長度
PA050-A015CA0825	雙段	15	12	8 & 25
PA050-A020CA0825	雙段	20	12	8 & 25
PA050-A020CA0825	雙段	25	12	8 & 25
PA050-A030CA0825	雙段	30	12	8 & 25
PA050-A035CA0825	雙段	35	12	8 & 25
PA050-A040CA0825	雙段	40	12	8 & 25
PA050-A050CA0825	雙段	50	12	8 & 25
PA050-A070CA0825	雙段	70	12	8 & 25
PA050-A100CA0825	雙段	100	12	8 & 25

Ration Application	15~100
Power Application	100W ~ 400W

台達電子工業股份有限公司 DELTA ELECTRONICS, INC.		Drawn:	Design:
THESE DRAWINGS AND SPECIFICATIONS ARE THE PROPERTY OF DELTA ELECTRONICS, INC. AND SHALL NOT BE REPRODUCED OR USED AS THE BASIS FOR THE MANUFACTURE OR SELL OF APPARATUS OR DEVICES WITHOUT PERMISSION.		Description: <b>Planetary Gearhead Servo Box</b>	
DIMENSIONAL TOLERANCES ( ) HOLES : ±0.05 ANGLES : ±0.5° <30 : ±0.25 DECIMALS UP-100 : ±0.2 250-300 : ±0.4 UP-600 : ±1.5 >30-100 : ±0.35 X : ±0.3 100-150 : ±0.25 300-350 : ±0.45 600-900 : ±2.4 >100-300 : ±0.5 X,X : ±0.2 150-200 : ±0.3 350-400 : ±0.5 900-OVER : ±3.1 ABOVE 300 : ±0.8 X,XX : ±0.1 200-250 : ±0.35		Part No.	REV.
SCALE	UNIT mm	USED ON Planetary Gearhead	SHEET OF ISSUE DATE:
A3 SIZE		X0	