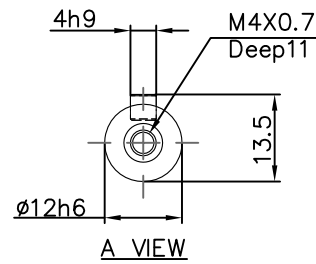


1

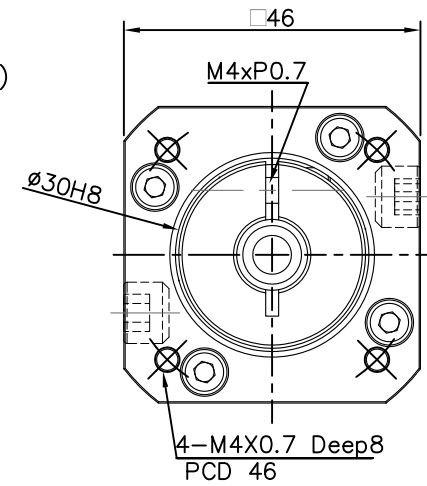
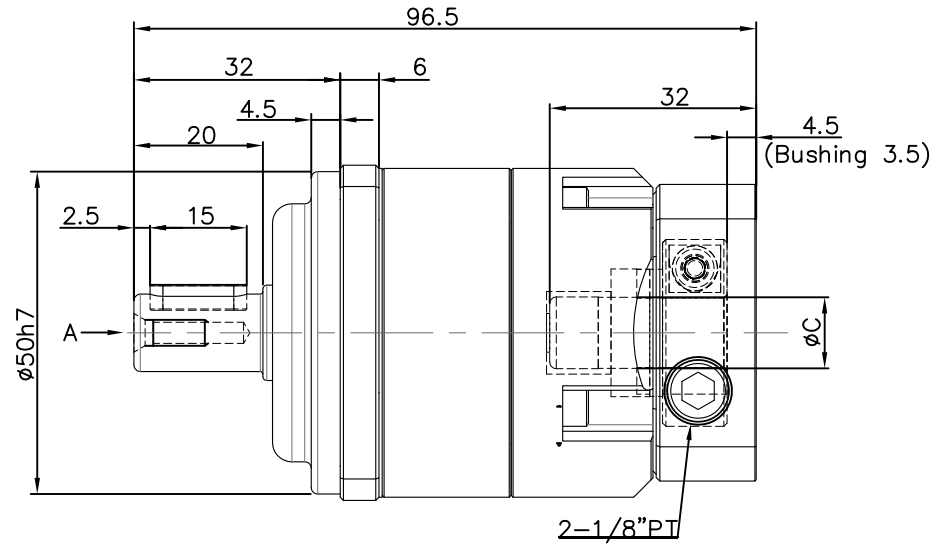
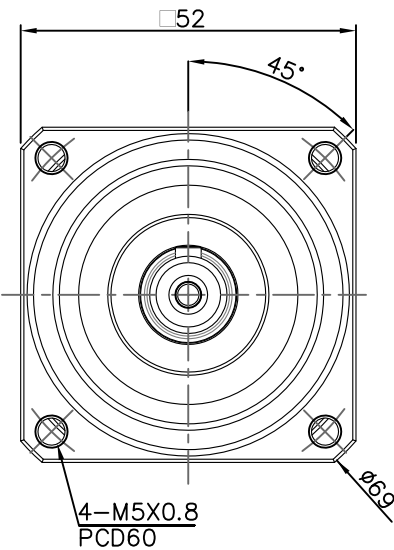
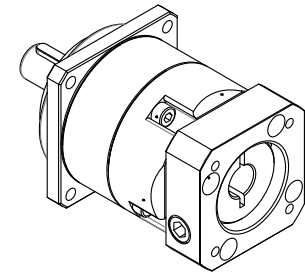
2

3

4



A VIEW



NOTES.

- 1. Match Motor Flange: $\phi 30$
- 2. Output shaft have keyway, without keyway is optional.
- 3. Bushing is supplied to input bore $\phi 6, \phi 6.35, \phi 8, \phi 9, \phi 10, \phi 11$ or $\phi 12$.
- 4. $\phi C = \phi 11$ or $\phi 14$

MODEL	段數 (Stage)	減速比 (Ratio)	背隙 (Arcmin)	匹配馬達出軸直徑&長度
PA050-C0038A0825	單段	3	8	8 & 25
PA050-C0048A0825	單段	4	8	8 & 25
PA050-C0058A0825	單段	5	8	8 & 25
PA050-C0078A0825	單段	7	8	8 & 25
PA050-C0108A0825	單段	10	8	8 & 25

Ration Application	3,4,5,7,10
Power Application	100W ~ 200W

台達電子工業股份有限公司 DELTA ELECTRONICS, INC.		Drawn:	Design:
THESE DRAWINGS AND SPECIFICATIONS ARE THE PROPERTY OF DELTA ELECTRONICS, INC. AND SHALL NOT BE REPRODUCED OR USED AS THE BASIS FOR THE MANUFACTURE OR SELL OF APPARATUS OR DEVICES WITHOUT PERMISSION.		Description: Planetary Gearhead Servo Box	
DIMENSIONAL TOLERANCES () HOLES : ± 0.05 ANGLES : $\pm 0.5^\circ$ <30 : ± 0.25 DECIMALS UP-100 : ± 0.2 250-300 : ± 0.4 UP-600 : ± 1.5 >30-100 : ± 0.35 X : ± 0.3 100-150 : ± 0.25 300-350 : ± 0.45 600-900 : ± 2.4 >100-300 : ± 0.5 X,X : ± 0.2 150-200 : ± 0.3 350-400 : ± 0.5 900-OVER : ± 3.1 ABOVE 300 : ± 0.8 X,XX : ± 0.1 200-250 : ± 0.35		Part No.	REV.
SCALE UNIT mm USED ON Planetary Gearhead		A3 SIZE	X0
SHEET		OF	ISSUE DATE:

1

2

3

4