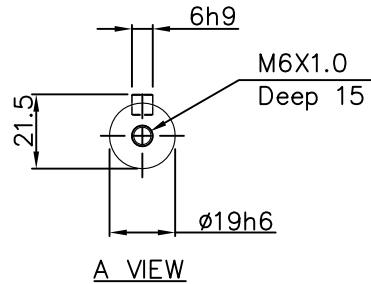


1

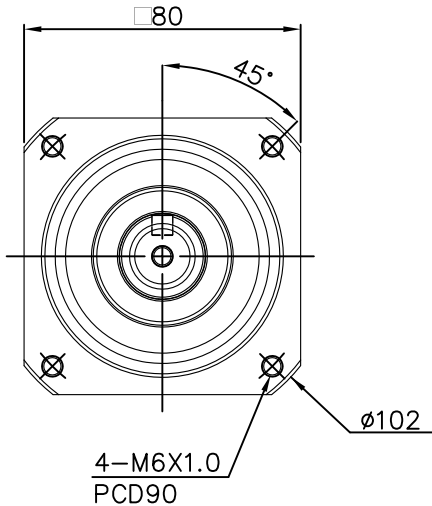
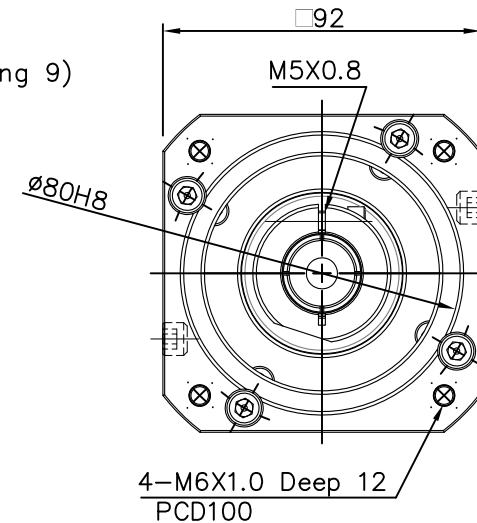
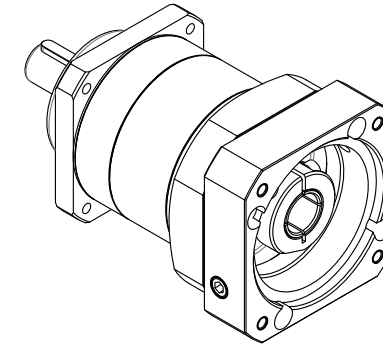
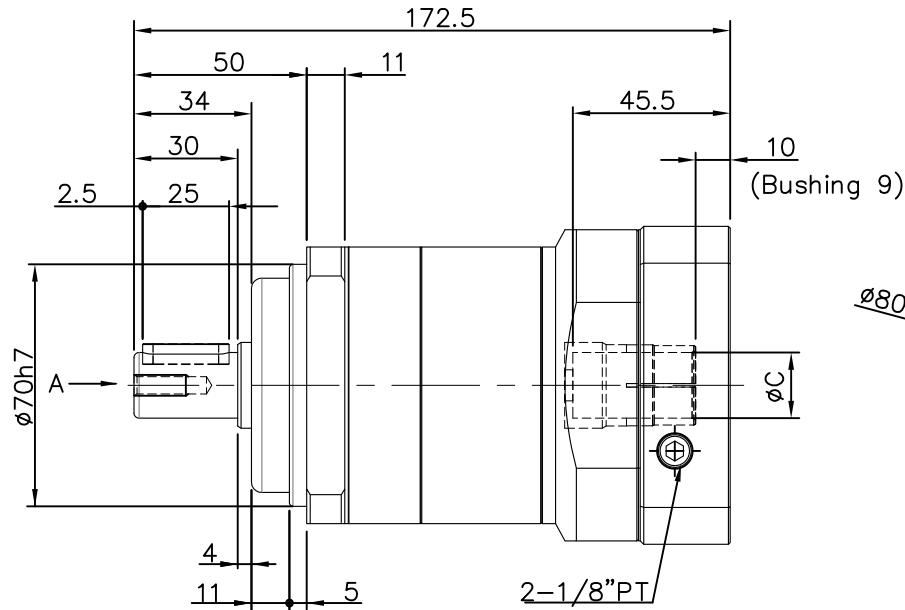
2

3

4



A VIEW

4-M6X1.0
PCD90

NOTES.

1. Match Motor Flange: $\phi 80$
2. Output shaft have keyway, without keyway is optional.
3. Bushing is supplied to input bore $\phi 6, \phi 6.35, \phi 8, \phi 9, \phi 10, \phi 11, \phi 12, \phi 12.7, \phi 14, \text{ or } \phi 16$.
4. $\phi C = \phi 14 \text{ or } \phi 19$.

MODEL	段數 (Stage)	減速比 (Ratio)	背隙 (Arcmin)	匹配馬達出軸直徑&長度
PA080-A015CC1935	雙段	15	12	19 & 35
PA080-A020CC1935	雙段	20	12	19 & 35
PA080-A020CC1935	雙段	20	12	19 & 35
PA080-A030CC1935	雙段	30	12	19 & 35
PA080-A035CC1935	雙段	35	12	19 & 35
PA080-A040CC1935	雙段	40	12	19 & 35
PA080-A050CC1935	雙段	50	12	19 & 35
PA080-A070CC1935	雙段	70	12	19 & 35
PA080-A100CC1935	雙段	100	12	19 & 35

Ration Application	15~100
Power Application	400W ~ 1.5KW

台達電子工業股份有限公司 DELTA ELECTRONICS, INC.		Drawn:	Design:
THESE DRAWINGS AND SPECIFICATIONS ARE THE PROPERTY OF DELTA ELECTRONICS, INC. AND SHALL NOT BE REPRODUCED OR USED AS THE BASIS FOR THE MANUFACTURE OR SELL OF APPARATUSSES OR DEVICES WITHOUT PERMISSION.		Description: Planetary Gearhead Servo Box	
DIMENSIONAL TOLERANCES (<math><30</math> : $\pm 0.25</math> DECIMALS UP-100 : \pm 0.2</math> 250-300 : \pm 0.4</math> UP-600 : \pm 1.5</math> >30-100 : \pm 0.35</math> X : \pm 0.3</math> 100-150 : \pm 0.25</math> 300-350 : \pm 0.45</math> 600-900 : \pm 2.4</math> >100-300 : \pm 0.5</math> X,X : \pm 0.2</math> 150-200 : \pm 0.3</math> 350-400 : \pm 0.5</math> 900-OVER : \pm 3.1</math> ABOVE 300 : \pm 0.8</math> X,XX : \pm 0.1</math> 200-250 : \pm 0.35</math> $		Part No. _____ REV. _____	
SCALE _____ UNIT _____ mm USED ON Planetary Gearhead		SHEET _____ OF _____ ISSUE DATE: _____	
A3 SIZE		X0	

1

2

3

4