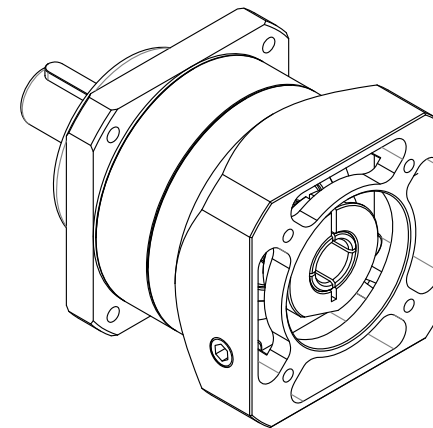
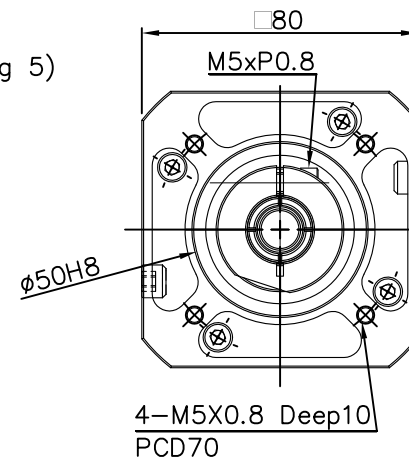
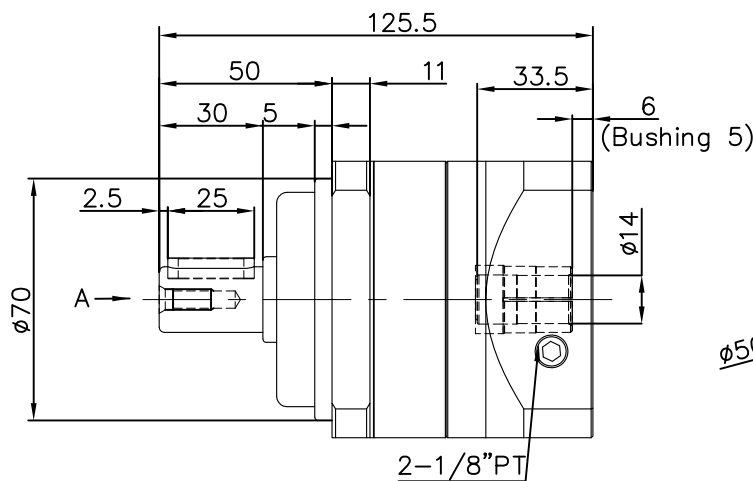
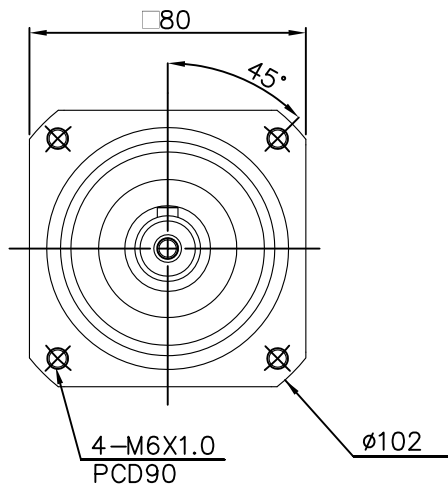


A VIEW



NOTES.

1. Match Motor Flange:  $\phi 50$
2. Output shaft have keyway, without keyway is optional.
3. Bushing is supplied to input bore  $\phi 6, \phi 6.35, \phi 8, \phi 9, \phi 10, \phi 11$  or  $\phi 12$

MODEL	段數 (Stage)	減速比 (Ratio)	背隙 (Arcmin)	匹配馬達出軸直徑&長度
PA080-C0038C1430	單段	3	8	14 & 30
PA080-C0048C1430	單段	4	8	14 & 30
PA080-C0058C1430	單段	5	8	14 & 30
PA080-C0078C1430	單段	7	8	14 & 30
PA080-C0108C1430	單段	10	8	14 & 30

Ration Application	3,4,5,7,10
Power Application	100W ~ 400W

台達電子工業股份有限公司 DELTA ELECTRONICS, INC.		Drawn:	Design:
THESE DRAWINGS AND SPECIFICATIONS ARE THE PROPERTY OF DELTA ELECTRONICS, INC. AND SHALL NOT BE REPRODUCED OR USED AS THE BASIS FOR THE MANUFACTURE OR SELL OF APPARATUSSES OR DEVICES WITHOUT PERMISSION.		Description: <b>Planetary Gearhead Servo Box</b>	
DIMENSIONAL TOLERANCES ( ) HOLES : $\pm 0.05$ ANGLES : $\pm 0.5^\circ$ <math><30</math> : $\pm 0.25$ DECIMALS UP-100 : $\pm 0.2$ 250-300 : $\pm 0.4$ UP-600 : $\pm 1.5$ >30-100 : $\pm 0.35$ X : $\pm 0.3$ 100-150 : $\pm 0.25$ 300-350 : $\pm 0.45$ 600-900 : $\pm 2.4$ >100-300 : $\pm 0.5$ X,X : $\pm 0.2$ 150-200 : $\pm 0.3$ 350-400 : $\pm 0.5$ 900-OVER : $\pm 3.1$ ABOVE 300 : $\pm 0.8$ X,XX : $\pm 0.1$ 200-250 : $\pm 0.35$		<b>A3</b> SIZE	Part No.
SCALE	UNIT		mm
Planetary Gearhead		SHEET OF ISSUE DATE:	
		REV. X0	