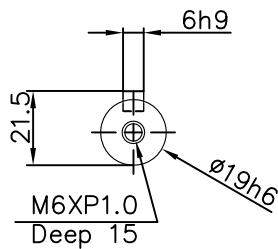


1

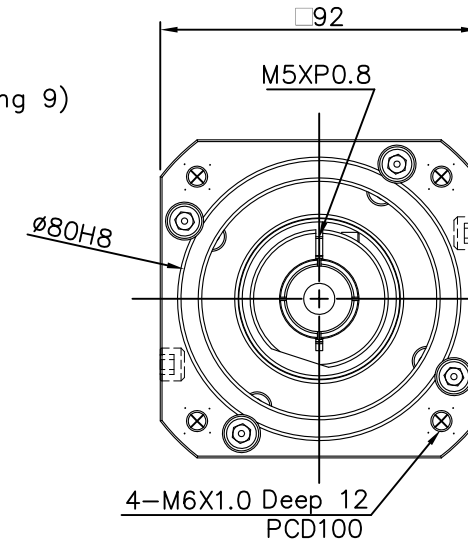
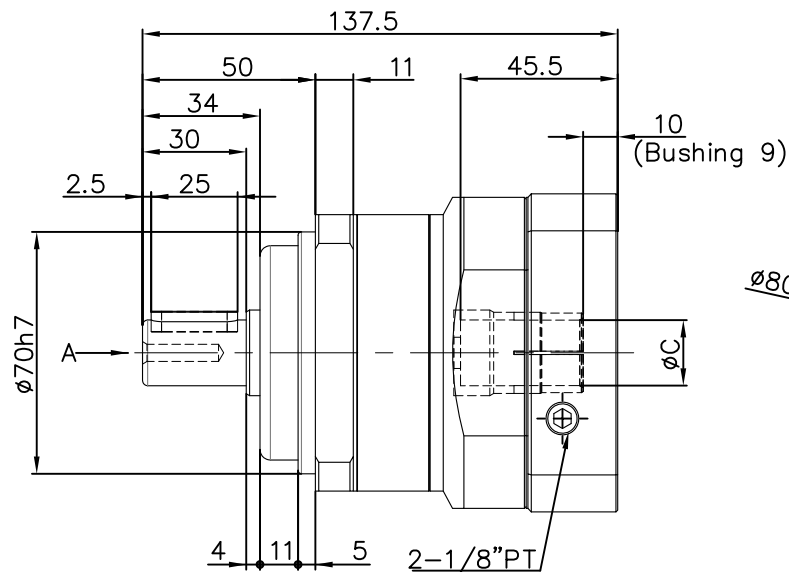
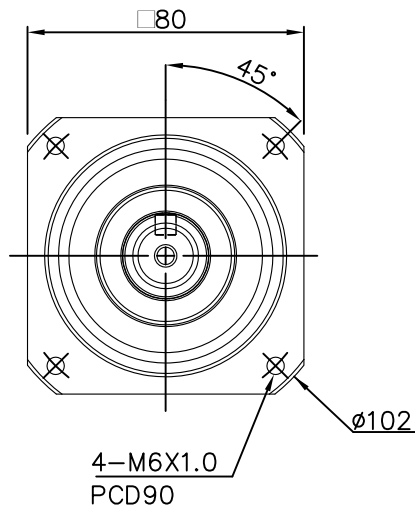
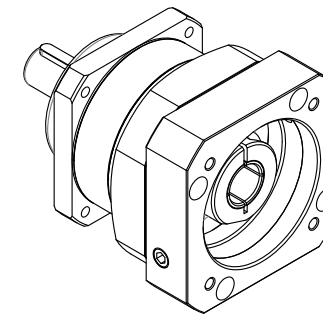
2

3

4



A VIEW



NOTES.

1. Match Motor Flange: $\phi 80$
2. Output shaft have keyway, without keyway is optional.
3. Bushing is supplied to input bore $\phi 6, \phi 6.35, \phi 8, \phi 9, \phi 10, \phi 11, \phi 12, \phi 12.7, \phi 14$ or $\phi 16$.
4. $\phi C = \phi 14$ or $\phi 19$

MODEL	段數 (Stage)	減速比 (Ratio)	背隙 (Arcmin)	匹配馬達輸出直徑&長度
PA080-C0038C1635	單段	3	8	16 & 35
PA080-C0048C1635	單段	4	8	16 & 35
PA080-C0058C1635	單段	5	8	16 & 35
PA080-C0078C1635	單段	7	8	16 & 35
PA080-C0108C1635	單段	10	8	16 & 35

Ration Application	3~10
Power Application	100W ~ 400W

台達電子工業股份有限公司 DELTA ELECTRONICS, INC.		Drawn:	Design:
THESE DRAWINGS AND SPECIFICATIONS ARE THE PROPERTY OF DELTA ELECTRONICS, INC. AND SHALL NOT BE REPRODUCED OR USED AS THE BASIS FOR THE MANUFACTURE OR SELL OF APPARATUS OR DEVICES WITHOUT PERMISSION.		Description: Planetary Gearhead Servo Box	
DIMENSIONAL TOLERANCES () HOLES : ±0.05 ANGLES : ±0.5° <math><30</math> : ±0.25 DECIMALS UP-100 : ±0.2 250-300 : ±0.4 UP-600 : ±1.5 >30-100 : ±0.35 X : ±0.3 100-150 : ±0.25 300-350 : ±0.45 600-900 : ±2.4 >100-300 : ±0.5 X,X : ±0.2 150-200 : ±0.3 350-400 : ±0.5 900-OVER : ±3.1 ABOVE 300 : ±0.8 X,XX : ±0.1 200-250 : ±0.35		Part No. _____ REV. _____ A3 SIZE X0	
SCALE	UNIT	SHEET OF ISSUE DATE: _____	
	mm	USED ON Planetary Gearhead	

1

2

3

4