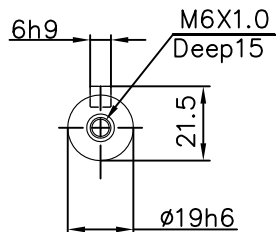


1

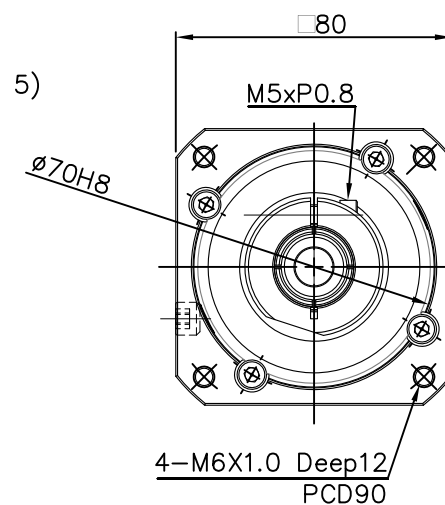
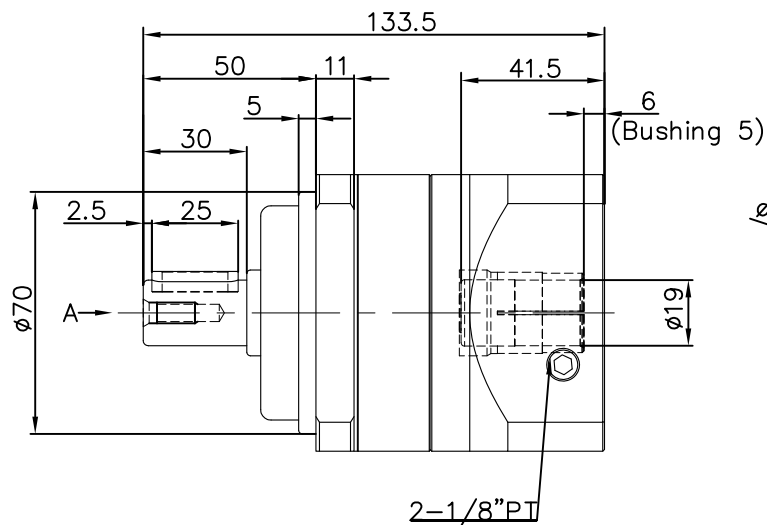
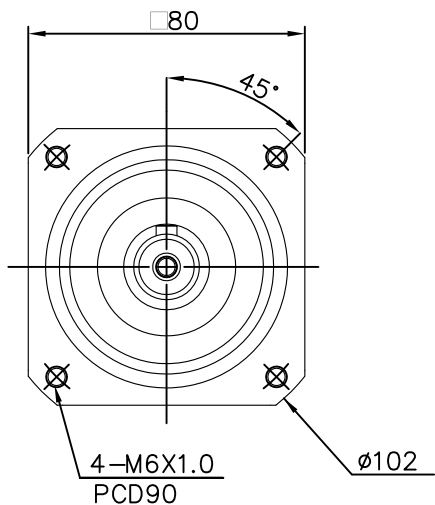
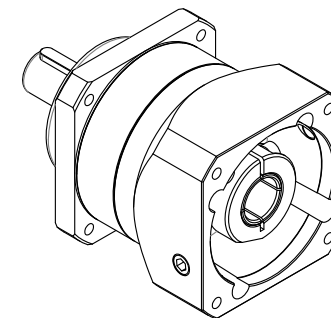
2

3

4



A VIEW



NOTES.

1. Match Motor Flange: $\phi 70$
2. Output shaft have keyway, without keyway is optional.
3. Bushing is supplied to input bore $\phi 6$, $\phi 6.35$, $\phi 8$, $\phi 9$, $\phi 10$, $\phi 11$, $\phi 12$, $\phi 12.7$, $\phi 14$ or $\phi 16$.

MODEL	段數 (Stage)	減速比 (Ratio)	背隙 (Arcmin)	匹配馬達出軸直徑&長度
PA080-C0038C1935	單段	3	8	19 & 35
PA080-C0048C1935	單段	4	8	19 & 35
PA080-C0058C1935	單段	5	8	19 & 35
PA080-C0078C1935	單段	7	8	19 & 35
PA080-C0108C1935	單段	10	8	19 & 35

Ration Application	3,4,5,7,10
Power Application	750W

 台達電子工業股份有限公司
DELTA ELECTRONICS, INC.

Drawn:

Design:

THESE DRAWINGS AND SPECIFICATIONS ARE THE PROPERTY OF DELTA ELECTRONICS, INC. AND SHALL NOT BE REPRODUCED OR USED AS THE BASIS FOR THE MANUFACTURE OR SELL OF APPARATUS OR DEVICES WITHOUT PERMISSION.



Description: **Planetary Gearhead Servo Box**

DIMENSIONAL TOLERANCES () HOLES : ± 0.05 ANGLES : $\pm 0.5^\circ$

<30	: ± 0.25	DECIMALS	UP-100 : ± 0.2	250-300 : ± 0.4	UP-600 : ± 1.5
>30-100	: ± 0.35	X	100-150 : ± 0.25	300-350 : ± 0.45	600-900 : ± 2.4
>100-300	: ± 0.5	X,X	150-200 : ± 0.3	350-400 : ± 0.5	900-OVER : ± 3.1
ABOVE 300	: ± 0.8	X,XX	200-250 : ± 0.35		

A3
SIZE

Part No.		REV.
		X0
SHEET	OF	ISSUE DATE: