

1

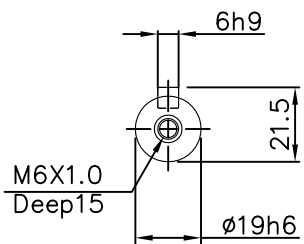
2

3

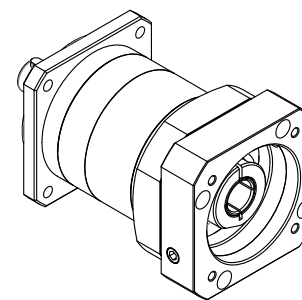
4

A

A

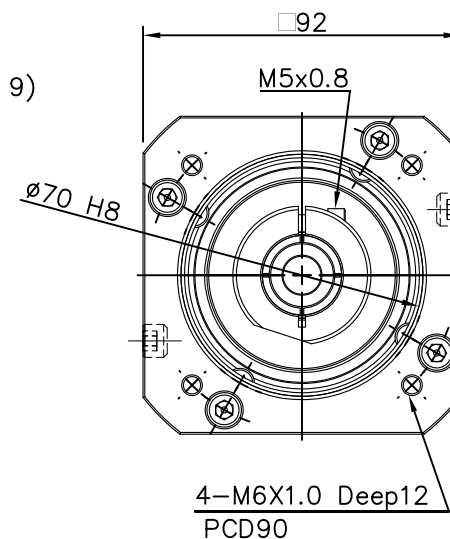
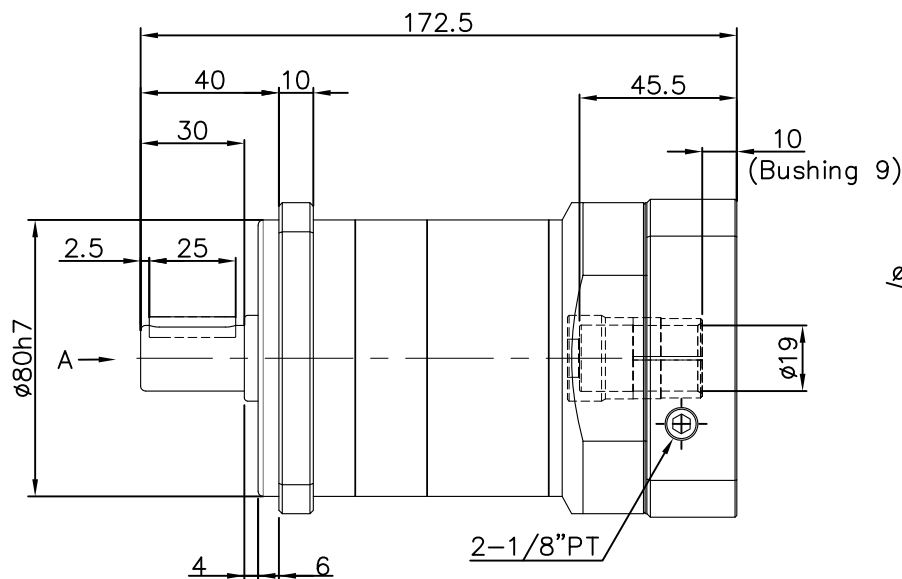
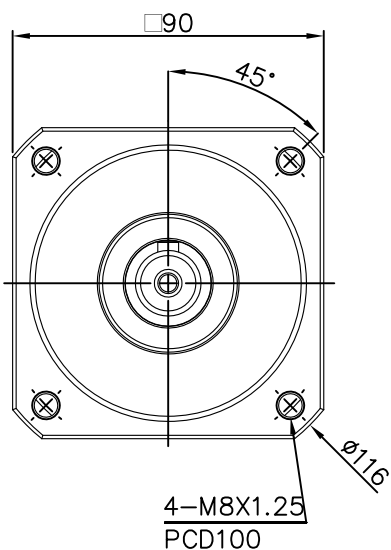


A VIEW



B

B



## NOTES.

1. Match Motor Flange:  $\phi 70$
2. Output shaft have keyway, without keyway is optional.
3. Bushing is supplied to input bore  $\phi 10$ ,  $\phi 12.7$ ,  $\phi 14$  or  $\phi 16$ .

C

C

| MODEL            | 段數 (Stage) | 減速比 (Ratio) | 背隙 (Arcmin) | 匹配馬達出軸直徑&長度 |
|------------------|------------|-------------|-------------|-------------|
| PA090-A015CC1935 | 雙段         | 15          | 12          | 19 & 35     |
| PA090-A020CC1935 | 雙段         | 20          | 12          | 19 & 35     |
| PA090-A025CC1935 | 雙段         | 25          | 12          | 19 & 35     |
| PA090-A030CC1935 | 雙段         | 30          | 12          | 19 & 35     |
| PA090-A035CC1935 | 雙段         | 35          | 12          | 19 & 35     |
| PA090-A040CC1935 | 雙段         | 40          | 12          | 19 & 35     |
| PA090-A050CC1935 | 雙段         | 50          | 12          | 19 & 35     |
| PA090-A070CC1935 | 雙段         | 70          | 12          | 19 & 35     |
| PA090-A100CC1935 | 雙段         | 100         | 12          | 19 & 35     |

|                    |             |
|--------------------|-------------|
| Ration Application | 15~100      |
| Power Application  | 100W ~ 400W |

|   |  |  |             |
|---|--|--|-------------|
| 台達電子工業股份有限公司<br>DELTA ELECTRONICS, INC.   |  | Drawn:   | Design:     |
| THESE DRAWINGS AND SPECIFICATIONS ARE THE PROPERTY OF DELTA ELECTRONICS, INC. AND SHALL NOT BE REPRODUCED OR USED AS THE BASIS FOR THE MANUFACTURE OR SELL OF APPARATUS OR DEVICES WITHOUT PERMISSION.  |  | Description: <b>Planetary Gearhead Servo Box</b> |             |
| DIMENSIONAL TOLERANCES ( ) HOLES : ±0.05 ANGLES : ±0.5°<br><math>< 30</math> : ±0.25 DECIMALS UP-100 : ±0.2 250-300 : ±0.4 UP-600 : ±1.5<br><math>> 30-100</math> : ±0.35 X : ±0.3 100-150 : ±0.25 300-350 : ±0.45 600-900 : ±2.4<br><math>> 100-300</math> : ±0.5 X,X : ±0.2 150-200 : ±0.3 350-400 : ±0.5 900-OVER : ±3.1<br>ABOVE 300 : ±0.8 X,XX : ±0.1 200-250 : ±0.35 |  | Part No.   | REV.        |
| SCALE UNIT mm USED ON Planetary Gearhead  |  | A3 SIZE  | X0          |
| SHEET   |  | OF   | ISSUE DATE: |

1

2

3

4