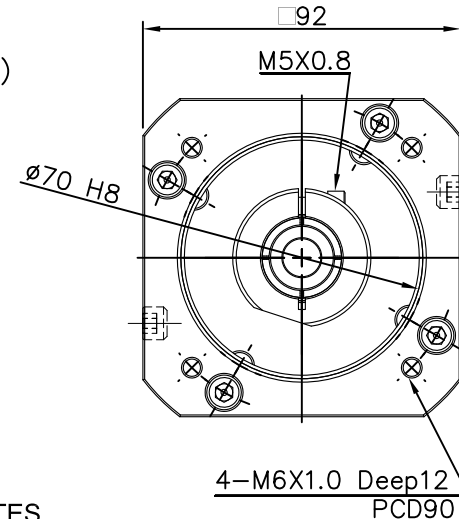
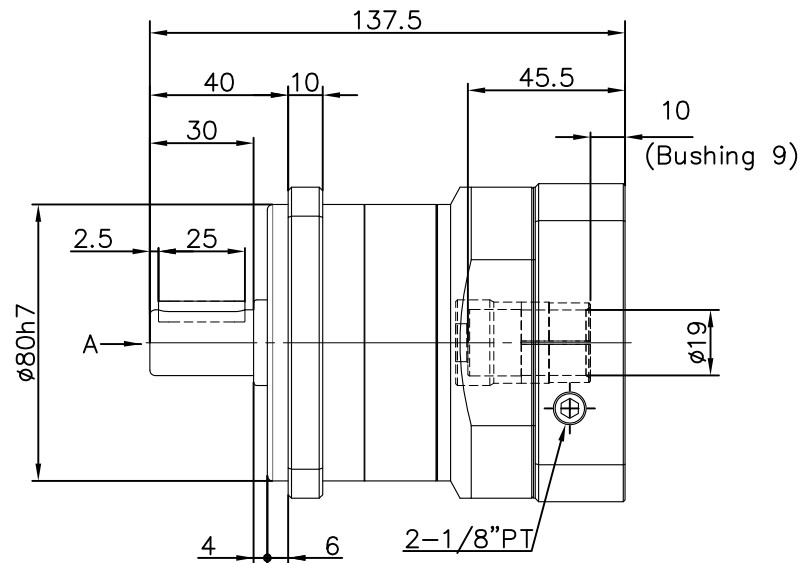
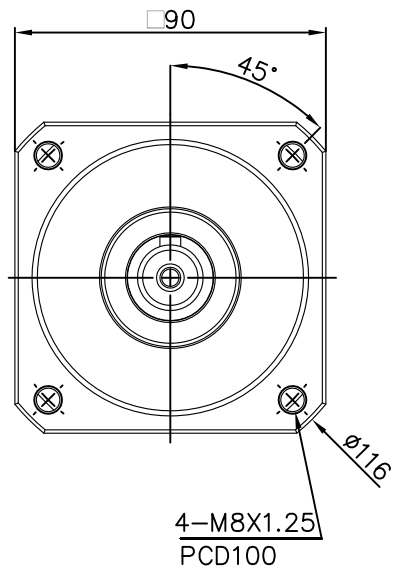
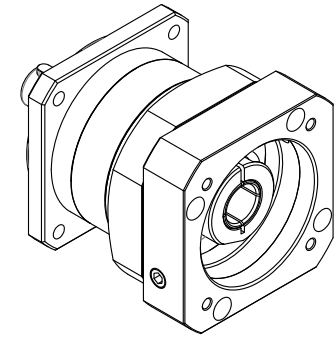


A VIEW



NOTES.

1. Match Motor Flange: $\phi 70$
2. Output shaft have keyway, without keyway is optional.
3. Bushing is supplied to input bore $\phi 10$, $\phi 12.7$, $\phi 14$, or $\phi 16$.

MODEL	段數 (Stage)	減速比 (Ratio)	背隙 (Arcmin)	匹配馬達出軸直徑&長度
PA090-C0038C1935	單段	3	8	16 & 35
PA090-C0048C1935	單段	4	8	16 & 35
PA090-C0058C1935	單段	5	8	16 & 35
PA090-C0078C1935	單段	7	8	16 & 35
PA0-90C0108C1935	單段	10	8	16 & 35

Ration Application	3,4,5,7,10
Power Application	100W ~ 400W

台達電子工業股份有限公司 DELTA ELECTRONICS, INC.		Drawn:	Design:
THESE DRAWINGS AND SPECIFICATIONS ARE THE PROPERTY OF DELTA ELECTRONICS, INC. AND SHALL NOT BE REPRODUCED OR USED AS THE BASIS FOR THE MANUFACTURE OR SELL OF APPARATUS OR DEVICES WITHOUT PERMISSION.		Description: Planetary Gearhead Servo Box	
DIMENSIONAL TOLERANCES () HOLES : ± 0.05 ANGLES : $\pm 0.5^\circ$ <30 : ± 0.25 DECIMALS UP-100 : ± 0.2 250-300 : ± 0.4 UP-600 : ± 1.5 >30-100 : ± 0.35 X : ± 0.3 100-150 : ± 0.25 300-350 : ± 0.45 600-900 : ± 2.4 >100-300 : ± 0.5 X,X : ± 0.2 150-200 : ± 0.3 350-400 : ± 0.5 900-OVER : ± 3.1 ABOVE 300 : ± 0.8 X,XX : ± 0.1 200-250 : ± 0.35		Part No.	REV.
SCALE: UNIT: mm USED ON: Planetary Gearhead		A3 SIZE	X0
SHEET		OF	ISSUE DATE: