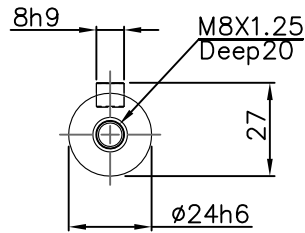


1

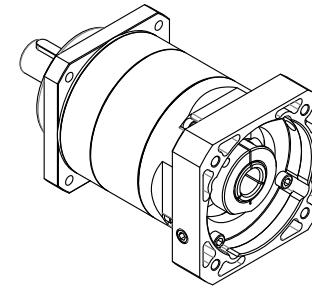
2

3

4



A VIEW

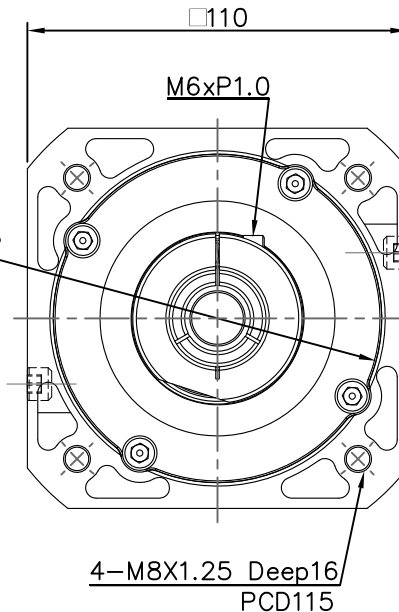
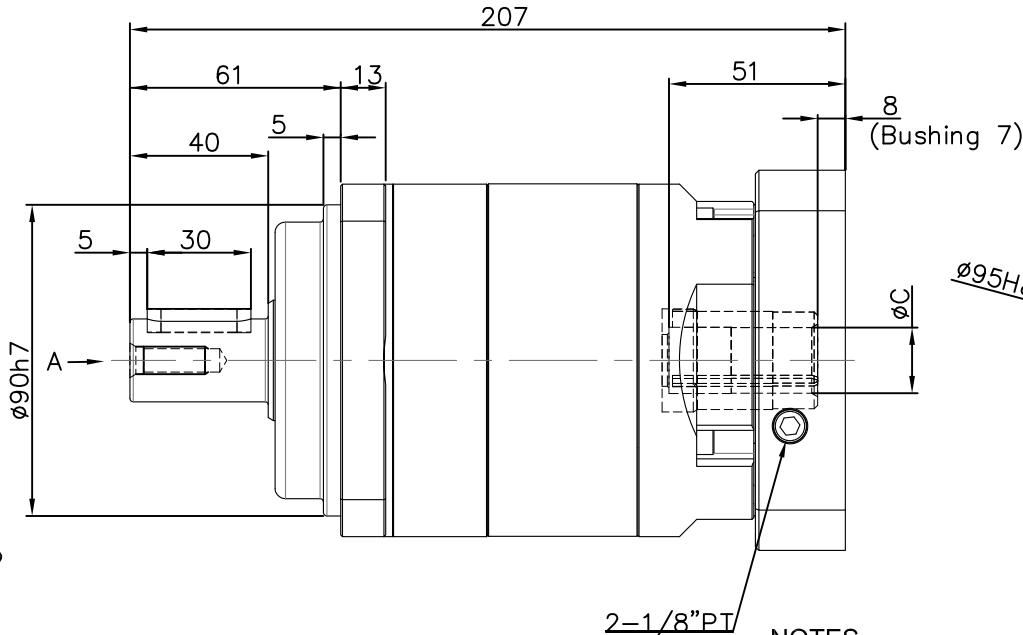
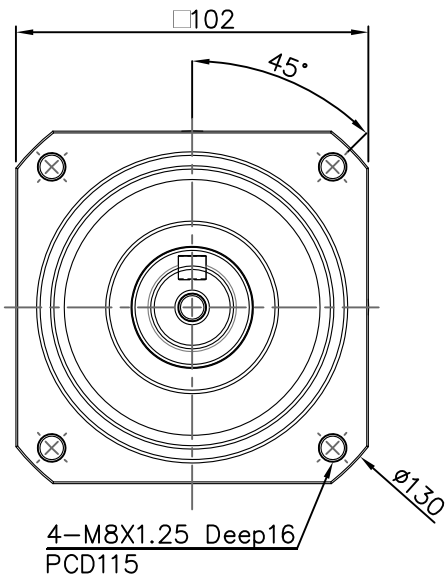


A

A

B

B



## NOTES.

1. Match Motor Flange:  $\phi 95$
2. Output shaft have keyway, without keyway is optional.
3. Bushing is supplied to input bore  $\phi 10, \phi 12.7, \phi 14, \phi 16, \phi 19$  or  $\phi 22$ .
4.  $\phi C = \phi 19$  or  $\phi 24$ .

MODEL	段數 (Stage)	減速比 (Ratio)	背隙 (Arcmin)	匹配馬達出軸直徑&長度
PA100-A015CD2245	雙段	15	12	22 & 45
PA100-A020CD2245	雙段	20	12	22 & 45
PA100-A025CD2245	雙段	25	12	22 & 45
PA100-A030CD2245	雙段	30	12	22 & 45
PA100-A035CD2245	雙段	35	12	22 & 45
PA100-A040CD2245	雙段	40	12	22 & 45
PA100-A050CD2245	雙段	50	12	22 & 45
PA100-A070CD2245	雙段	70	12	22 & 45
PA100-A100CD2245	雙段	100	12	22 & 45

Ration Application	15~100
Power Application	400W ~ 1.5KW

台達電子工業股份有限公司 DELTA ELECTRONICS, INC.		Drawn:	Design:
THESE DRAWINGS AND SPECIFICATIONS ARE THE PROPERTY OF DELTA ELECTRONICS, INC. AND SHALL NOT BE REPRODUCED OR USED AS THE BASIS FOR THE MANUFACTURE OR SELL OF APPARATUS OR DEVICES WITHOUT PERMISSION.		Description: <b>Planetary Gearhead Servo Box</b>	
DIMENSIONAL TOLERANCES ( ) ( ) ( ) ( ) ( ) ( ) <30 :±0.25 DECIMALS UP-100 :±0.2 250-300 :±0.4 UP-600 :±1.5 >30-100 :±0.35 X :±0.3 100-150 :±0.25 300-350 :±0.45 600-900 :±2.4 >100-300 :±0.5 X,X :±0.2 150-200 :±0.3 350-400 :±0.5 900-OVER :±3.1 ABOVE 300 :±0.8 X,XX :±0.1 200-250 :±0.35		THIRD ANGLE PROJECTION <b>A3</b> SIZE	Part No. REV. <b>X0</b>
SCALE	UNIT	mm	USED ON
			Planetary Gearhead
SHEET	OF	ISSUE DATE:	

1

2

3

4