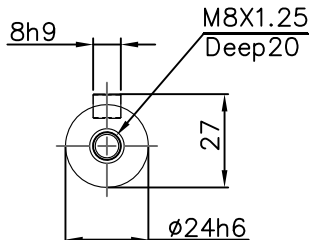
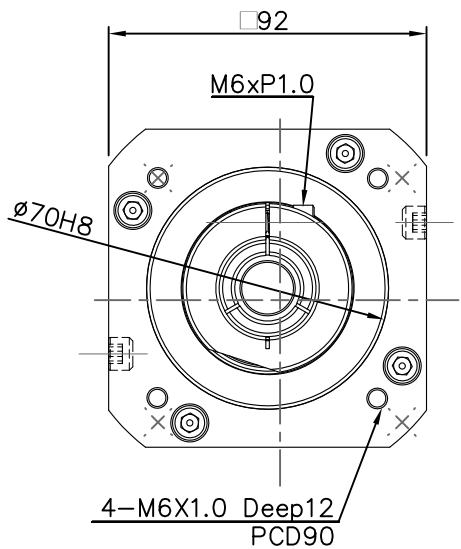
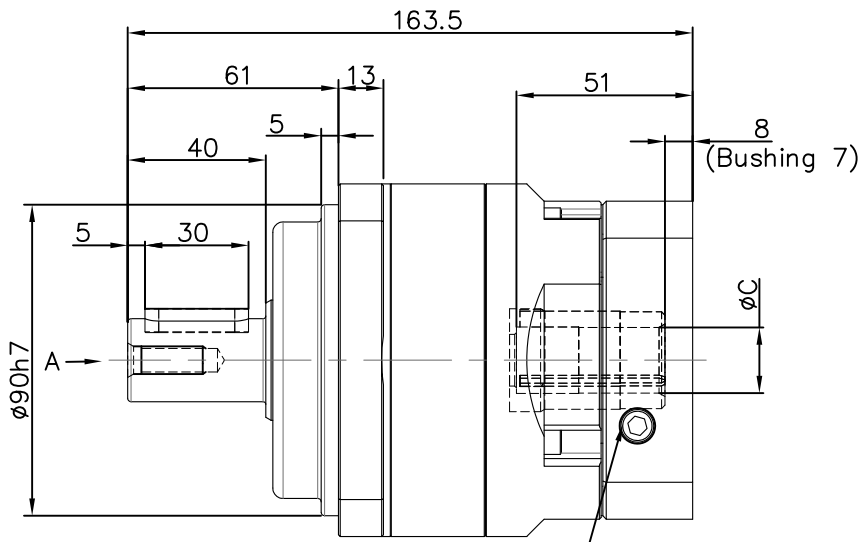
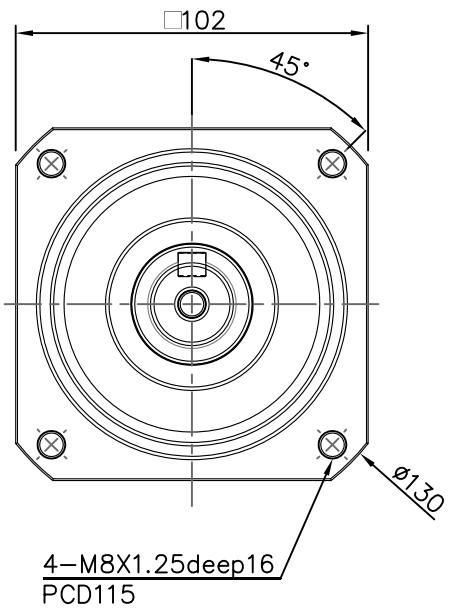
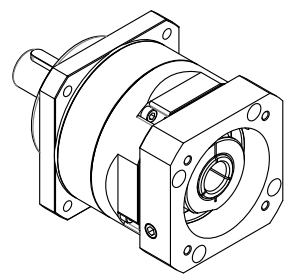


1 2 3 4



A VIEW



NOTES.

1. Match Motor Flange:  $\phi 70$
2. Output shaft have keyway, without keyway is optional.
3. Bushing is supplied to input bore  $\phi 10, \phi 12.7, \phi 14, \phi 16, \phi 19$  or  $\phi 22$ .
4.  $\phi C = \phi 19$  or  $\phi 24$ .

A

A

B

B

C

C

MODEL	段數 (Stage)	減速比 (Ratio)	背隙 (Arcmin)	匹配馬達出軸直徑&長度
PA100-C0038C1430	單段	3	8	14 & 30
PA100-C0048C1430	單段	4	8	14 & 30
PA100-C0058C1430	單段	5	8	14 & 30
PA100-C0078C1430	單段	7	8	14 & 30
PA100-C0108C1430	單段	10	8	14 & 30

Ration Application	3,4,5,7,10
Power Application	400W ~ 1.5KW

**DELTA** 台達電子工業股份有限公司  
DELTA ELECTRONICS, INC.

THIRD ANGLE PROJECTION

DESCRIPTION: Planetary Gearhead Servo Box

Part No. \_\_\_\_\_ REV. X0

SCALE \_\_\_\_\_ UNIT mm USED ON Planetary Gearhead

SHEET OF ISSUE DATE: \_\_\_\_\_

1 2 3 4