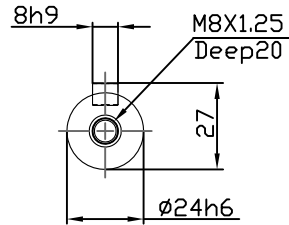


1

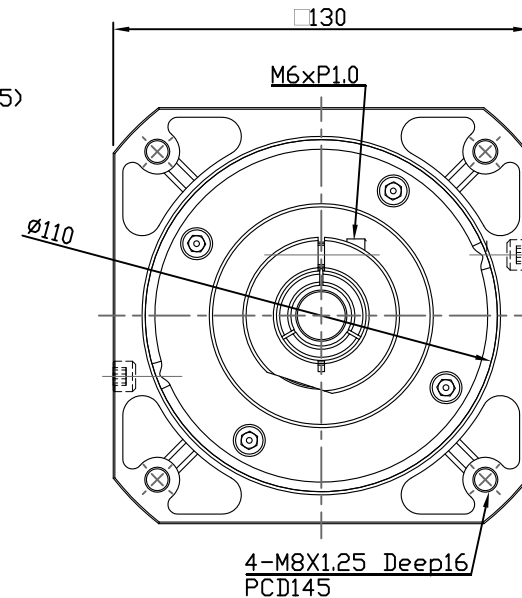
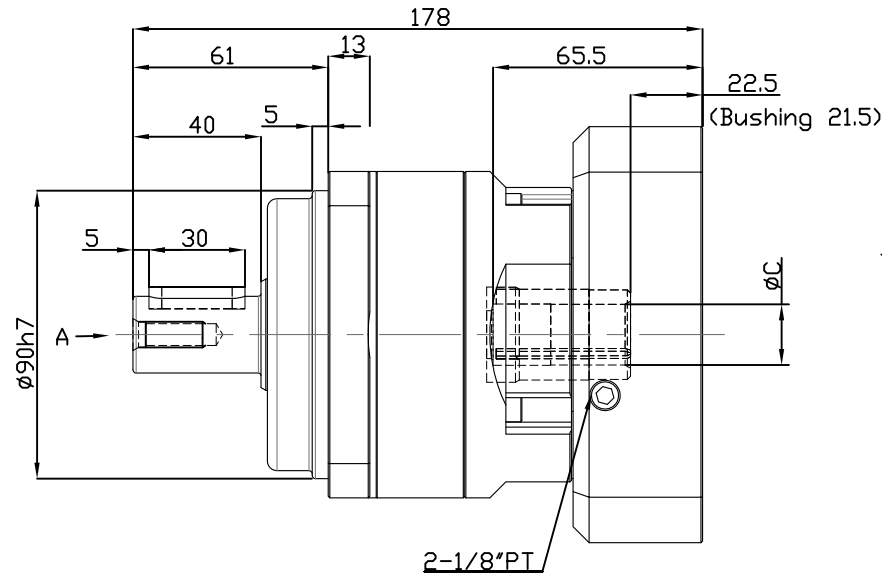
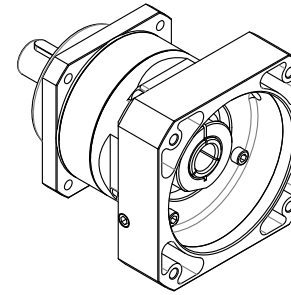
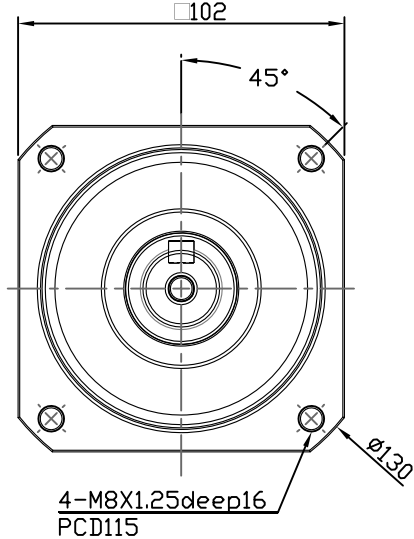
2

3

4



A VIEW



## NOTES.

1. Match Motor Flange:  $\phi 110$
2. Output shaft have keyway, without keyway is optional.
3. Bushing is supplied to input bore  $\phi 10$ ,  $\phi 12.7$ ,  $\phi 14$ ,  $\phi 16$ ,  $\phi 19$  or  $\phi 22$ .
4.  $\phi C = \phi 19$  or  $\phi 24$ .

MODEL	段數 (Stage)	減速比 (Ratio)	背隙 (Arcmin)	匹配馬達輸出軸直徑&長度
PA100-C0038E2255	單段	3	8	22 & 55
PA100-C0048E2255	單段	4	8	22 & 55
PA100-C0058E2255	單段	5	8	22 & 55
PA100-C0078E2255	單段	7	8	22 & 55
PA100-C0108E2255	單段	10	8	22 & 55
PA100-C0038E2455	單段	3	8	24 & 55
PA100-C0048E2455	單段	4	8	24 & 55
PA100-C0058E2455	單段	5	8	24 & 55
PA100-C0078E2455	單段	7	8	24 & 55
PA100-C0108E2455	單段	10	8	24 & 55

Ration Application	3,4,5,7,10
Power Application	400W ~ 1.5KW

台達電子工業股份有限公司 DELTA ELECTRONICS, INC.		Drawn:	Design:
THESE DRAWINGS AND SPECIFICATIONS ARE THE PROPERTY OF DELTA ELECTRONICS, INC. AND SHALL NOT BE REPRODUCED OR USED AS THE BASIS FOR THE MANUFACTURE OR SELL OF APPARATUS OR DEVICES WITHOUT PERMISSION.		Description: <b>Planetary Gearhead Servo Box</b>	
DIMENSIONAL TOLERANCES ( ) HOLES : ±0.05 ANGLES : ±0.5° <math><30</math> : ±0.25 DECIMALS UP-100 : ±0.2 250-300 : ±0.4 UP-600 : ±1.5 >30-100 : ±0.35 X : ±0.3 100-150 : ±0.25 300-350 : ±0.45 600-900 : ±2.4 >100-300 : ±0.5 X.X : ±0.2 150-200 : ±0.3 350-400 : ±0.5 900-OVER : ±3.1 ABOVE 300 : ±0.8 X.XX : ±0.1 200-250 : ±0.35		Part No.	REV.
SCALE: UNIT: mm USED ON: Planetary Gearhead		A3 SIZE	X0
SHEET		OF	ISSUE DATE:

1

2

3

4