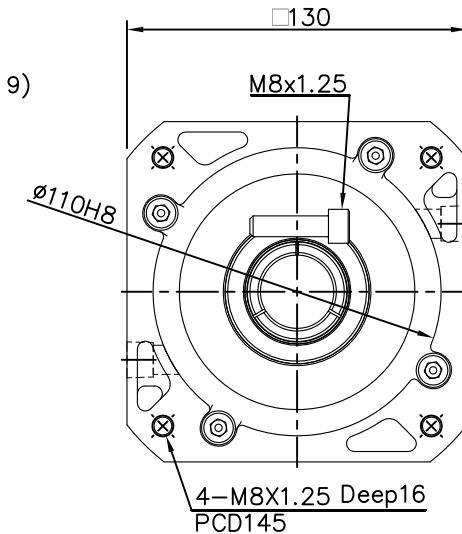
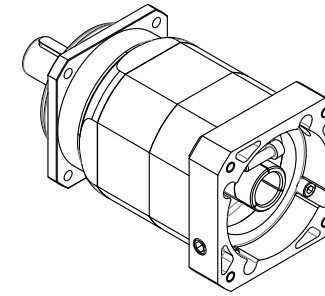
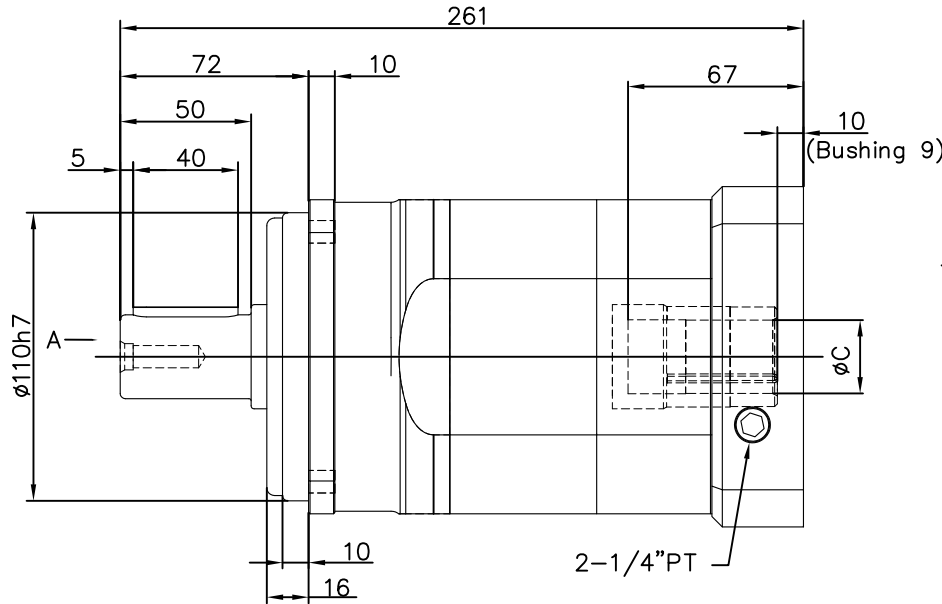
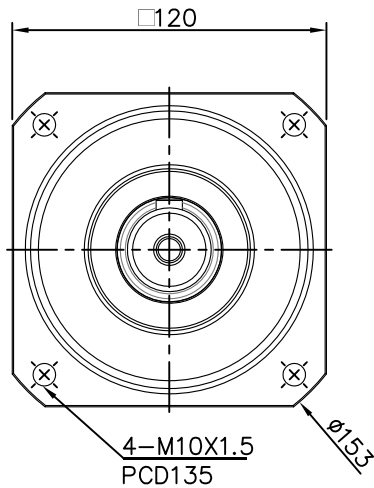
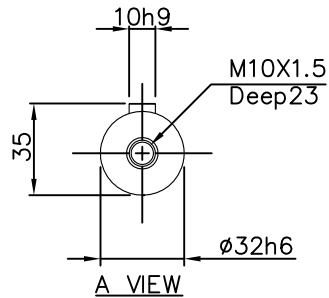


1

2

3

4



NOTES.

1. Match Motor Flange: $\phi 110$
2. Output shaft have keyway, without keyway is optional.
3. Bushing is supplied to input bore $\phi 19$, $\phi 22$, or $\phi 24$
4. $\phi C = \phi 24$, $\phi 28$, $\phi 32$

MODEL	段數 (Stage)	減速比 (Ratio)	背隙 (Arcmin)	匹配馬達出軸直徑&長度
PA120-A015CE2455	雙段	15	12	24 & 55
PA120-A020CE2455	雙段	20	12	24 & 55
PA120-A025CE2455	雙段	25	12	24 & 55
PA120-A030CE2455	雙段	30	12	24 & 55
PA120-A035CE2455	雙段	35	12	24 & 55
PA120-A040CE2455	雙段	40	12	24 & 55
PA120-A050CE2455	雙段	50	12	24 & 55
PA120-A070CE2455	雙段	70	12	24 & 55
PA120-A0100CE2455	雙段	100	12	24 & 55

Ration Application	15~100
Power Application	750W ~ 3.75KW

台達電子工業股份有限公司 DELTA ELECTRONICS, INC.		Drawn:	Design:
THESE DRAWINGS AND SPECIFICATIONS ARE THE PROPERTY OF DELTA ELECTRONICS, INC. AND SHALL NOT BE REPRODUCED OR USED AS THE BASIS FOR THE MANUFACTURE OR SELL OF APPARATUS OR DEVICES WITHOUT PERMISSION.		Description: Planetary Gearhead Servo Box	
DIMENSIONAL TOLERANCES () HOLES : ± 0.05 ANGLES : $\pm 0.5^\circ$ <30 : ± 0.25 DECIMALS UP-100 : ± 0.2 250-300 : ± 0.4 UP-600 : ± 1.5 >30-100 : ± 0.35 X : ± 0.3 100-150 : ± 0.25 300-350 : ± 0.45 600-900 : ± 2.4 >100-300 : ± 0.5 X,X : ± 0.2 150-200 : ± 0.3 350-400 : ± 0.5 900-OVER : ± 3.1 ABOVE 300 : ± 0.8 X,XX : ± 0.1 200-250 : ± 0.35		Part No.	REV.
SCALE	UNIT	SIZE	SHEET OF
	mm	A3	ISSUE DATE:
USED ON	Planetary Gearhead		X0