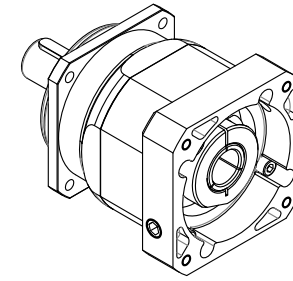
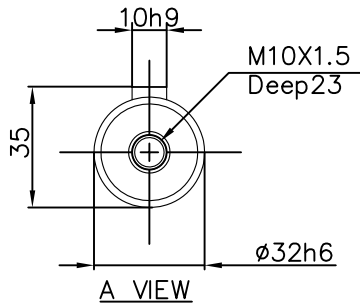
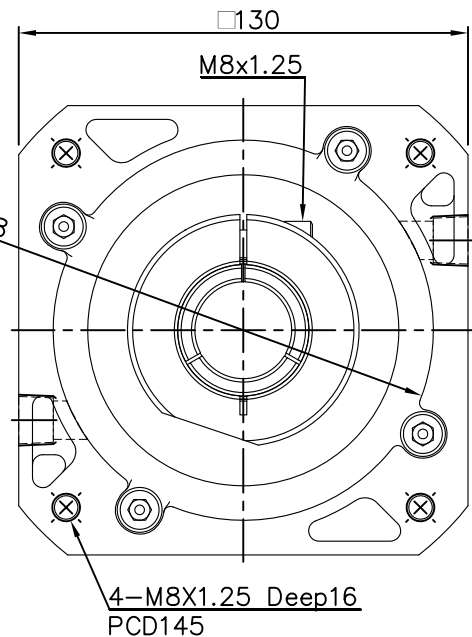
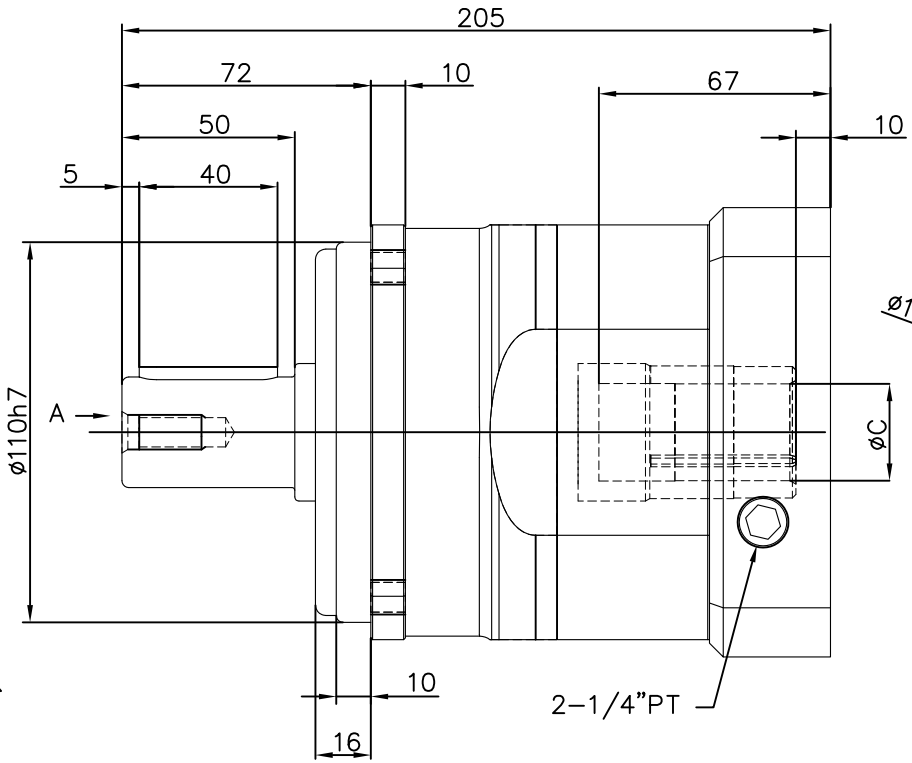
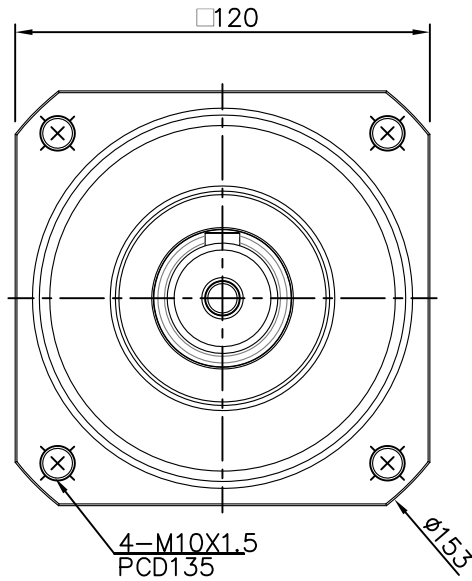


1 2 3 4



A

A



B

B

- NOTES.
1. Match Motor Flange: $\phi 110$
 2. Output shaft have keyway, without keyway is optional.
 3. $\phi C = \phi 24, \phi 28, \phi 32$

C

C

MODEL	段數 (Stage)	減速比 (Ratio)	背隙 (Arcmin)	匹配馬達出軸直徑&長度
PA120-C0038E2455	單段	3	8	24 & 55
PA120-C0048E2455	單段	4	8	24 & 55
PA120-C0058E2455	單段	5	8	24 & 55
PA120-C0078E2455	單段	7	8	24 & 55
PA120-C0108E2455	單段	10	8	24 & 55

Ration Application	3~10
Power Application	750W ~ 3.75KW

台達電子工業股份有限公司 DELTA ELECTRONICS, INC.		Drawn:	Design:
THESE DRAWINGS AND SPECIFICATIONS ARE THE PROPERTY OF DELTA ELECTRONICS, INC. AND SHALL NOT BE REPRODUCED OR USED AS THE BASIS FOR THE MANUFACTURE OR SELL OF APPARATUS OR DEVICES WITHOUT PERMISSION.		Description: Planetary Gearhead Servo Box	
DIMENSIONAL TOLERANCES () HOLES : ±0.05 ANGLES : ±0.5° <30 : ±0.25 DECIMALS UP-100 : ±0.2 250-300 : ±0.4 UP-600 : ±1.5 >30-100 : ±0.35 X : ±0.3 100-150 : ±0.25 300-350 : ±0.45 600-900 : ±2.4 >100-300 : ±0.5 X,X : ±0.2 150-200 : ±0.3 350-400 : ±0.5 900-OVER : ±3.1 ABOVE 300 : ±0.8 X,XX : ±0.1 200-250 : ±0.35		A3 SIZE	Part No.
SCALE	UNIT mm		USED ON Planetary Gearhead
SHEET		OF	ISSUE DATE:

1 2 3 4