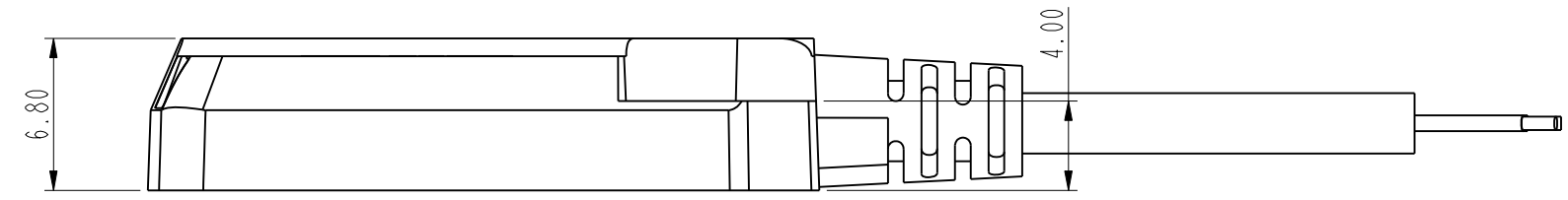
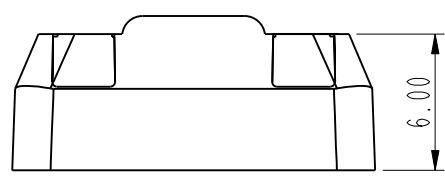
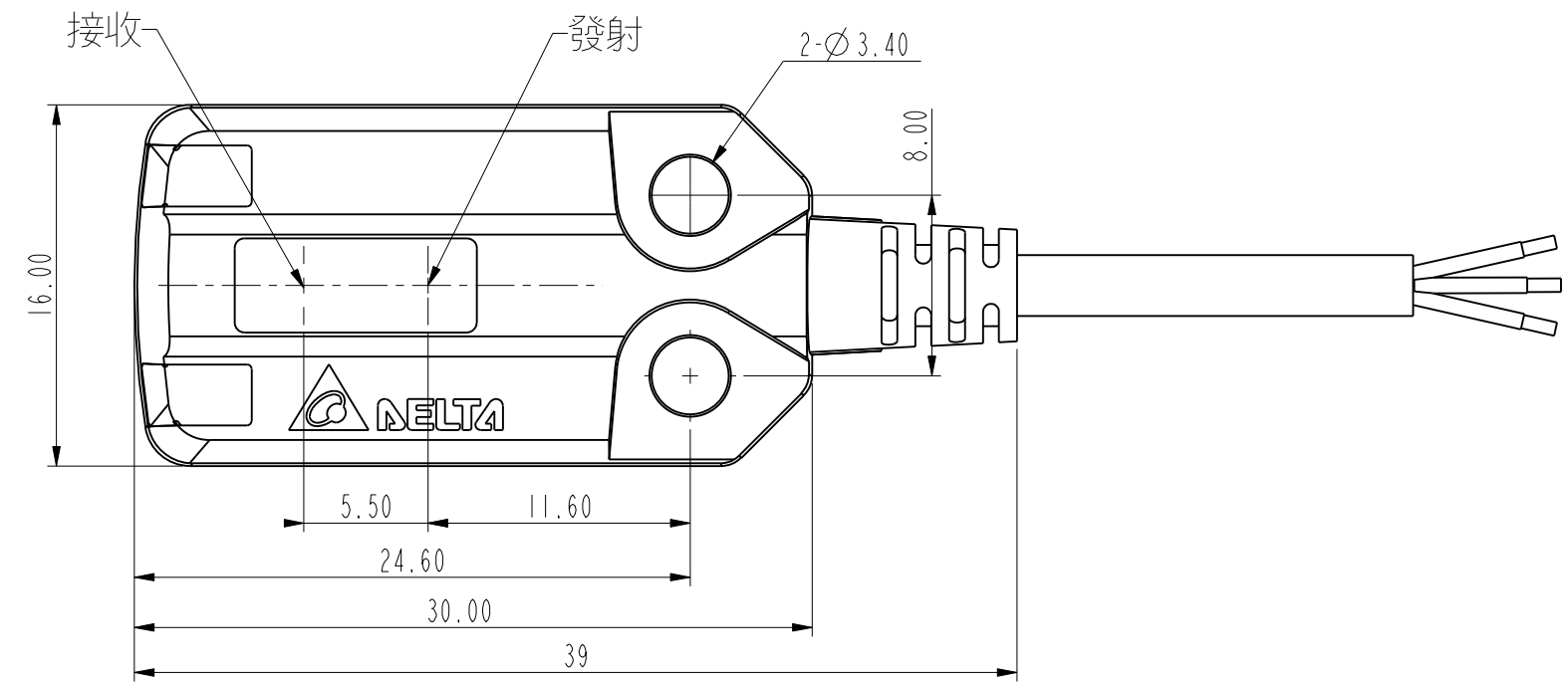


REV.	ECN NO.
00	-----



<b>台達電子工業股份有限公司</b> <b>DELTA ELECTRONICS, INC.</b>	DRAWN: Johnson Tu	DESIGN: Johnson Tu																																			
	APPROVE: Sean Chang	DATE: Feb-01-15																																			
THESE DRAWINGS AND SPECIFICATIONS ARE THE PROPERTY OF DELTA ELECTRONICS, INC. AND SHALL NOT BE REPRODUCED OR USED AS THE BASIS FOR THE MANUFACTURE OR SELL OF APPARATUSES OR DEVICES WITHOUT PERMISSION.	DIMENSIONAL TOLERANCES ( V ) ( ) ( ) ( ) ANGLES																																				
	<table border="1"> <tr> <td>DECIMALS</td> <td>&lt;50</td> <td>±0.1</td> <td>&lt;50</td> <td>±0.15</td> <td>&lt;50</td> <td>±0.2</td> <td>&lt;30°</td> <td>±0.1°</td> </tr> <tr> <td>X</td> <td>±0.3</td> <td>&gt;50-100</td> <td>±0.15</td> <td>&gt;50-100</td> <td>±0.2</td> <td>&gt;50-100</td> <td>&gt;30°-60°</td> <td>±0.3°</td> </tr> <tr> <td>X.X</td> <td>±0.2</td> <td>&gt;100-200</td> <td>±0.2</td> <td>&gt;100-200</td> <td>±0.25</td> <td>&gt;100-200</td> <td>&gt;60°-90°</td> <td>±0.5°</td> </tr> <tr> <td>X.XX</td> <td>±0.1</td> <td>&gt;200-</td> <td>±0.2X</td> <td>&gt;200-</td> <td>±0.25X</td> <td>&gt;200-</td> <td></td> <td>±0.3X</td> </tr> </table>		DECIMALS	<50	±0.1	<50	±0.15	<50	±0.2	<30°	±0.1°	X	±0.3	>50-100	±0.15	>50-100	±0.2	>50-100	>30°-60°	±0.3°	X.X	±0.2	>100-200	±0.2	>100-200	±0.25	>100-200	>60°-90°	±0.5°	X.XX	±0.1	>200-	±0.2X	>200-	±0.25X	>200-	
DECIMALS	<50	±0.1	<50	±0.15	<50	±0.2	<30°	±0.1°																													
X	±0.3	>50-100	±0.15	>50-100	±0.2	>50-100	>30°-60°	±0.3°																													
X.X	±0.2	>100-200	±0.2	>100-200	±0.25	>100-200	>60°-90°	±0.5°																													
X.XX	±0.1	>200-	±0.2X	>200-	±0.25X	>200-		±0.3X																													
DESCRIPTION: PRF MODULE ASS'Y	CONFIDENTIAL	PART NO.:																																			
USED ON	UNIT: mm	SCALE: 3.000																																			
		SHEET 3 OF 3																																			