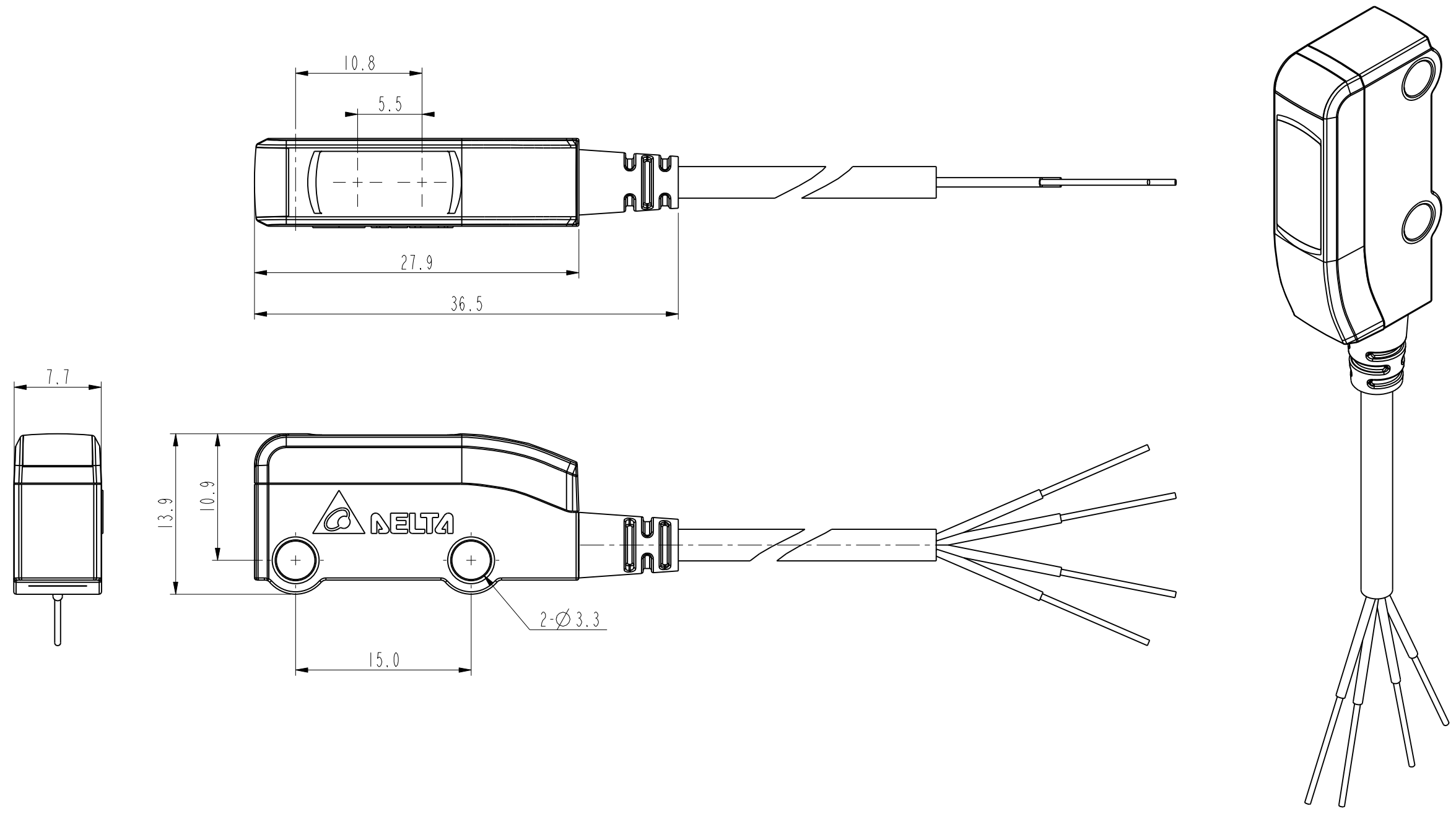


REV.	ECN NO.
00	-----



台達電子工業股份有限公司 DELTA ELECTRONICS, INC.	DRAWN: Johnson Tu	DESIGN: Johnson Tu																																						
	APPROVE: Sean Chang	DATE: 18-Feb-16																																						
THESE DRAWINGS AND SPECIFICATIONS ARE THE PROPERTY OF DELTA ELECTRONICS, INC. AND SHALL NOT BE REPRODUCED OR USED AS THE BASIS FOR THE MANUFACTURE OR SELL OF APPARATUS OR DEVICES WITHOUT PERMISSION.	DIMENSIONAL TOLERANCES () () () () ANGLES																																							
	<table border="1"> <tr> <td>DECIMALS</td> <td><50</td> <td>±0.1</td> <td><50</td> <td>±0.15</td> <td><50</td> <td>±0.2</td> <td><30°</td> <td>±0.1°</td> </tr> <tr> <td>X</td> <td>±0.3</td> <td>>50-100</td> <td>±0.15</td> <td>>50-100</td> <td>±0.2</td> <td>>50-100</td> <td>±0.25</td> <td>>30°-60°</td> <td>±0.3°</td> </tr> <tr> <td>X.X</td> <td>±0.2</td> <td>>100-200</td> <td>±0.2</td> <td>>100-200</td> <td>±0.25</td> <td>>100-200</td> <td>±0.3</td> <td>>60°-90°</td> <td>±0.5°</td> </tr> <tr> <td>X.XX</td> <td>±0.1</td> <td>>200-</td> <td>±0.25</td> <td>>200-</td> <td>±0.25X</td> <td>>200-</td> <td>±0.3X</td> <td></td> <td></td> </tr> </table>		DECIMALS	<50	±0.1	<50	±0.15	<50	±0.2	<30°	±0.1°	X	±0.3	>50-100	±0.15	>50-100	±0.2	>50-100	±0.25	>30°-60°	±0.3°	X.X	±0.2	>100-200	±0.2	>100-200	±0.25	>100-200	±0.3	>60°-90°	±0.5°	X.XX	±0.1	>200-	±0.25	>200-	±0.25X	>200-	±0.3X	
DECIMALS	<50	±0.1	<50	±0.15	<50	±0.2	<30°	±0.1°																																
X	±0.3	>50-100	±0.15	>50-100	±0.2	>50-100	±0.25	>30°-60°	±0.3°																															
X.X	±0.2	>100-200	±0.2	>100-200	±0.25	>100-200	±0.3	>60°-90°	±0.5°																															
X.XX	±0.1	>200-	±0.25	>200-	±0.25X	>200-	±0.3X																																	
DESCRIPTION: PSL SENSOR	CONFIDENTIAL	PART NO.:																																						
USED ON	UNIT: mm	SCALE: 2.500																																						
		SHEET 2 OF 4																																						